

**UNIVERSAL CONTACTOR SUPPRESSOR**

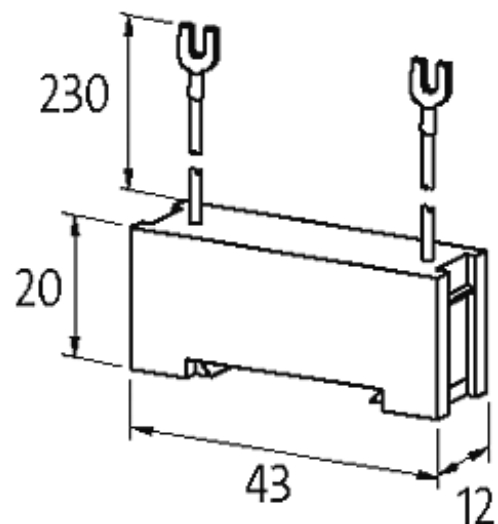
RC, 230VAC/DC/25VA/W

230 V AC/DC

RC

ASA adapter Art.-No. 20900 (included)

For other configurations and voltages, please inquire without accessories, can be directly snapped onto DIN-rail, ASA adapter Art.-No. 20900 included.

[Link to Product](#)**Illustration**



RC

Product may differ from Image

### Approvals



### Appropriate contactors

universal

### Technical Data

|                  |   |
|------------------|---|
| Damping factor   | approx. 1.5 × UN                        |
| Material         | Flame retardant plastic acc. to (UL 94) |
| Connection wires | self-securing cable forks               |
| Max. power (W)   | 25 W(VA)                                |

### General data

|                      |                                       |
|----------------------|---------------------------------------|
| Temperature range    | -20...+70 °C                          |
| Mounting method      | ASA adapter Art.-No. 20900 (included) |
| Dimensions H × W × D | 20×43×12 mm                           |

### Commercial data

|                        |          |
|------------------------|----------|
| country of origin      | CZ       |
| customs tariff number  | 85363010 |
| minimum order quantity | 1        |