

MST 1-PHASE CONTROL AND ISOLATION TRANSFORMER

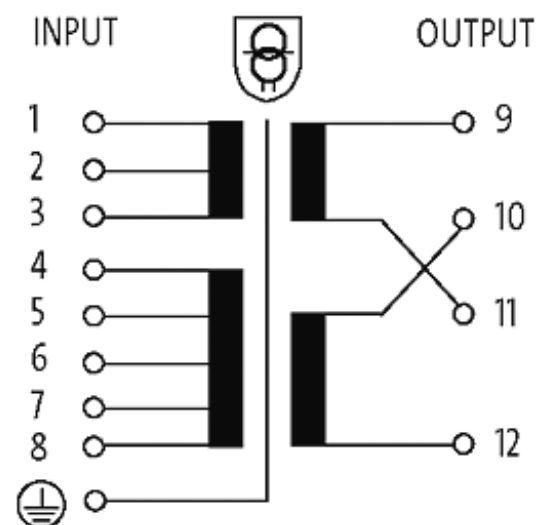
P: 5000VA IN: 208...550VAC OUT: 2x115VAC

Single-phase - Control and Isolation Transformers
5000 VA
Isolation class T 40/B

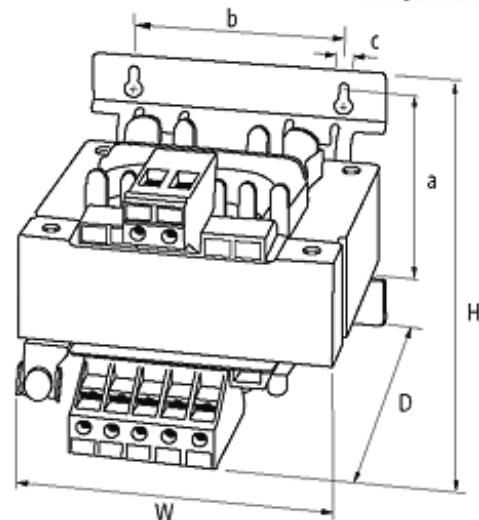
Other voltages on request.

[Link to Product](#)

Illustration



stay connected



Product may differ from Image

Approvals



Input

Input voltage	208, 230, 380, 400, 420, 440, 460, 480, 500, 525, 550 V AC
Input current	25.4 A (208 V AC); 9.6 A (550 V AC)
Inrush current	378 A (208 V AC); 143 A (550 V AC)
Short-circuit current	1362 A (208 V AC); 515 A (550 V AC)
Frequency	50...60 Hz

General data

Standards	(EN 61558-2-4), (EN 62041 category 0)
Test isolation voltage	5.1 kV (prim./sec.)
Mounting method	4 hole screw mounting
Dimensions H × W × D	248×197×250 mm
Fixing centers a × b × c	200×174×9 mm
Drill hole Ø	9×14 mm
Temperature range	-20...+40 °C (storage temperature -40...+80 °C)

Output

Output voltage	2 × 115 V AC/230 V AC
----------------	-----------------------

Commercial data

country of origin	CZ
customs tariff number	85043200
minimum order quantity	1