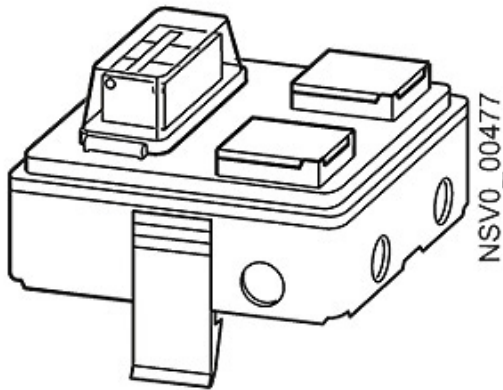


BD2-AK1/2SD163FIA161 TAP-OFF UNIT 16A / 2X1P
MCB(B)+ + 2P FI + 2XSD



Model		
Product designation		tap-off unit for BD2 busbar trunking system
Protection class		
Protection class IP		IP54
Main circuit		
Operating frequency / Rated value		
• minimum	Hz	50
• maximum	Hz	60
Operating voltage / with AC		
• at 50 Hz / Rated value / maximum	V	230
• at 60 Hz / Rated value / maximum	V	230
Operating current		
• for circuit 1 / with AC / at 50 Hz / Rated value / maximum	A	16
• for circuit 1 / with AC / at 60 Hz / Rated value / maximum	A	16
Tap-off points		
Outgoing unit version		socket
Design of short-circuit and overloading protection / in the outgoing unit		1x1-pole miniature circuit breaker 16A and 2-pole RCCB 25A/30mA
Size of the outgoing feeder		1
Number of poles / of the outgoing feeder		5
Mechanical Design		
Height	mm	180

Width	mm	170
Length	mm	190
Number of width units		4
Product component / Locking mechanism		Yes

General Product Approval



Further information

Information- and Downloadcenter (Catalogs, Brochures,...)

<http://www.siemens.com/lowvoltage/catalogs>

Industry Mall (Online ordering system)

<https://eb.automation.siemens.com/mall/en/WW/Catalog/Product/BVP:660870>

Service&Support (Manuals, Certificates, Characteristics, FAQs,...)

<http://support.automation.siemens.com/WW/view/en/BVP:660870/all>

Image database (product images, 2D dimension drawings, 3D models, device circuit diagrams, ...)

http://www.automation.siemens.com/bilddb/cax_en.aspx?mlfb=BVP:660870

CAX-Online-Generator

<http://www.siemens.com/cax>

Tender specifications

<http://ausschreibungstexte.siemens.com/tiplv>

last modified:

11.03.2015