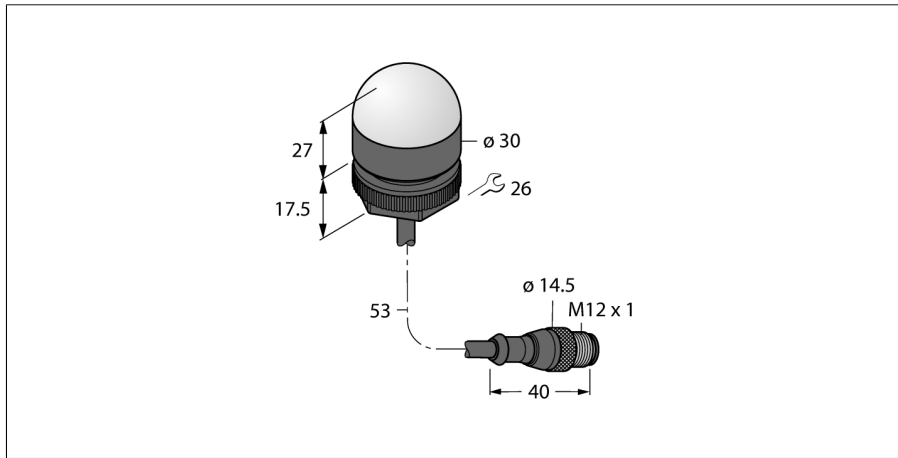
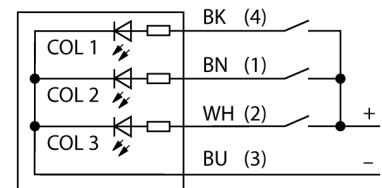


**LED indicator
Beacon
K30LGXXPQTASK**



- LED all-round visible
- Individually controllable
- Mechanical screw-in thread M22x1.5
- Protection class IP67
- Monochrome: Green (COL 1)
- Cable with male end M12 x 1
- Operating voltage 10...30 VDC

Wiring Diagram



Type designation	K30LGXXPQTASK
Ident no.	3013225
Purpose	LED indicator light
Operating mode	Spotlight
Design	Cylinder, threaded
Connector designation	K30L
Housing material	Plastic, PC
Window material	Plastic, diffuse
Electrical connection	Cable with connector, M12 (←) 1, 4-wire
Cable length	0.15 m
Cable Jacket Material	PVC
Protection class	IP67/IP69K
Ambient temperature	-40...+50 °C
MTTF	626 years acc. to SN 29500 (Ed. 99) 40 °C
Approvals	CE
Operating voltage	10...30 VDC
DC rated operational current	≤ 25 mA
Response time typical	< 1 ms
Light type	green

**LED indicator
Beacon
K30LGXXPQTASK**

Accessories

Type code	Ident no.	Description	
SMB22A	3079414	Mounting bracket, stainless steel, for K30L series	