

**PLEASE CHECK WWW.MOLEX.COM FOR LATEST PART INFORMATION**

**Part Number:** [0734040140](#)  
**Status:** **Active**  
**Overview:** [SMB RF Connectors](#)  
**Description:** 75 Ohms, SMB Air Dielectric, Bulkhead Edge Mount Jack Receptacle

**Documents:**

[Drawing \(PDF\)](#) [RoHS Certificate of Compliance \(PDF\)](#)

**General**

Product Family	RF/Coax Connectors
Series	<a href="#">73404</a>
Comments	Surface Mount
Overview	<a href="#">SMB RF Connectors</a>
Product Name	SMB
Style	PCB
Type	Subminiature
UPC	800756106465
Wire/Cable Type	N/A

**Physical**

Gender	Jack
Keying to Mating Part	None
Net Weight	1.668/g
Orientation	Straight
PCB Mounting	Edge Mount
Packaging Type	Tray
Panel Mount	Yes
Panel Mount Method	Bulkhead
Reverse Polar	No

**Electrical**

Frequency	4 GHz
Impedance	75Ω
Power / Voltage	VOLTAGE: 335 Vrms@Sea Level

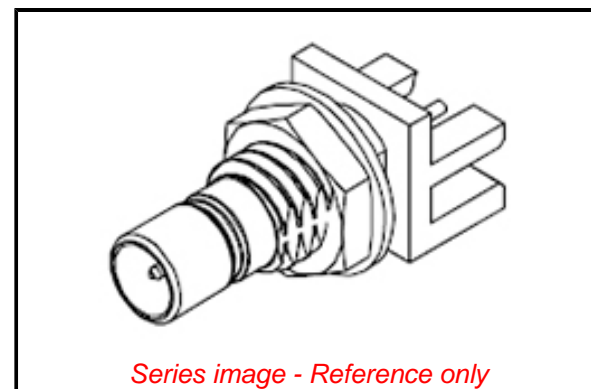
**Solder Process Data**

Duration at Max. Process Temperature (seconds)	010
Lead-freeProcess Capability	REFLOW
Max. Cycles at Max. Process Temperature	002
Process Temperature max. C	260

**Material Info**

**Reference - Drawing Numbers**

Sales Drawing	SD-73404-014
---------------	--------------



*Series image - Reference only*

**EU ELV**

**Not Relevant**

**EU RoHS**

**Not Reviewed**

**REACH SVHC**

Not Contained Per -  
ED/30/2017 (7 July  
2017)

**Halogen-Free**

**Status**

**Low-Halogen**

For more information, please visit [Contact US](#)

China ROHS

ELV

RoHS Phthalates

**China RoHS**

50 Image

Not Relevant

Not Contained

**Search Parts in this Series**

[73404 Series](#)