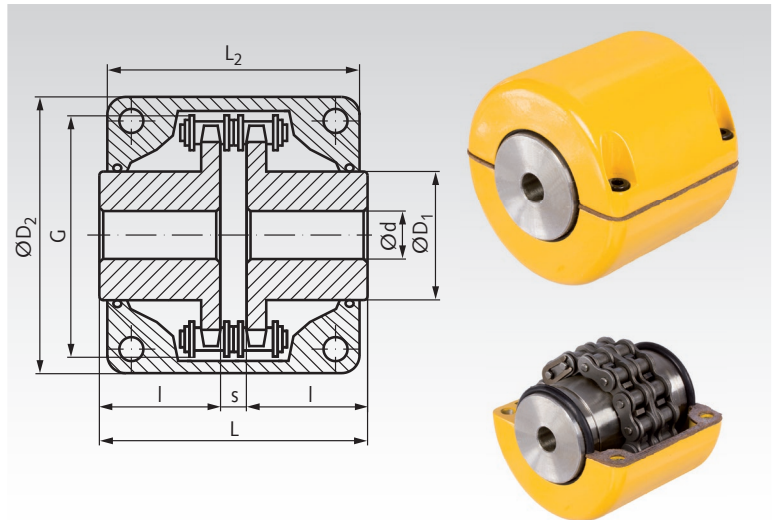


Chain Couplings with Casing

Material: Chain wheels made from steel, teeth hardened.
Chain with clip link made from steel.
Casing made from aluminium, yellow painted, with o-ring-seals.

- Elastic transmission of torque.
- Compensation of large shaft misalignment.
- Fast declutching by simply loosening the chain.
- Axial shaft movement is allowed.
- Not for strong shocks recommend.

The chain wheels are pre-bored. Customized bores, featherkeys and setscrew threads against extra charge.
At mounting, the casing has to be filled with grease.
Temperature range: -30°C to +120°C.



Ordering Details: e.g.: Product No. 140 330 12, Chain Coupling Type 3012

Product No. Coupling complete	Type	Chain- size DIN	Torque		Speed max. min ⁻¹	d mm	d _{max.} mm	D ₁ mm	D ₂ mm	G mm	L mm	L ₂ mm	l mm	s mm	Weight kg	Product No. spare part Chain	Weight kg
			Nom. Nm	Peak Nm													
140 330 12	3012	06 B-2	45	190	5000	12	16	27,2	69	45	65,0	63	29,5	6,0	0,53	140 331 12	0,09
140 340 12	4012	08 A-2	110	249	4800	12	22	36	77	62	79,4	72	36,0	7,4	1,03	140 341 12	0,18
140 340 14	4014	08 A-2	150	329	4800	12	28	45	84	69	79,4	75	36,0	7,4	1,43	140 341 14	0,21
140 340 16	4016	08 A-2	180	419	4800	13,5	32	51,5	92	77	87,4	75	40,0	7,4	1,85	140 341 16	0,24
140 350 14	5014	10 A-2	250	620	3600	14,5	35	56	101	86	99,7	85	45,0	9,7	2,62	140 351 14	0,43
140 350 16	5016	10 A-2	300	791	3600	14,5	40	64	111	96	99,7	85	45,0	9,7	3,25	140 351 16	0,49
140 350 18	5018	10 A-2	380	979	3000	16	45	73,5	122	106	99,7	85	45,0	9,7	4,20	140 351 18	0,55
140 360 18	6018	12 A-2	630	1810	2500	20	56	89,5	147	127	123,5	105	56,0	11,5	7,75	140 361 18	0,99
140 360 20	6020	12 A-2	770	2210	2500	20	60	102,5	160	139	123,5	105	56,0	11,5	9,58	140 361 20	1,11

Chain Couplings

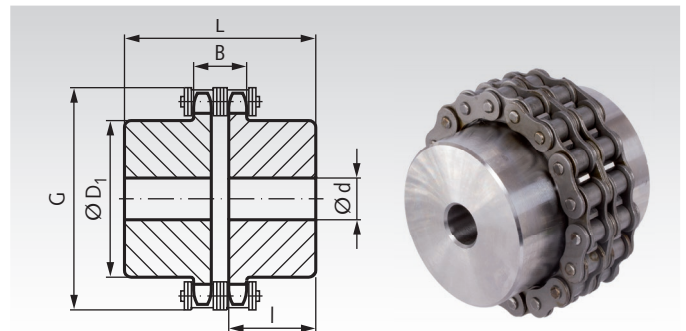
Material: Steel, with double-strand chain DIN ISO 606 (formerly DIN 8187).

The couplings are delivered assembled or unassembled.
The chain is packed separately. Number of teeth = 18.

- Elastic transmission of torque.
- Compensation of large shaft misalignment.
- Fast declutching by simply loosening the chain.
- Axial shaft movement is allowed.
- Not for strong shocks recommend.

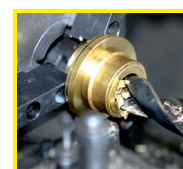
The chain wheels are pre-bored. Customized bores, featherkeys and setscrew threads against extra charge.
Temperature range: -30°C to +220°C.

Ordering Details: e.g.: Product No. 140 301 00, Chain Coupling 06 B-2



Product No.	DIN-ISO	Nominal* Torque Nm	Moment of Inertia GD ² kgm ²	P/n* max. kW/min ⁻¹	n max. min ⁻¹	d min. mm	D ₁ Ø mm	l mm	B mm	Max. Space required		Weight kg
										G mm	L mm	
140 301 00	06 B-2	95	0,00117	0,0097	6000	12	45	25	15,2	63,9	55	0,78
140 304 00	08 B-2	240	0,00474	0,0246	5500	15	60	32	20,7	86	71	1,83
140 308 00	10 B-2	380	0,013	0,039	4500	15	75	35	25	107	78	3,21
140 312 00	12 B-2	600	0,0301	0,0616	3000	25	90	40	29,5	126,5	89,5	4,97
140 316 00	16 B-2	1480	0,158	0,1519	2500	30	120	60	46,7	170	137	12,30

* Selection according to the ratio of driving power to speed (P/n), the nominal torque must not be exceeded (incl. operating factor).



**Reworking within
24h-service possible.
Custom made parts
on request.**