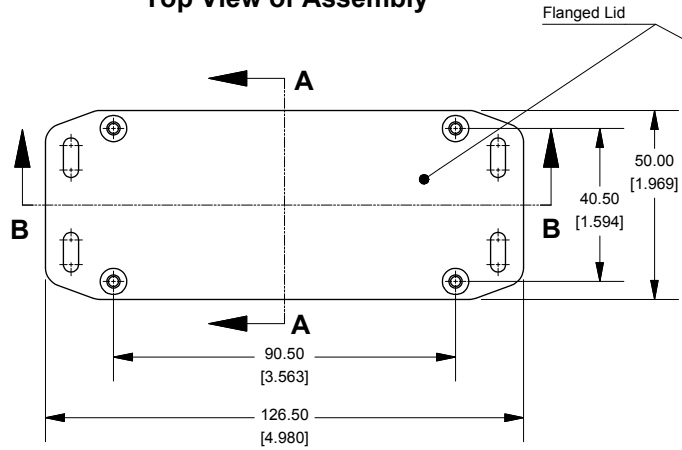
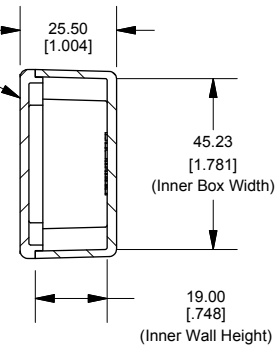


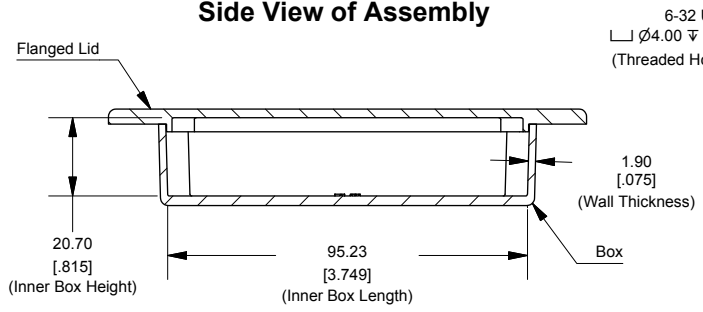
### Top View of Assembly



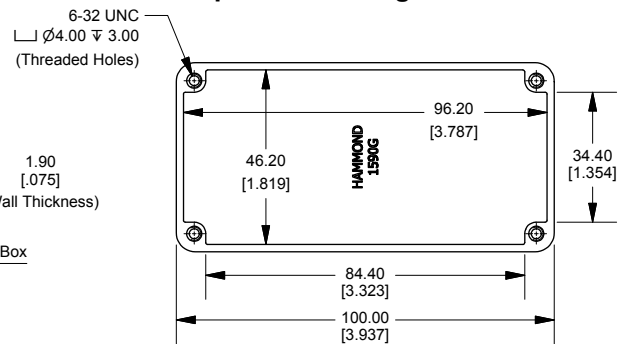
### SECTION A-A End View of Assembly



### SECTION B-B Side View of Assembly



### Top View Looking Inside Box



Enclosures can be Factory Modified ( Milling, Drilling, Printing etc.)  
 Contact Factory [mjm@hammondmfg.com](mailto:mjm@hammondmfg.com) for quotes  
 Solid models of this enclosure available in STEP or IGES.

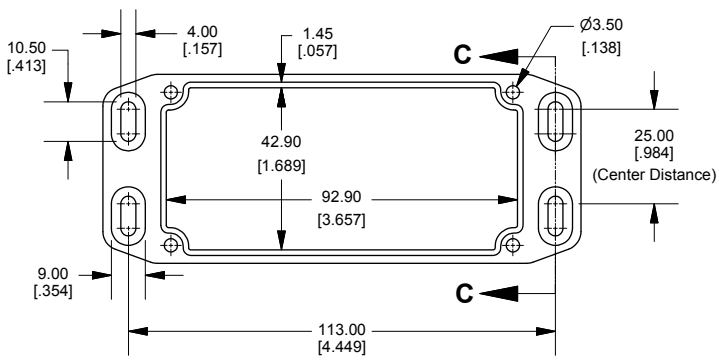
#### NOTE

Purchased assembly includes box, lid and 4 cover screws.  
 Box and lid are made from Diecast Aluminum Alloy.  
 Silicone Gasket supplied with liquid resistant enclosure.

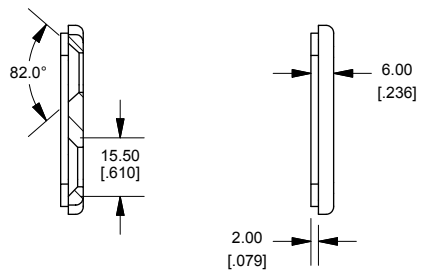
#### PART NUMBERS

<b>1590GFL Enclosure</b>	
Natural Finish Enclosure	1590GFL
Black Textured Enclosure	1590GFLBK
<b>1590GFL Liquid Resistant Enclosure (Silicone Gasket)</b>	
Natural Finish Enclosure	1590W GFL
Black Textured Enclosure	1590W GFLBK
<b>ACCESSORIES</b>	
<b>Recommended Torque: 75 ozf.in / 55 cN.m</b>	
<b>Liquid Resistant Cover Screws</b>	
Stainless Steel Cover Screws (Pkg 100) [6-32 x 1/2" With O-Ring]	1590W MS100
Black Stainless Steel Cover Screws (Pkg 100) [6-32 x 1/2" With O-Ring]	1590W MS100BK
<b>Standard Cover Screws</b>	
Plated Cover Screws (Pkg 100) [6-32 x 1/2"]	1590MS100
Black Cover Screws (Pkg 100) [6-32 x 1/2"]	1590MS100BK

### Flanged Lid



### SECTION C-C Side of Slot



Dimensions:  
 mm  
 [inches]

**HAMMOND  
MANUFACTURING™**  
**1590GFL**  
[www.hammondmfg.com](http://www.hammondmfg.com)