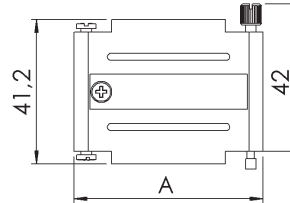
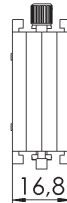
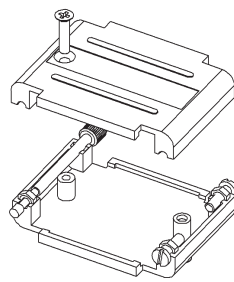
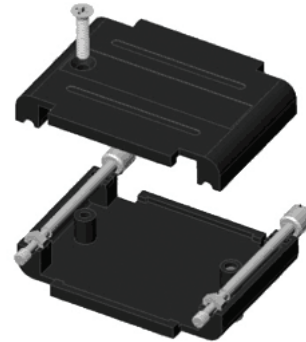


Adaptor Hoods DAPK Series

TECHNICAL SPECIFICATIONS

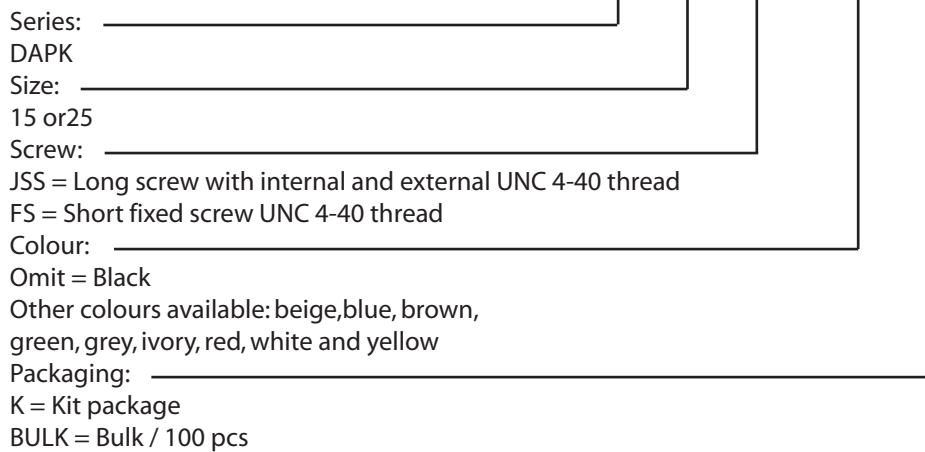
Material:	Polycarbonate UL94 V0
Temp. range:	-55°C - 105°C
Adapter:	D-Sub15 to D-Sub15 D-Sub25 to D-Sub25
Locking screws:	Long jackscrews with internal and external thread or short fixed screws with UNC 4-40 thread
Colour:	Black as standard, other colours upon request



TYPE	A
DAPK15	40,8
DAPK25	54

PART NUMBERING SYSTEM

DAPK25 - JSS - - K



FEATURES

- Available in sizes 15- and 25-way
- Designed for gender changer, internal pcb or jumper
- Light weight and cost effective
- Compact and attractive design
- Suitable for any common D-Sub connector
- Company logotype available upon request
- For custom designed solutions, please consult factory