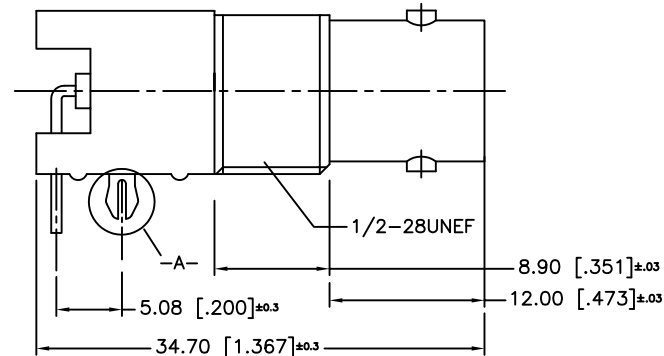
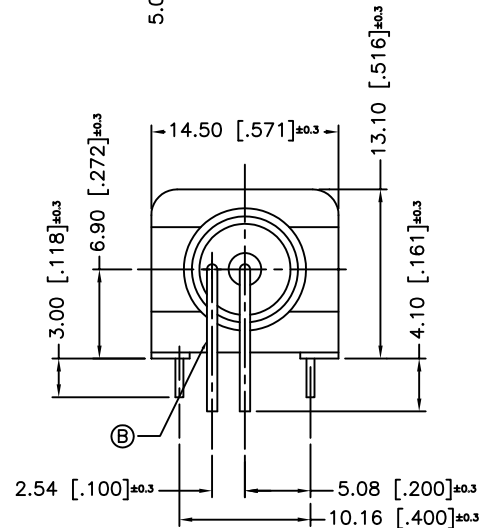
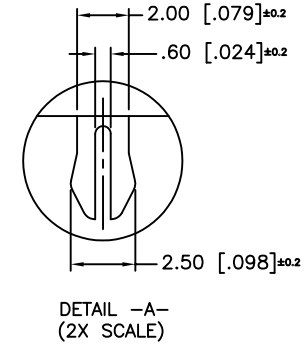
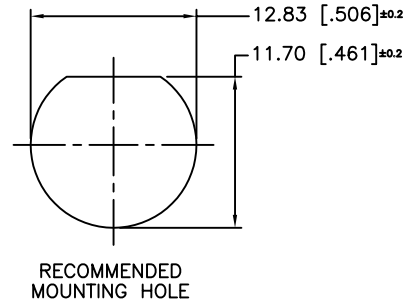
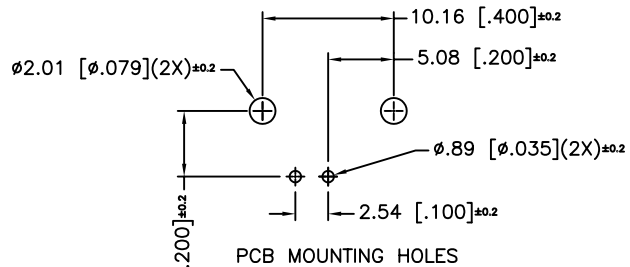


REV.	DATE	ECR NO	DESCRIPTION
A	03/21/04	--	UPDATE DRAWING FORMAT/ MODIFY BODY
Ⓑ	06/28/07	--	REVISE BACK HOUSING SHOWING CONTACT PINS CAPTIVATED
C	02/05/10	2012	HARDWARES REMOVED



NOTE:

1. MAX. PANEL THICKNESS = 5mm

DESCRIPTION	MATERIAL	FINISH	QTY	UNLESS OTHERWISE SPECIFIED DIMENSIONS ARE IN MILLIMETERS. DIMENSIONS IN [] ARE IN INCHES AND FOR CUSTOMER REFERENCE ONLY.	APPROVALS	DATE	Amphenol Connex							
5	MOUNTING POST	BRASS	TIN PLATE	1	UNLESS OTHERWISE SPECIFIED TOLERANCES FOR MILLIMETERS ARE: 0.5 - 8mm ± 0.20mm 8 - 30mm ± 0.40mm 30 - 120mm ± 0.50mm UNLESS OTHERWISE SPECIFIED TOLERANCES FOR INCHES ARE: .020 - .315 = ± 0.007" .315 - 1.180 = ± 0.015" 1.180 - 4.724 = ± 0.020" DO NOT SCALE DRAWING	DRAWN	CLEMENT	02/05/10	PART DESCRIPTION					
4	CONTACT PIN	PHOS. BRONZE	GOLD	1		CHECKED		BNC R/A PC MOUNT RECEPT. JACK						
3	INSULATOR	P.P.	NATURAL	1		ISSUED		PART NO.						
2	BODY	ZINC DIE CAST	NICKEL	1		SHEET	1 OF 1	112417						
1	HOUSING	P.B.T.	WHITE	1		CAD FILE	C:/112/112417.DWG	DWG. NO.	112417.DWG	REV.	C	SIZE	A	SCALE