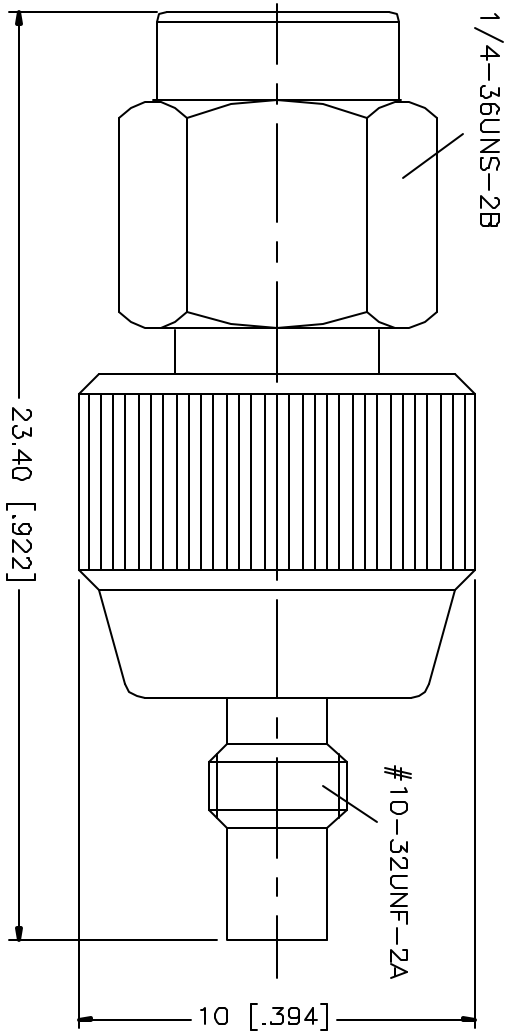


REV.	DATE	DESCRIPTION
A	12/16/01	MODIFY PART DESCRIPTION



DESCRIPTION	MATERIAL	FINISH	UNLESS OTHERWISE SPECIFIED DIMENSIONS ARE IN MILLIMETERS	APPROVALS	DATE	TITLE
1 BODY	BRASS	NICKEL	DIMENSIONS IN [] ARE IN INCHES FOR CUSTOMER REFERENCE ONLY	DRAWN	12/16/01	<p style="text-align: center;">comnex Connector Corporation</p> <p>SMA PLUG TO SMC JACK ADAPTOR</p>
2 INSULATOR	TEFLON	NATURAL	UNLESS OTHERWISE SPECIFIED TOLERANCES FOR MILLIMETERS ARE	CHECKED		
3 CONTACT PIN	BER. COPPER	GOLD	0.5-6 = ± 0.2	ISSUED		
4			8-30 = ± 0.4			
5			30-120 = ± 0.6			
6			120-315 = ± 1			
7			315-1000 = ± 1.6			
8			1000-2000 = ± 2.4			

SIZE	FORM NO	DWG NO.	REV
A	99001	242174.DWG	A
SCALE	PART NO	SHEET	
NA	242174	1 OF 1	