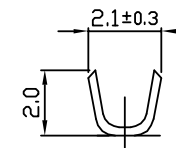


Section A-A

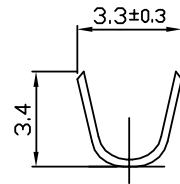
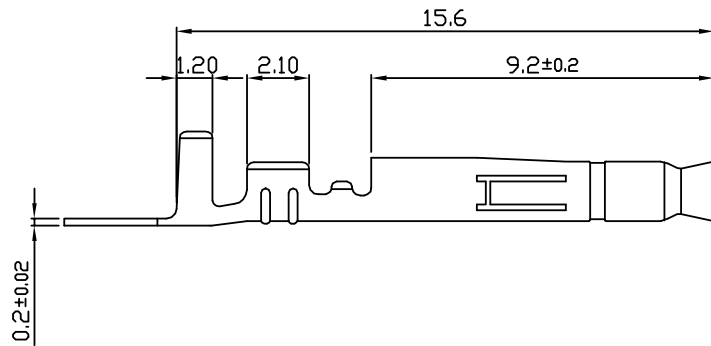
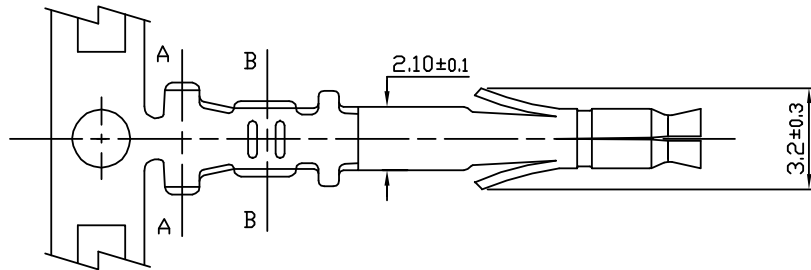


Section B-B

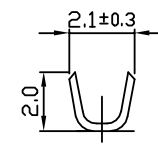
Specifications & Ordering Information:

Thickness	Material	Finish	Applicable Wire Range	Qty/reel	Suitable Housing
0.2	Brass	Tin-Plating	AWG: #20~#24	6.000 PCS	SM 1300W-02(ML)

PRODUCT NO.	REVISION	DATE	DESCRIPTION	UNIT: mm	DRAWING	CHECKED	APPROVAL
TERMINAL	A	8.23.1999	NEW DRAWING	TOLERANCE :			
PART NO				.000 :±0.08			
1011T ML				.00 :±0.13			
				.0 :±0.25			



Section A-A



Section B-B

Specifications & Ordering Information:

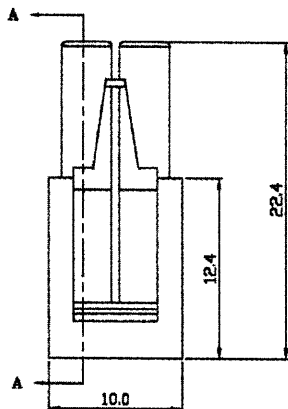
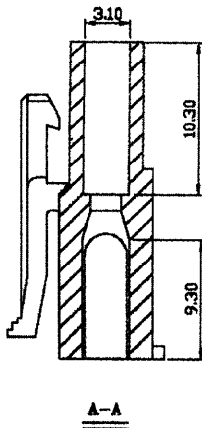
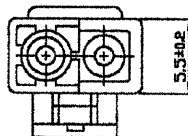
Thickness	Material	Finish	Applicable Wire Range	Qty/reel	Suitable Housing
0.2	Brass	Tin-Plating	AWG: #20~#24	6,000 PCS	SM 1300H-02 ML

PRODUCT NO.	REVISION	DATE	DESCRIPTION	UNIT: mm	DRAWING	CHECKED	APPROVAL
TERMINAL	A	8.17.1999	NEW DRAWING	TOLERANCE :			
PART NO				.000 :±0.08			
1012T ML				.00 :±0.13			
				.0 :±0.25			

1300H-02 (ML)

Specifications:

- Poles: 2 Poles
- Material: Nylon UL94V-0



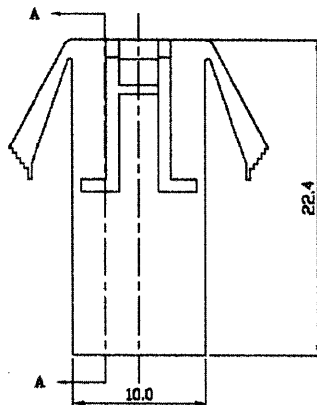
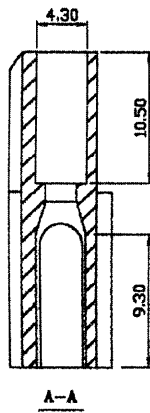
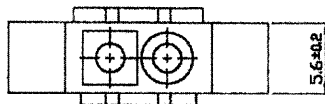
PRODUCT NO.	REVISION	DATE	DESCRIPTION	UNIT: mm
HOUSING	A	8.20.1998	NEW DRAWING	TOLENANCE : .000 ±0.08
PART NO				.00 ±0.13
				.0 ±0.25

DRAWING	CHECKED	APPROVAL
劉	陳	1998.8.20
劉	陳	88.8.20

1300W-02 ML

Specifications:

- Poles: 2 Poles
- Material: Nylon UL84V-0



PRODUCT NO.	REVISION	DATE	DESCRIPTION	UNIT: mm	DRAWING	CHECKED	APPROVAL
HOUSING	A	8.20.1988	NEW DRAWING	TOLERANCE :			
PART NO				.000 :±0.08			
				.00 :±0.13			
				.0 :±0.25			