

1052634-1 ✓ ACTIVE



AMP SMA

TE Internal #: 1052634-1

AMP SMA, RF Connector Launchers, SMA, Cable-to-Board, 1
Position, Wire & Cable, Product Length 9.53 mm [.375 in], Panel
Mount, Panel Mount Feature

[View on TE.com >](#)

Connectors > RF Coax Connectors > RF Coax Accessories > RF Connector Launchers



RF Connector Type: **SMA**

Connector System: **Cable-to-Board**

Number of Positions: **1**

Sealable: **No**

Connector & Contact Terminates To: **Wire & Cable**

Features

Product Type Features

RF Connector Type	SMA
Connector System	Cable-to-Board
Sealable	No
Connector & Contact Terminates To	Wire & Cable

Configuration Features

Number of Positions	1
---------------------	---

Electrical Characteristics

Insulation Resistance	5000 M Ω
Impedance	50 Ω

Body Features

Body Style	Straight
Body Plating Finish	Passivated
Body Material	Stainless Steel



Contact Features

RF Connector Contact Configuration	Captivated Contacts
RF Connector Center Contact Plating Material	Gold
RF Connector Center Contact Material	Beryllium Copper

Mechanical Attachment

Panel Attachment Style	Rear Mount
RF Contact Captivation Method	Mechanical
Connector Mounting Type	Panel Mount
Panel Mount Feature	With
Panel Mount Feature Type	Flanged

Dimensions

Pin Diameter Accepted	.46 mm[.018 in]
Product Length	9.53 mm[.375 in]

Usage Conditions

Operating Temperature Range	-65 – 165 °C[-85 – 329 °F]
-----------------------------	----------------------------

Other

Comment	EMI/RFI Gasket, Field replaceable., Hermetic Terminals
Number of Panel Mounting Holes	2
Dielectric Material	TFE Fluorocarbon

Product Compliance

[For compliance documentation, visit the product page on TE.com>](#)

EU RoHS Directive 2011/65/EU	Compliant with Exemptions
EU ELV Directive 2000/53/EC	Compliant with Exemptions
China RoHS 2 Directive MIIT Order No 32, 2016	Restricted Materials Above Threshold
EU REACH Regulation (EC) No. 1907/2006	Current ECHA Candidate List: JAN 2021 (211) Candidate List Declared Against: JAN 2021 (211) SVHC > Threshold: Pb (.6% in Component Part) Article Safe Usage Statements: Do not eat, drink or smoke when using this product. Wash thoroughly after handling. Recycle if possible and dispose of the article by following all applicable governmental regulations relevant to your geographic location.
Halogen Content	Low Bromine/Chlorine - Br and Cl < 900 ppm per homogenous material. Also BFR



/CFR/PVC Free

Solder Process Capability

Not applicable for solder process capability

Product Compliance Disclaimer

This information is provided based on reasonable inquiry of our suppliers and represents our current actual knowledge based on the information they provided. This information is subject to change. The part numbers that TE has identified as EU RoHS compliant have a maximum concentration of 0.1% by weight in homogenous materials for lead, hexavalent chromium, mercury, PBB, PBDE, DBP, BBP, DEHP, DIBP, and 0.01% for cadmium, or qualify for an exemption to these limits as defined in the Annexes of Directive 2011/65/EU (RoHS2). Finished electrical and electronic equipment products will be CE marked as required by Directive 2011/65/EU. Components may not be CE marked. Additionally, the part numbers that TE has identified as EU ELV compliant have a maximum concentration of 0.1% by weight in homogenous materials for lead, hexavalent chromium, and mercury, and 0.01% for cadmium, or qualify for an exemption to these limits as defined in the Annexes of Directive 2000/53/EC (ELV). Regarding the REACH Regulation, the information TE provides on SVHC in articles for this part number is based on the latest European Chemicals Agency (ECHA) 'Guidance on requirements for substances in articles' posted at this URL: <https://echa.europa.eu/guidance-documents/guidance-on-reach>

Compatible Parts

TE Part # 1051644-1
2031 5003 02

TE Part # 1050548-1
2001 5032 02

TE Part # 1050525-1
2001 5003 02,SMA CABLE PLUG

TE Part # 1051151-1
2007 7941 02,SMA RA CABLE PLUG

TE Part # 1051638-1
2031 5002 00

TE Part # 1052067-1
2037 5006 02,SMA RA CABLE PLUG

TE Part # 1052076-1
2037 5008 02

TE Part # 1056456-1
2837 7316 02

TE Part # 1056462-1
2837 7388 02

TE Part # 1051157-1
2007 7985 02,SMA RA CABLE PLUG

TE Part # 1055331-1
2098 3251 94

TE Part # 1055331-2
Hermetic Connectors

Also in the Series | **AMP SMA**



Battery Holders(1)



Between Series Adapters(3)



Coax Contacts(1)



Coax Terminators(1)



In-Series Adapters(35)



Rack & Panel Ferrules & Inserts(1)



RF Cable Assemblies(2)



RF Connector Hardware(2)



RF Connector Launchers(13)

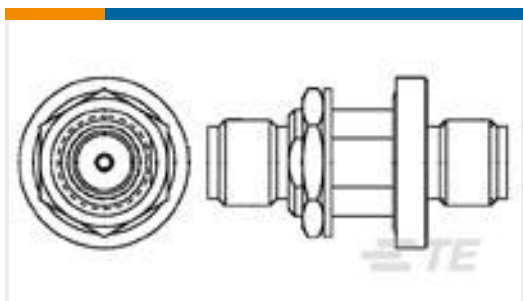


RF Connector Shrouds(10)



RF Connectors(527)

Customers Also Bought



TE Part #1054874-1
2084 1100 00



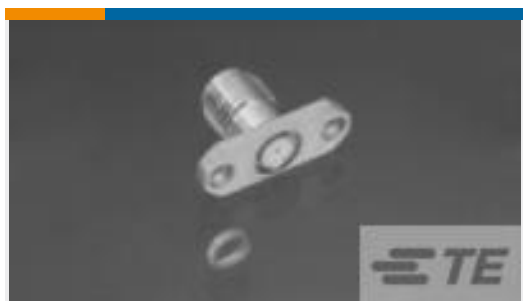
TE Part #1052566-1
2052 1618 02,SMA FM JACK RECPT



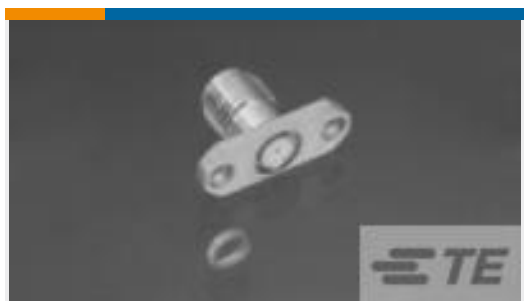
TE Part #1-480705-0
06P UMNL CAP HSG NATL



TE Part #1052523-1
2052 1201 02,SMA FM JACK RECPT



TE Part #1052628-1
2052 3354 02,OSM JACK KIT



TE Part #1052689-1
2052 3502 02,SMA JACK RECPT



TE Part #1-480704-0
06P UMNL PLUG HSG NATL



TE Part #1052646-1
2052 3359 02

TE Part #1052518-1
2052 1200 02TE Part #646502-6
2MM HM DUST PROTECTOR 3U
CARD

Documents

Product Drawings

[2052 3356 02](#)

English

CAD Files

[3D PDF](#)

3D

Customer View Model

[ENG_CVM_1052634-1_A.3d_igs.zip](#)

English

Customer View Model

[ENG_CVM_1052634-1_A.3d_stp.zip](#)

English

Customer View Model

[ENG_CVM_1052634-1_A.2d_dxf.zip](#)

English

[3D PDF](#)

English

Customer View Model

[ENG_CVM_CVM_1052634-1_A.2d_dxf.zip](#)

English

Customer View Model

[ENG_CVM_CVM_1052634-1_A.3d_igs.zip](#)

English

Customer View Model

[ENG_CVM_CVM_1052634-1_A.3d_stp.zip](#)

English

By downloading the CAD file I accept and agree to the [Terms and Conditions](#) of use.

Datasheets & Catalog Pages

[SMA Connectors](#)

English