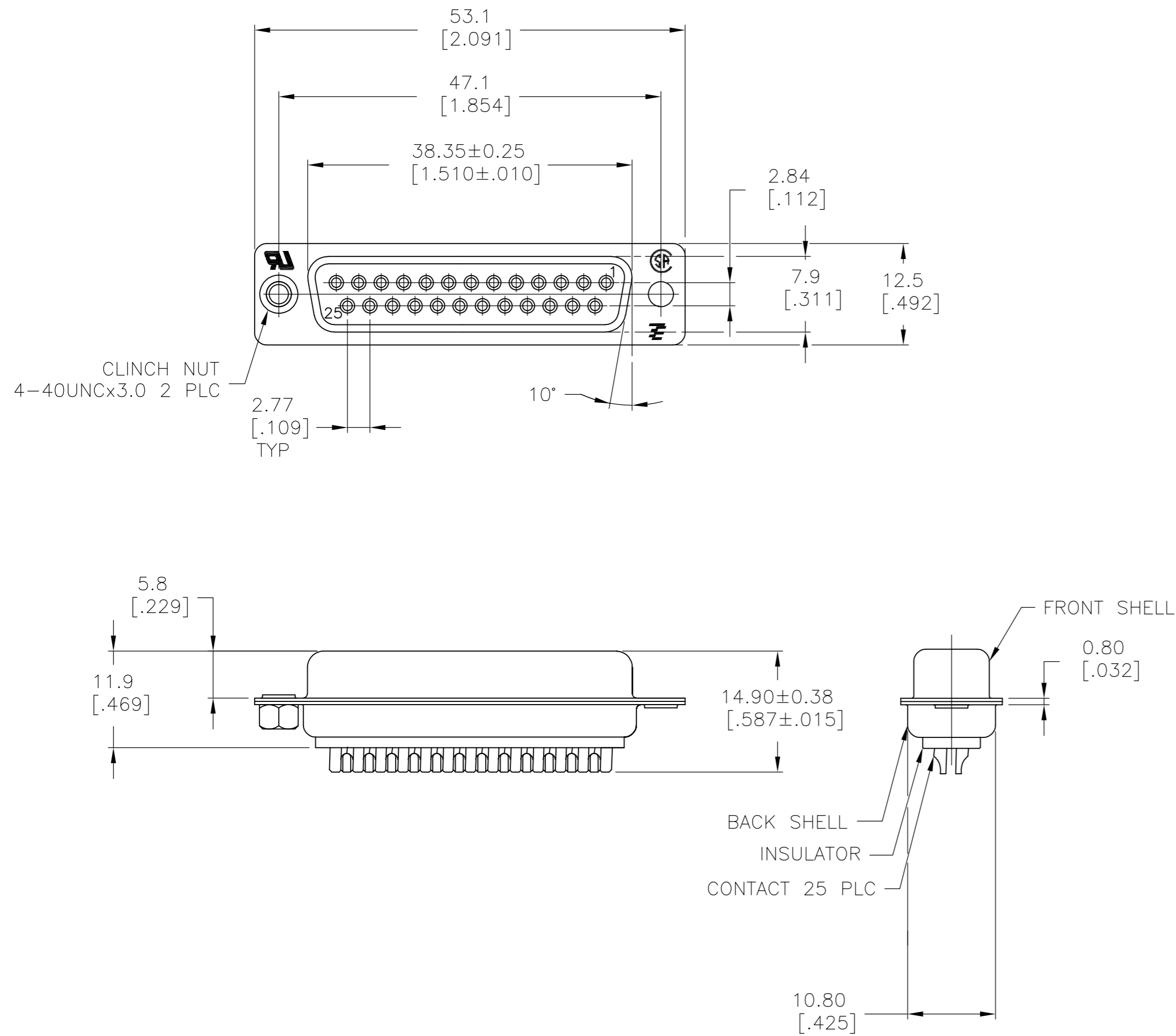


THIS DRAWING IS UNPUBLISHED. RELEASED FOR PUBLICATION
 © COPYRIGHT - By - ALL RIGHTS RESERVED.

| LOC | | DIST | | REVISIONS | | | |
|-----|-----|-------------|---------------------------|-----------|-----------|------|----|
| P | LTR | DESCRIPTION | | DATE | DWN | APVD | |
| GP | 00 | AA | REVISED PER ECO-14-002311 | | 17FEB2014 | BM | DG |



- 1 MATERIAL:
 FRONT INSULATOR: PBT, 30 %GF, UL94V-0, BLACK COLOR
 BACK INSULATOR: PBT, 30 %GF, UL94V-0, BLACK COLOR
 CONTACT: BRASS
 FRONT SHELL: STEEL
 BACK SHELL: STEEL
 CLINCH NUTS: BRASS
- 2 FINISH:
 CONTACT: GOLD PLATING 0.00002[.0000008] MIN ON CONTACT AREA 0.00229 [.000090] MIN TIN-LEAD PLATING ALL OVER 0.00127[.000050] MIN NICKEL
- 3 CONTACT: GOLD PLATING 0.00076[.000030] MIN ON CONTACT AREA 0.00229 [.000090] MIN TIN-LEAD PLATING ALL OVER 0.00127[.000050] MIN NICKEL
- 4 SHELL: BRIGHT TIN 0.0241[.000095] MIN FULL SHELL
- 5 SHELL: BLUE ZINC: 0.00508[.000200] - 0.00762[.000300] OVER ENTIRE SHELL
- 6 CONTACT: GOLD PLATING 0.00002[.0000008] MIN ON CONTACT AREA 0.00229 [.000090] MIN HOT DIPPED TIN-COPPER PLATING ALL OVER 0.00127[.000050] MIN NICKEL
- 7 CLINCH NUTS: NICKEL PLATING .00305-.00508[.000120-.000200]
- 8 SPECIFICATION
 ELECTRICAL CHARACTERISTICS: CURRENT RATING: 3 AMPERES
 DIELECTRIC WITHSTANDING VOLTAGE: AC 1000V r.m.s
 INSULATION RESISTANCE: 5000 MEGOHMS MINIMUM AT DC 500V
 CONTACT RESISTANCE: 10 MILLIOHMS MAXIMUM.
- 9 ROHS 2002/95/EC COMPLIANT
- 10 RECEPTACLE ASSEMBLY MATES WITH ANY 25 POSITION PLUG IN AMPLIMITE SERIES
- 11 SOLDER CUP WILL ACCOMMODATE 20 MAX AWG WIRE.
- 12 CONTACT: GOLD PLATING 0.00076[.000030] MIN ON CONTACT AREA 0.00229[.000090] MIN HOT DIPPED TIN-COPPER ALL OVER 0.00127[.000050] MIN NICKEL PLATING

| | | | | | | | |
|--------------------------|----------------|----------|-----|-------------|----------|------------|----------|
| 9 | OBSOLETE | STANDARD | NO | 12 | 5 | 5-747913-6 | |
| 9 | OBSOLETE | STANDARD | NO | 6 | 5 | 5-747913-4 | |
| 9 | OBSOLETE | STANDARD | YES | 6 | 4 | 5-747913-9 | |
| | | STANDARD | NO | 12 | 4 | 5-747913-5 | |
| | | STANDARD | NO | 6 | 4 | 5-747913-2 | |
| SUPERSEDED TO 5-747913-9 | | STANDARD | YES | 2 | 4 | 747913-9 | |
| SUPERSEDED TO 5-747913-2 | | STANDARD | NO | 6 | 4 | 747913-8 | |
| SUPERSEDED TO 5-747913-6 | | STANDARD | NO | 2 | 5 | 747913-6 | |
| SUPERSEDED TO 5-747913-5 | | STANDARD | NO | 3 | 4 | 747913-5 | |
| SUPERSEDED TO 5-747913-4 | | STANDARD | NO | 2 | 5 | 747913-4 | |
| SUPERSEDED TO 5-747913-2 | | STANDARD | NO | 2 | 4 | 747913-2 | |
| | PACKAGING TYPE | | 7 | CLINCH NUTS | CONTACTS | SHELLS | PART NO. |

| | | | | | | | |
|--|--------|------------------|-----------|--|------|--|--|
| THIS DRAWING IS A CONTROLLED DOCUMENT. DIMENSIONING AND TOLERANCING PER ASME Y14.5M-2009 | | DWN | M.BINNER | 04MAR03 | | | |
| DIMENSIONS: mm [INCHES] | | CHK | R.BENDORF | 05MAR03 | | | |
| TOLERANCES UNLESS OTHERWISE SPECIFIED: | | APVD | R.BENDORF | 05MAR03 | NAME | | |
| 0 PLC | ± - | PRODUCT SPEC | | RECEPTACLE ASSEMBLY, SOLDER CUP, SIZE 3, 25 POSN, HD-20, AMPLIMITE | | | |
| 1 PLC | ± 0.25 | APPLICATION SPEC | | - | | | |
| 2 PLC | ± 0.13 | WEIGHT | | - | | | |
| 3 PLC | ± 0.05 | SCALE | | A2 00779 C=747913 | | | |
| 4 PLC | ± - | CUSTOMER DRAWING | | SCALE 2:1 SHEET 1 OF 1 REV AA | | | |
| ANGLES | ± 4° | FINISH | | SEE TABLE | | | |