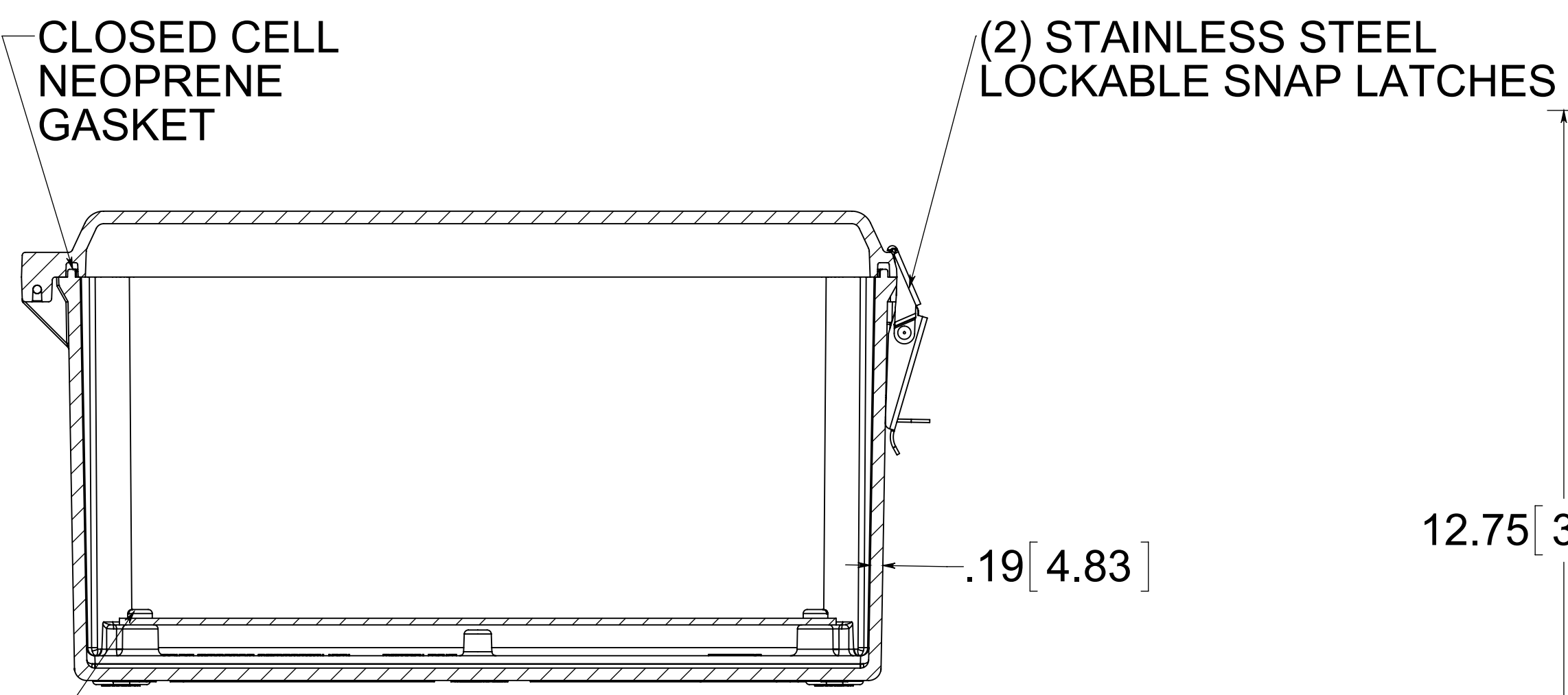


STAINLESS STEEL HINGE PIN

SECTION A-A

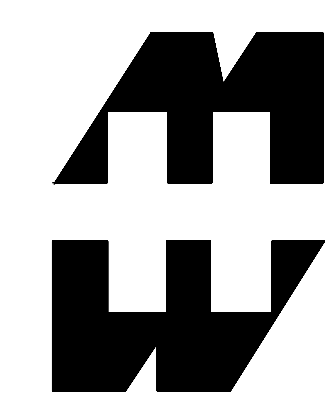
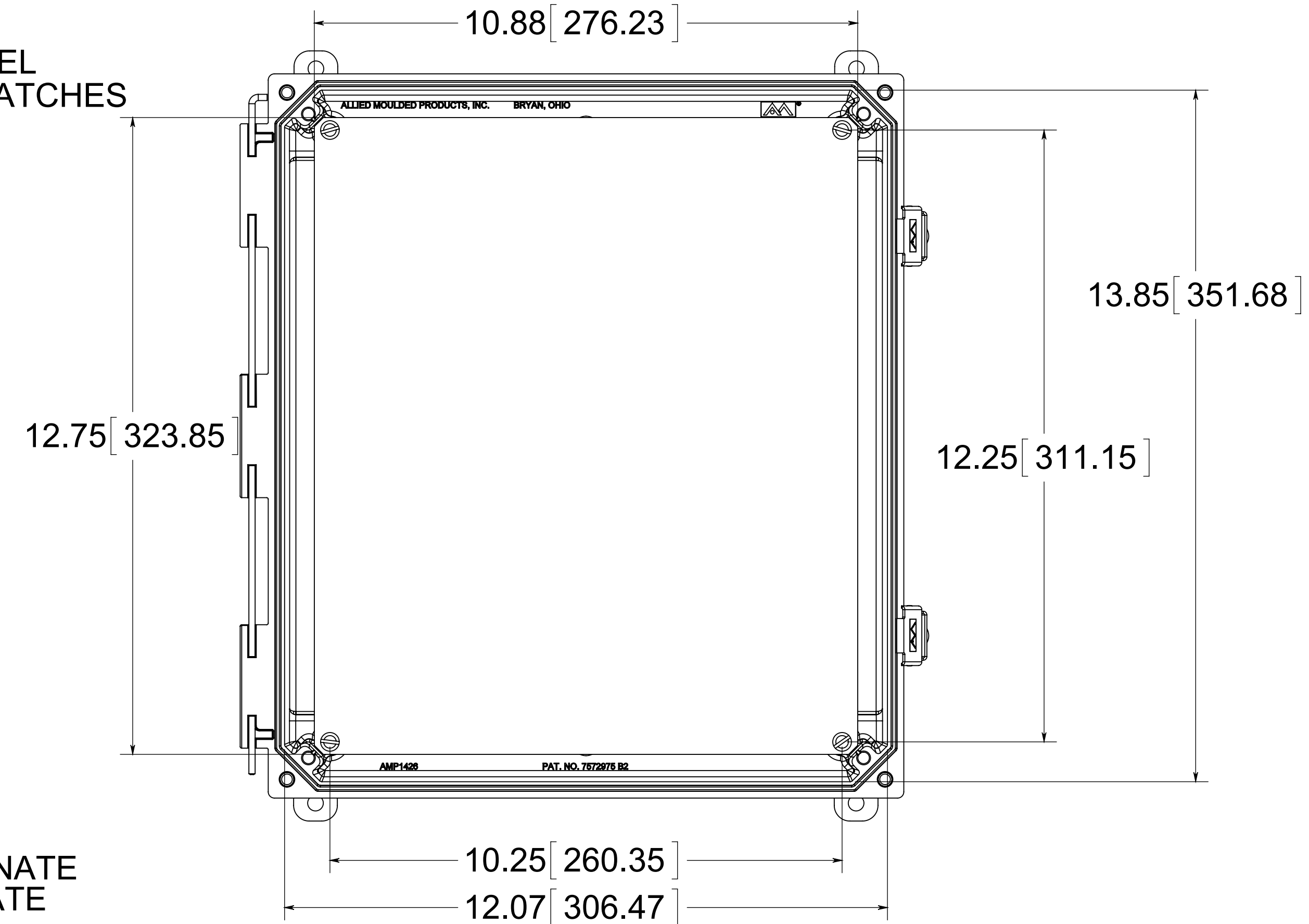
FRONT VIEW WITH COVER REMOVED AND BACK PANEL DISPLAYED

(4) POLYCARBONATE FEET
(4) EACH #10-32 BRASS INSERTS, AND STAINLESS STEEL FLANGE AND FEET SCREWS



SECTION B-B

MATERIAL:
BOX- INJECTED POLYCARBONATE
STANDARD COVER- INJECTED POLYCARBONATE
CLEAR COVER - INJECTED POLYCARBONATE



PART No. PCJ14126L
for more information visit www.hammfg.com
Data subject to change without notice
Drawing Not to Scale