
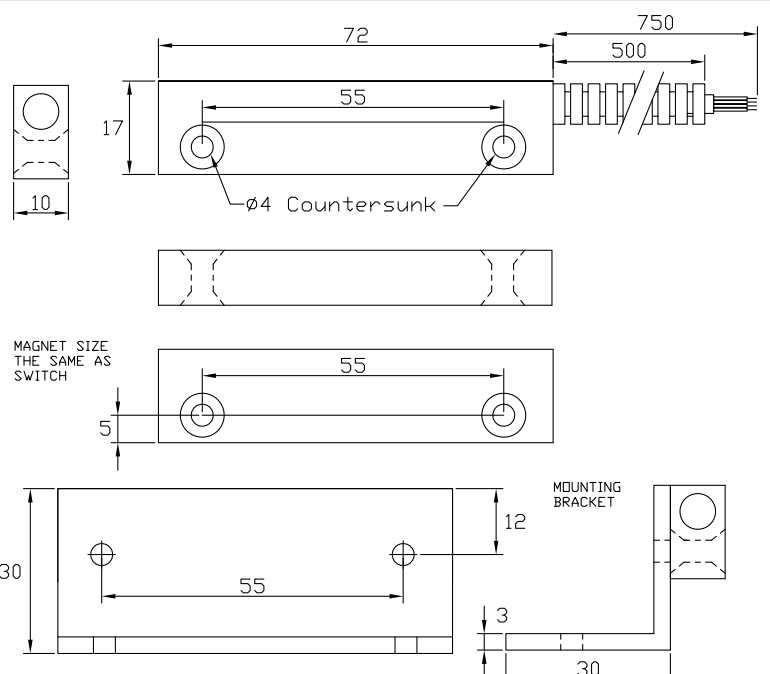


PICTURE	DIMENSIONS
 <p style="background-color: green; color: white; padding: 2px; display: inline-block;">✓ RoHS Compliant</p>	 <p>Drawings not to scale All dimensions in mm nominal</p>

SPECIFICATION		
Contact Form / Style	Normally Open + Supervisory loop	
Grade	2	
Switching Voltage	Max Volts AC/DC	50
Switching Current	Max Amps	0.5
Carry Current	Max Amps	0.8
Switching Capacity	Max W/VA	10
Insulation Resistance	Max MOhms	100
Contact Resistance	Max mOhm's	120
Operating Temperature	Celsius	- 40° to 85°
Case Material	Aluminium	
Operating Distance	Millimetres	30

Applications Include	Options
<ul style="list-style-type: none"> <li>Alarm Systems.</li> <li>Appliance switching.</li> <li>Production Automation.</li> <li>Safety Door Guards.</li> </ul>	<ul style="list-style-type: none"> <li>Non armoured cable type available.</li> <li>Normally closed and Change over types available.</li> <li>Custom cable types, cable lengths, connectors or crimp terminals.</li> <li>If you do not see what you need, just ask, as there is a strong possibility we can do it !</li> </ul>

**Did you know we also sell?**



Float Switches



Pressure Switches



Magnets



Proximity Switches



Reed Switches



Reed Relays



Solid State Relays

Rev. No.	Revision Note	Date	Signature
1	Datasheet	18-03-15	ML