



Changeover switches, Flat Front, with thumb-grip, 2 positions, maintained

Part no. M30C-FWRK
Catalog No. 187109
Eaton Catalog No. M30C-FWRK

Delivery program

| | | | |
|---|---|--|--|
| Product range | | | RMQ-Titan |
| Basic function | | | Selector switch actuators |
| Single unit/Complete unit | | | Single unit |
| Design | | | With thumb-grip maintained |
| Function: | | | |
| | | | ↙ 60° |
| | | | 2 positions |
| Degree of Protection | | | IP64 |
| Front ring | | | Metal bezel |
| Connection to SmartWire-DT | | | Yes, with SWD-RMQ connections |
| Actuator travel and actuation force as per DIN EN 60947-5-1, K.5.4.1 | | | |
| Minimum force for positive opening | N | | 0 |
| Front dimensions | | | Ø 36 mm |
| Instructions | | | Stay-put/spring-return function, can be changed with coding parts M22-XC-Y |

Technical data

General

| | | | |
|-----------------------------|--------------|-------------------|--|
| Standards | | | IEC/EN 60947 VDE 0660 |
| Lifespan, mechanical | Operations | x 10 ⁶ | > 0.1 |
| Operating frequency | Operations/h | | ≡ 2000 |
| Operating torque | | Nm | ≡ 0.3 |
| Climatic proofing | | | Damp heat, constant, to IEC 60068-2-78 Damp heat, cyclic, to IEC 60068-2-30 |
| Degree of Protection | | | IP64 |
| Ambient temperature | | | |
| Open | | °C | -25 - +70 |
| Storage | | °C | - 40 - + 80 |
| Mounting position | | | As required |
| Mechanical shock resistance | | g | 15 Shock duration 11 ms Sinusoidal according to IEC 60068-2-27 |

Design verification as per IEC/EN 61439

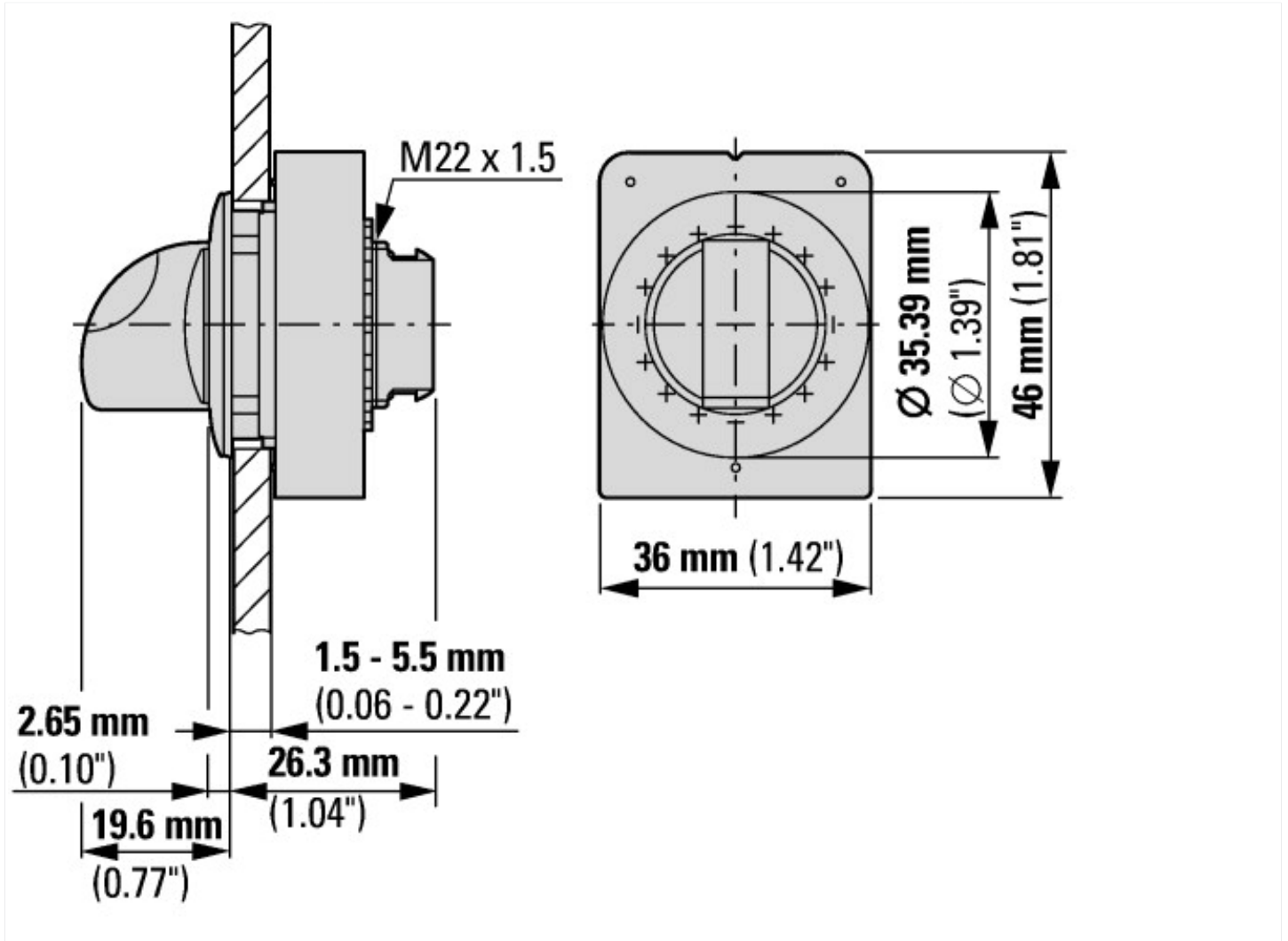
| | | | |
|--|--|----|-----|
| Technical data for design verification | | | |
| Operating ambient temperature max. | | °C | -25 |
| Operating ambient temperature max. | | °C | 70 |

Technical data ETIM 6.0

| | | | |
|--|--|--|--------|
| Low-voltage industrial components (EG000017) / Front element for selector switch (EC000222) | | | |
| Electric engineering, automation, process control engineering / Low-voltage switch technology / Command and alarm device / Front element for selector switches (ecl@ss8.1-27-37-12-13 [AKF031011]) | | | |
| Number of switch positions | | | 2 |
| Type of control element | | | Toggle |
| Suitable for illumination | | | No |

| | | |
|---------------------------------------|----|----------------|
| Colour control element | | Black |
| Colour indicator light cap | | Not applicable |
| Construction type lens | | Round |
| Hole diameter | mm | 30 |
| Width opening | mm | 0 |
| Height meter opening | mm | 0 |
| Switching function latching | | Yes |
| Spring-return | | No |
| Degree of protection (IP), front side | | IP66 |
| With front ring | | Yes |
| Material front ring | | Metal |
| Colour front ring | | Chrome |

Dimensions





with 2 M22-K... standard contact elements



with M22-FK... flat rear contact elements



Additional product information (links)

IL047019ZU Flat Front

IL047019ZU Flat Front

ftp://ftp.moeller.net/DOCUMENTATION/AWA_INSTRUCTIONS/IL047019ZU2017_02.pdf