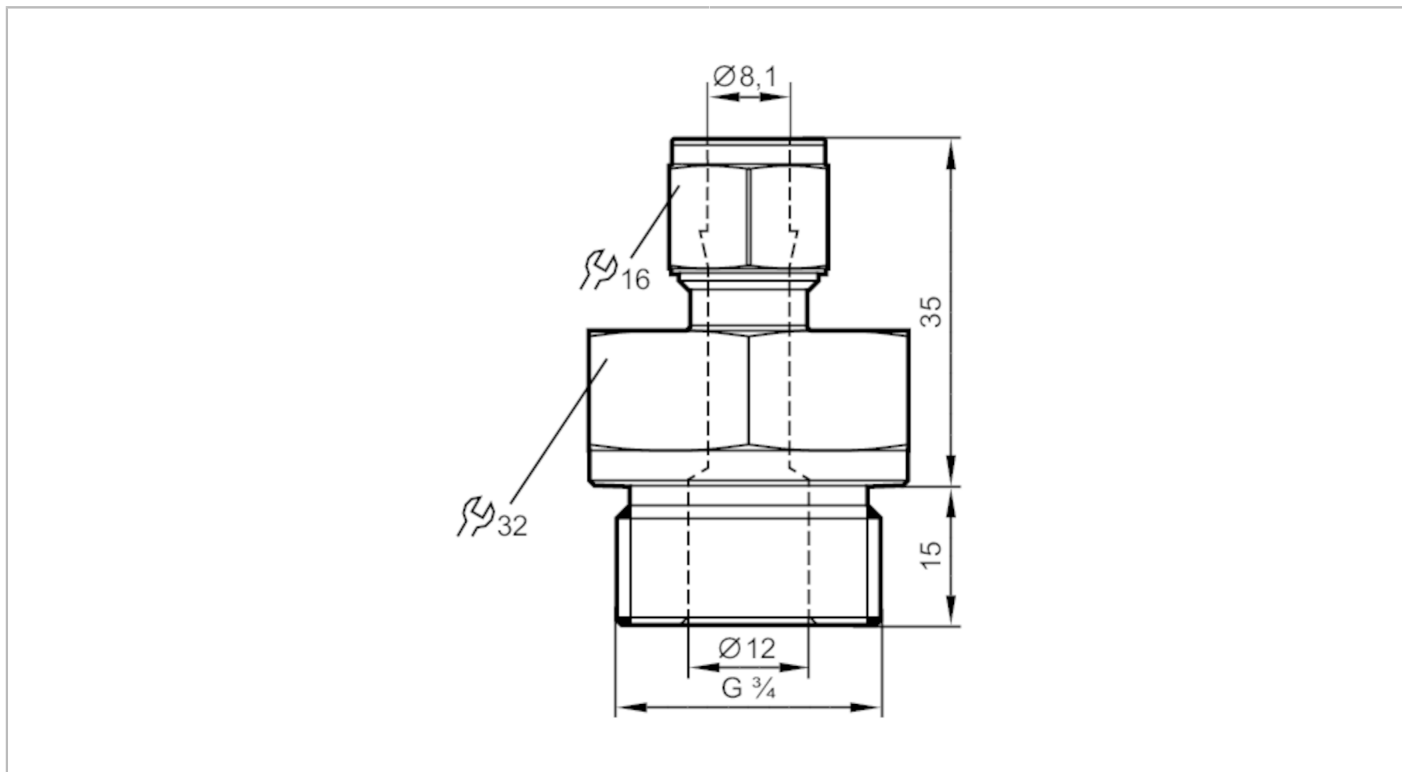


E40268



Progressive ring fitting

COMPRESSION FITTING G3/4 METALLIC SEALIN



ACS KTW/W270 Reg31

Mechanical data	
Weight [g]	161
Materials	stainless steel (1.4404 / 316L)
Process connection	G 3/4
Remarks	
Pack quantity	1 pcs.