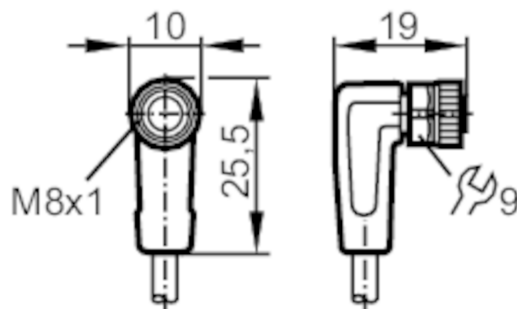


# EVC153



## Connecting cable with socket

ADOAF040MSS0002H04



### Application

|                    |  |
|--------------------|--|
| Special feature    | Free from silicone; Halogen-free; Gold-plated contacts; Drag chain suitability |
| Free from silicone | yes  |

### Electrical data

|                         |     |                   |
|-------------------------|-----|-------------------|
| Operating voltage       | [V] | < 50 AC / < 60 DC |
| Protection class        |     | III               |
| Max. current load total | [A] | 3                 |

### Operating conditions

|                                      |      |                             |
|--------------------------------------|------|-----------------------------|
| Ambient temperature                  | [°C] | -25...90                    |
| Note on ambient temperature          |      | cULus: ...80 °C             |
| Ambient temperature (moving)         | [°C] | -25...90                    |
| Note on ambient temperature (moving) |      | cULus: ...80 °C             |
| Protection                           |      | IP 65; IP 67; IP 68; IP 69K |

# EVC153



## Connecting cable with socket

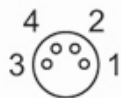
ADOAF040MSS0002H04

| Mechanical data        |                                   |  |
|------------------------|-----------------------------------|--|
| Weight [g]             | 55.5                              |  |
| Dimensions [mm]        | 19 x 10 x 25.5                    |  |
| Materials              | housing: TPU orange; Sealing: FKM |  |
| Material nut           | brass, nickel-plated              |  |
| Drag chain suitability | yes                               |  |
| Drag chain suitability | bending radius for flexible use   | min. 10 x cable diameter   |
|                        | travel speed                      | max. 3.3 m/s for a horizontal travel length of 5 m and max. acceleration of 5 m/s <sup>2</sup> |
|                        | bending cycles                    | > 5 Mio.   |
|                        | torsional strain                  | ± 180 °/m  |

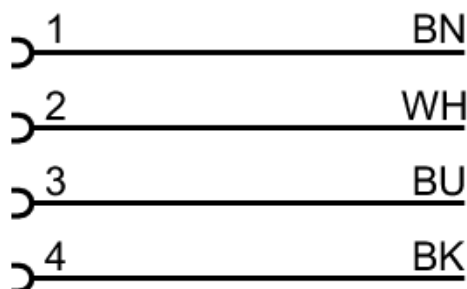
| Remarks       |        |
|---------------|--------|
| Pack quantity | 1 pcs. |

**Electrical connection**  
Cable: 2 m, PUR, Halogen-free, black, Ø 3.7 mm; 4 x 0.25 mm<sup>2</sup> (32 x Ø 0.1 mm )

**Electrical connection - socket**  
Connector: 1 x M8, angled; Locking: brass, nickel-plated; Contacts: gold-plated; Tightening torque: 0.3...0.5 Nm



## Connection



- Core colours :
- BK = black
  - BN = brown
  - BU = blue
  - WH = white