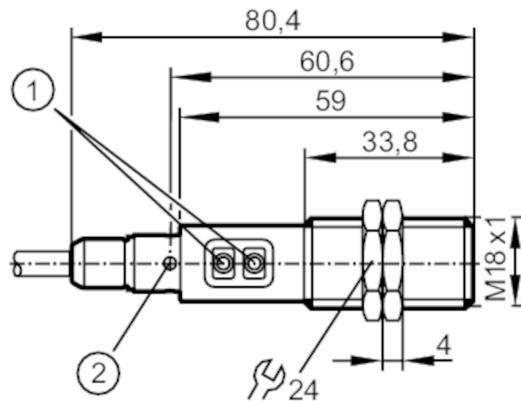


# OGP502



## Retro-reflective sensor

OGP-FPKG/2M



- 1 programming buttons
- 2 LED 4 x 90°



### Product characteristics

Type of light	red light
Housing	threaded type
Dimensions [mm]	M18 x 1 / L = 80.4

### Application

Special feature	polarisation filter
Function principle	Retro-reflective sensor

### Electrical data

Operating voltage [V]	10...36 DC
Current consumption [mA]	20
Protection class	II
Reverse polarity protection	yes
Type of light	red light
Wave length [nm]	624

### Outputs

Electrical design	PNP
Output function	light-on/dark-on mode; (programmable)
Max. voltage drop switching output DC [V]	2.5
Permanent current rating of switching output DC [mA]	150; (200 (...60 °C))
Switching frequency DC [Hz]	2000
Short-circuit protection	yes
Type of short-circuit protection	pulsed
Overload protection	yes

# OGP502



## Retro-reflective sensor

OGP-FPKG/2M

Detection zone	
Range referred to prismatic reflector [m]	0.03...5; (Prismatic reflector Ø 80 E20005)
Factory setting	dark-on mode
Range adjustable	yes
Max. light spot diameter [mm]	200
Light spot dimensions refer to	at maximum range
Polarisation filter available	yes
Operating conditions	
Ambient temperature [°C]	-25...80
Protection	IP 67
Tests / approvals	
EMC	EN 60947-5-2
MTTF [years]	431
Mechanical data	
Weight [g]	125.2
Housing	threaded type
Dimensions [mm]	M18 x 1 / L = 80.4
Thread designation	M18 x 1
Materials	stainless steel (1.4404 / 316L); PA; LCP; EPDM; TPU
Lens material	PMMA
Displays / operating elements	
Display	switching status 1 x LED, yellow
Accessories	
Accessories (supplied)	lock nuts: 2 x
Remarks	
Remarks	operating voltage "supply class 2" according to cULus
Pack quantity	1 pcs.

# OGP502



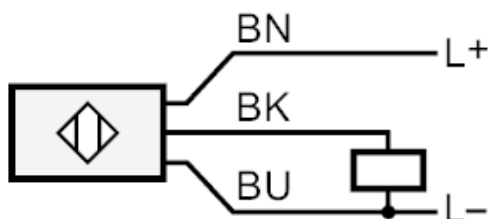
## Retro-reflective sensor

OGP-FPKG/2M

### Electrical connection

Cable: 2 m, PUR; 3 x 0.34 mm<sup>2</sup>

### Connection



Core colours :

BK = black  
BN = brown  
BU = blue