

MVK-MPNIO DIO8 (DI8)

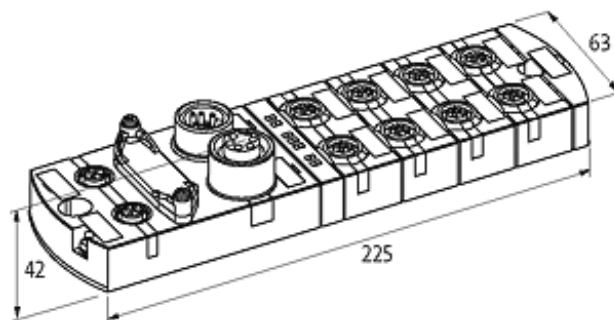
MVK ProfiNet Compact module, metal

Digital inputs/outputs

DIO8 (DI8)

M12, D-coded

For connection cables please see chapter "Connection Technology" All housings are fully potted

[Link to Product](#)**Illustration**

Product may differ from Image

Approvals**More Info**

Input	
Sensor supply US	24 V DC (EN 61131-2), max. 200 mA (M12 female), short-circuit and overload protected
Type	for 3-wire sensors or mechanical switches, PNP, (EN 61131-2)
Connections	
Fieldbus	M12, D-coded
Sensor-system/actuator supply	7/8", 5-pole, 2 × max. 9 A
I/O ports	M12, A-coded, 5-pole
Fieldbus	
Operating voltage	24 V DC (EN 61131-2)
Operating modes	Autonegotiation/Auto MDI/MDI-X
Transfer rate	to 100 Mbit/s Full Duplex
Addressing	DCP
General data	
Protection	IP67
Mounting method	2-hole screw mounting
Temperature range	-25...+55 °C (storage temperature -25...+70 °C)
Dimensions H × W × D	42×63×225 mm
Parameterization	
PIN 4	Input/output
PIN 2	Input/diagnostic
Output	
Actuator supply UA	24 V DC (EN 61131-2), max. 9 A
Switching current per output	max. 1.6 A (short-circuit and overload protected)
Lamp load	10 W
Diagnostic	
Communication status	via LED
Diagnostic via LED	per module and channel
Diagnostic via BUS	per module and channel
Monitoring - under voltage	yes
Monitoring - no voltage	yes
Short circuit and overload	yes
Actuator warning	per channel via LED and BUS
Cable break	per port
Commercial data	
country of origin	DE
customs tariff number	85176200
minimum order quantity	1