

Model Number

OMH-RL29-06

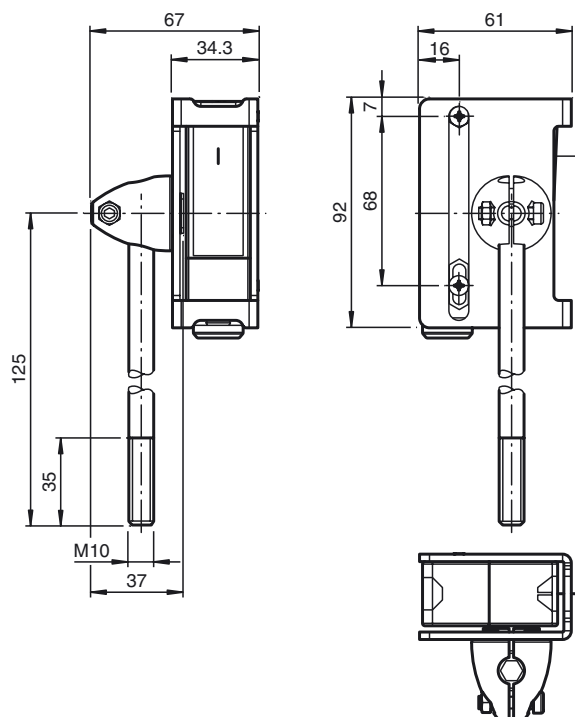
Mounting bracket

Features

- Mounting aid with threaded rod M10 and turnable head
- Simple and fast mounting
- Supplied with mounting material
- Sturdy construction

Mounting bracket for sensors series 28/29

Dimensions



Technical data

Mechanical specifications

Material	Stainless steel
Mounting	Mounting accessories included

Suitable series

Series	Series 28/29
--------	--------------