



SOLENOID, RECTANGULAR SMALL 25 X 36MM FOR MAGN.-OP. SWITCH 3SE66...3CA0., POSITION: SOLENOID AND CONTACT BLOCK ON THE SAME MOUNTING SURFACE

Figure similar

Product designation	magnetically operated switch, switching magnet	
General technical data:		
Protection class IP	IP67	
Enclosure:		
Material of the enclosure	plastic	
Ambient conditions:		
Ambient temperature		
• during operation	°C	-25 ... +70
• during storage and transport	°C	-25 ... +70
Installation/ mounting/ dimensions:		
Mounting type	screw fixing	
Certificates/ approvals:		
General Product Approval		



Further information

Information- and Downloadcenter (Catalogs, Brochures,...)

<http://www.siemens.com/industrial-controls/catalogs>

Industry Mall (Online ordering system)

<http://www.siemens.com/industrymall>

Cax online generator

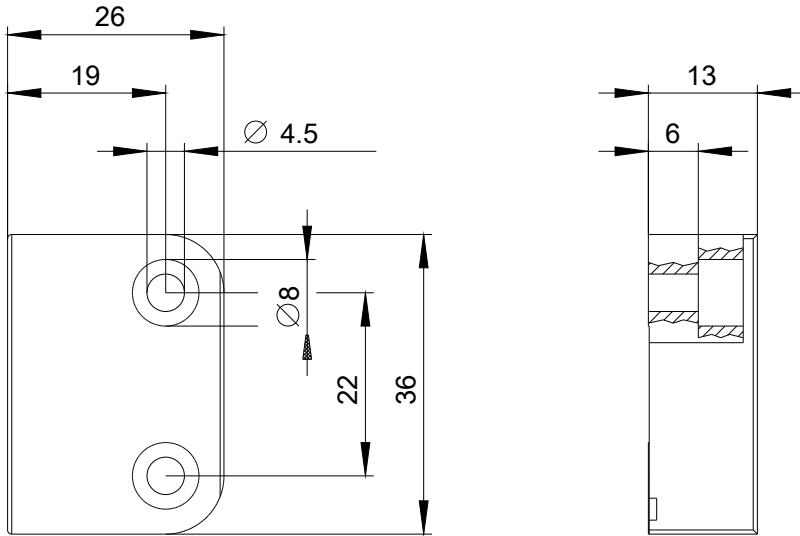
<http://support.automation.siemens.com/WW/CAXorder/default.aspx?lang=en&mlfb=3SE67143CA>

Service&Support (Manuals, Certificates, Characteristics, FAQs,...)

<http://support.automation.siemens.com/WW/view/en/3SE67143CA/all>

Image database (product images, 2D dimension drawings, 3D models, device circuit diagrams, EPLAN macros, ...)

http://www.automation.siemens.com/bilddb/cax_de.aspx?mlfb=3SE67143CA&lang=en



last modified:

16.03.2015