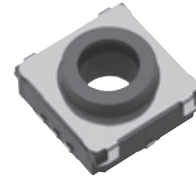


10 mm Square Center Space Long Travel SMD Light Touch Switches

Type: **EVPAD**



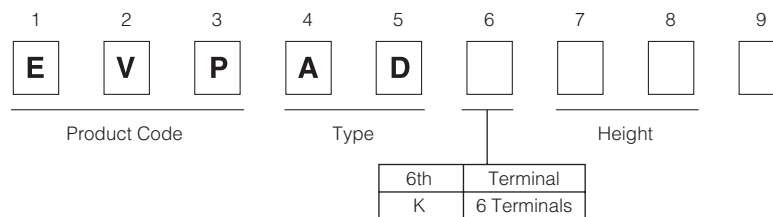
■ Features

- The open center space allows for flexibility in choosing a LED
Up to a 4.2-mm diameter chip LED can be mounted.
- Provides an excellent operational feel.
 - Crisp tactile feedback
 - Long stroke (1 mm)
- Supports auto reflow soldering.

■ Recommended Applications

- Operating switches for car electronic equipment (car audio systems, car air conditioners, etc.)

■ Explanation of Part Numbers



■ Specifications

Type		Snap action/Push-on type SPST
Electrical	Rating	10 μ A 2 Vdc to 50 mA 12 Vdc (Resistive load)
	Contact Resistance	100 m Ω max.
	Insulation Resistance	100 M Ω min. (at 100 Vdc)
	Dielectric Withstanding Voltage	250 Vac for 1 minute
	Bouncing	10 ms max. (ON, OFF)
Mechanical	Operating Force	4.0 N \pm 0.8 N
	Travel	1.0 mm \pm 0.15 mm
Endurance	Operating Life	100000 cycles min.
Operating Temperature		-40 °C to +85 °C
Storage Temperature		-40 °C to +85 °C (Bulk) -20 °C to +60 °C (Taping)
Minimum Quantity/Packing Unit		1000 pcs. Embossed Taping (Reel Pack)
Quantity/Carton		5000 pcs.

Design and specifications are each subject to change without notice. Ask factory for the current technical specifications before purchase and/or use.
Should a safety concern arise regarding this product, please be sure to contact us immediately.

■ Dimensions in mm (not to scale)

EVPADK04K
(Embossed Taping)

LED implementation position
LED implementation area

0.5 max. (Plastic projection)

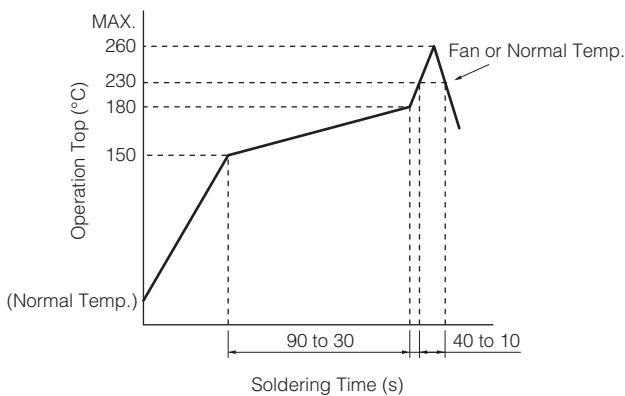
9.8, 0.8, $\phi 4.2$, $\phi 4.5$, 10.15, 9.8, A1, B1, A2, A3, B2, 0.8, 0.8, 3.2, 0.8, 0.8, 4.7, $3.2^{+0.02}$, 10.35 ± 0.4 , 0.7, 11.3 ± 0.1 , 8.4 ± 0.1 , 1.2 ± 0.1 , A1, B1, A2, A3, B2, 1.2 ± 0.1 , 3.2 ± 0.1

Circuit Diagram

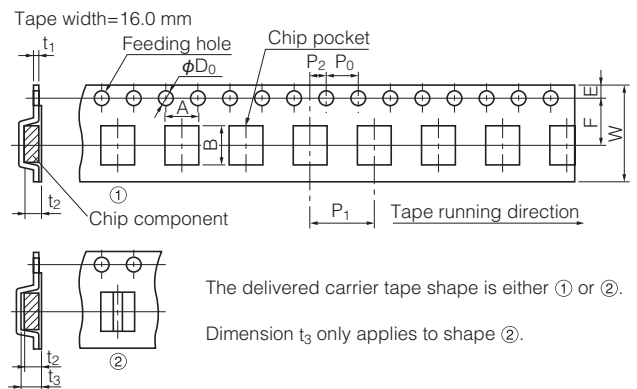
PWB land pattern for reference

(Precautions for pattern design)
* Note that the terminals are exposed at the sections shaded with " "
* Establish electrical connection at A1, A2, A3, and A4 to improve the contact performance.

■ Recommended Reflow Soldering Conditions



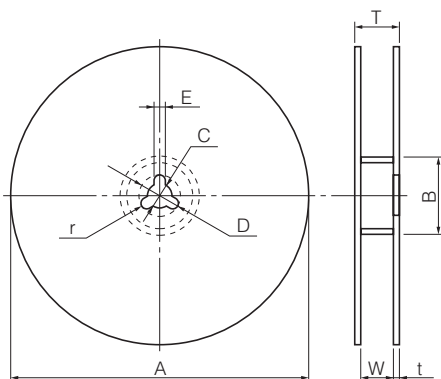
● Embossed Carrier Taping



Unit: mm

Part No.	Height	A	B	W	F	E	P ₁	P ₂	P ₀	Do Dia	t ₁	t ₂	t ₃
EVPAD	4.6	10.7 ± 0.2	10.7 ± 0.2	16.0 ± 0.3	7.5 ± 0.1	1.75 ± 0.10	12.0 ± 0.1	2.0 ± 0.1	4.0 ± 0.1	1.5 $^{+0.1}$	0.40 ± 0.05	4.8 ± 0.2	5.8 ± 2.0

● Standard Reel Dimensions in mm (not to scale)



Item	A	B	C	D	E
Rate (mm)	$\phi 380.0 \pm 2.0$	$\phi 80.0 \pm 1.0$	$\phi 13.0 \pm 0.5$	$\phi 21.0 \pm 1.0$	2.0 ± 0.5

Item	W	T	t	r
Rate (mm)	17.5 ± 0.5	21.5 ± 1.0	—	—

Design and specifications are each subject to change without notice. Ask factory for the current technical specifications before purchase and/or use.
Should a safety concern arise regarding this product, please be sure to contact us immediately.