



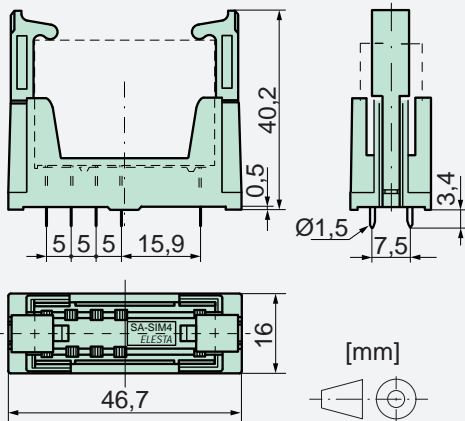
Print socket SRP-SIM4

Socket data

- With integrated retaining/ejector handles
- Soldering tags for PCB



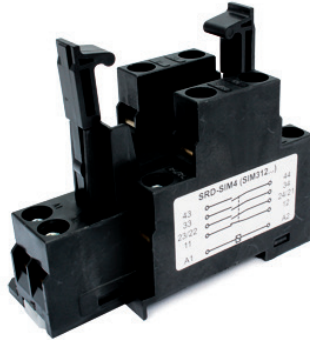
Dimensions



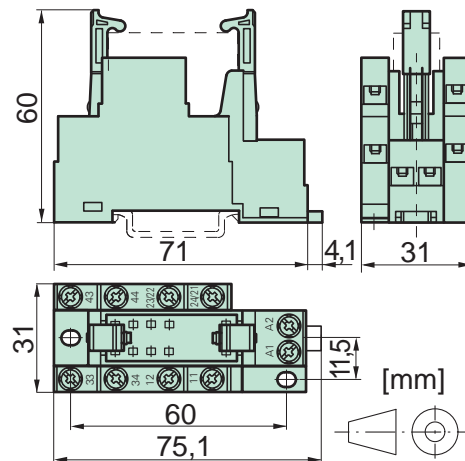
DIN rail socket SRD-SIM4

Socket data

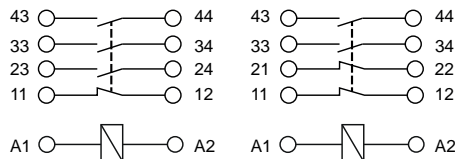
- With integrated retaining/ejector handles
- Screw terminals
- Assembly on DIN rail 35mm or with 2xM3 screws



Dimensions



SRD-SIM4 (SIM312...) SRD-SIM4 (SIM222...)



Technical data

Rated current	8A
Rated voltage	250VAC
Test voltage coil/contacts	4000Veff
Insulation class (IEC 60664-1)	250VAC
Creepage resistance	CTI 250
Weight	approx. 11g
Ambient temperature	-25°C to +70°C
Packing unit	10 pcs
Approvals	UL, cUL
UL File	E301947

Technical data

Rated current	8A
Rated voltage	250VAC
Test voltage coil/contacts	3000Veff
Insulation class (IEC 60664-1)	250VAC
Creepage resistance	CTI 250
Weight	approx. 65g
Ambient temperature	-25°C to +70°C
Cross sections for connection with wires	2x2,5mm ²
end sleeves for strands	2x1,5mm ²
Maximales Drehmoment	0,8Nm
Packing unit	10 pcs
Approvals	UL, cUL
UL File	E238167