

FLOW PRODUCTS INDEX

| | |
|------------------------------|-----|
| Technical Information | 5 |
| Fittings | |
| PVDF Fittings | 7 |
| Tight Push | 35 |
| Barb Block | 42 |
| Barb Connectors | 53 |
| Hose Fittings | 60 |
| Threaded Connectors | 76 |
| Quick Release | 84 |
| Unique Solutions | 86 |
| Flow Products | |
| Tubes | 92 |
| Valves | 96 |
| Spraying and Fogging Nozzles | 100 |
| Air Blow Guns | 107 |

Technical Information

Recommended Tightening Torque

| Thread Size | Nylon 66 | | PP | | PVDF | |
|-------------|----------|-------|------|-------|------|-------|
| | Nm | ft lb | Nm | ft lb | Nm | ft lb |
| 1/8" | 0.1 | 0.07 | 0.01 | 0.01 | 0.1 | 0.07 |
| 1/4" | 0.8 | 0.6 | 0.3 | 0.2 | 1 | 0.8 |
| 3/8" | 4 | 3 | 1 | 1 | 5 | 3 |
| 1/2" | 6 | 4 | 2 | 2 | 8 | 6 |
| 3/4" | 8 | 6 | 5 | 4 | 16 | 12 |
| 1" | 10 | 7 | 8 | 6 | 26 | 19 |

Fittings Tolerances (According to ISO 2768-c)

| Size mm | Tolerance |
|---------|-----------|
| 1-6 | ±0.3 |
| 6-30 | ±0.5 |
| 30-120 | ±0.8 |

Chemical Resistance

| | Water | | Acids | | Detergents | |
|---------------|-------|-----|-------|--------|------------|--------|
| | Cold | Hot | Weak | Strong | Weak | Strong |
| LDPE | 3 | 1 | 3 | 2 | 3 | 3 |
| HDPE | 3 | 3 | 3 | 3 | 3 | 3 |
| Nylon 6-6 | 3 | 2 | 1 | 1 | 3 | 2 |
| Polypropylene | 3 | 3 | 3 | 2 | 3 | 3 |
| Acetal | 3 | 3 | 2 | 1 | 3 | 3 |
| PVDF | 3 | 3 | 3 | 3 | 3 | 3 |

1 - Bad 2 - Medium 3 - Good

Note: Notice tube dimension differ between industries.
Fittings' dimensions refer to tube ID or OD, with respect to the common application.

Use thread seal tape



Minimum straight tube segment



MAINTENANCE

Tefen's fittings require minimum maintenance. Nevertheless, a visual periodic inspection is recommended. If damage or abrasion is spotted, please replace the fitting, and make sure it fits the application.

When the temperature is below 4°C, we recommend draining the system if there is no flow in it, to avoid severe damage and leaks caused by the freezing water.

DISCLAIMER

All technical data is based on theoretical values and experiments held in Tefen's laboratory.

The information in this catalog is for reference only. Please consult our representatives for further details and advice.

Tefen is constantly seeking ways to improve the specifications of its products.

Whilst every effort is made to produce up-to-date literature, this catalog should not be regarded as an infallible guide to current specifications, nor does it constitute an offer for the sale of any particular product. Prospective purchasers of the products from Tefen should satisfy themselves at the time they place the order as to the suitability of the products for the particular application. We have the right to alter specification without prior notice

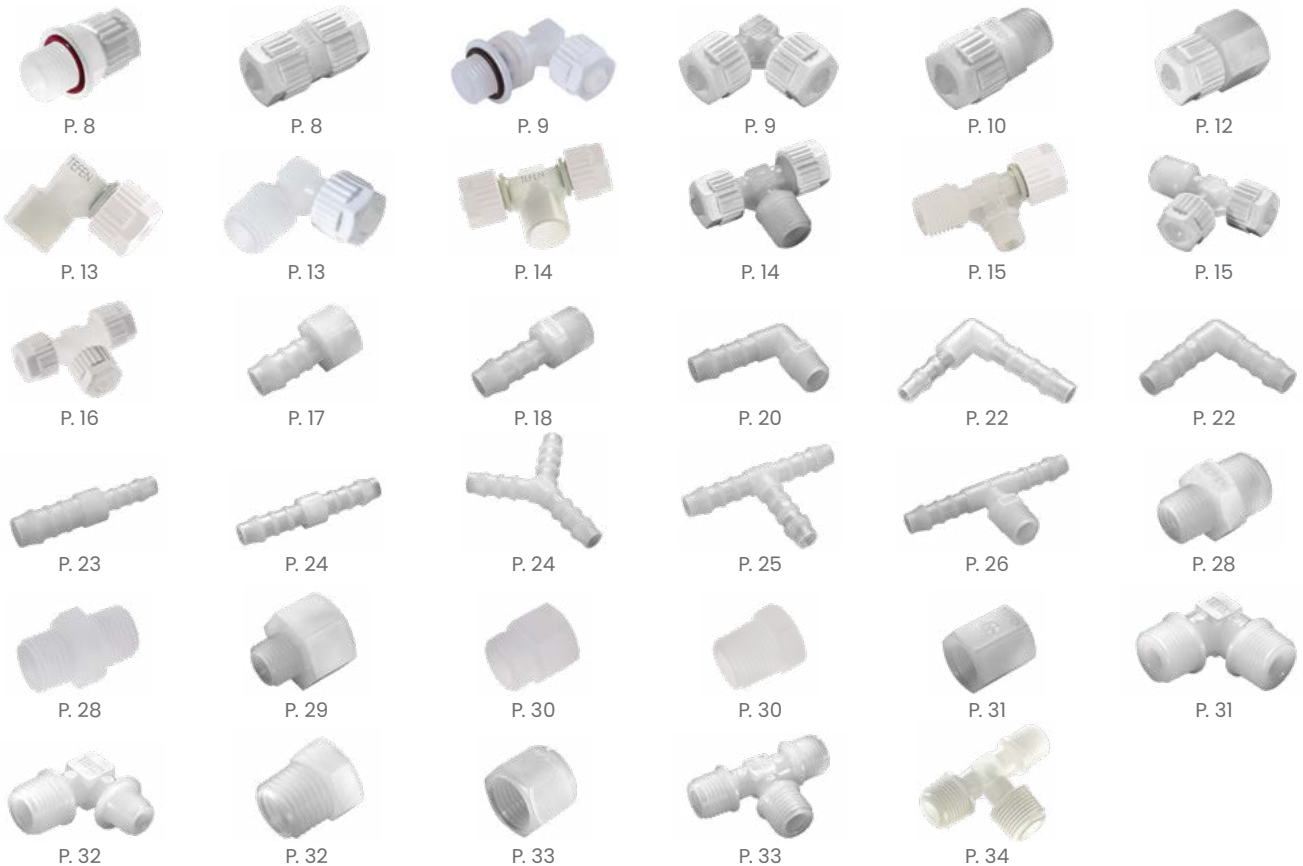


PVDF Fittings

PVDF (Polyvinylidene fluoride) is a well-known engineering polymer. It demonstrates high mechanical properties, chemical resistance and thermal advantages, as well as high stability to withstand these advantages during exposure to **UV, radioactive and gamma** radiation.

Tefen's PVDF is a prime virgin material certified in use with drinking water (NSF) and in food stuff (FDA), Up to 120° [C]. It is mainly used in the petrochemical, semiconductors, water distillation, pharma and food industries.

* Nuts material is Reinforced PP
white - mm | blue - inch



Fittings Products

PVDF Fittings

PVDF



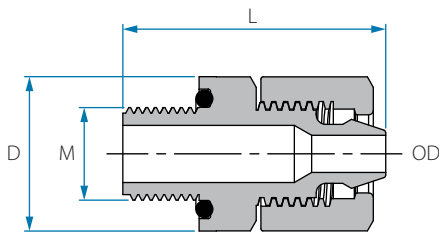
Working pressure
Up to 14 BAR
(200 psi) at 20 °C



Temperature
-20 °C -120 °C
(subject to application)



Fittings' dimensions
refer to tube ID or OD, with respect
to the common application



Male Barb Block Connector (with O-Ring)

| Cat. No. | Tube OD mm | M (BSPP) | L mm | D mm | Color | O-ring |
|-------------|------------|----------|------|------|---------|----------|
| 22F56846021 | 6 | 1/8" | 27.2 | 16.0 | ☐ White | Silicone |
| 22F56846041 | 6 | 1/4" | 30.9 | 19.4 | | |
| 22F56848021 | 8 | 1/8" | 27.3 | 16.0 | ☐ White | Silicone |
| 22F56848041 | 8 | 1/4" | 31.1 | 19.3 | | |
| 22F56850021 | 10 | 1/8" | 27.2 | 16.0 | ☐ White | Silicone |
| 22F56850041 | 10 | 1/4" | 31.0 | 19.4 | | |

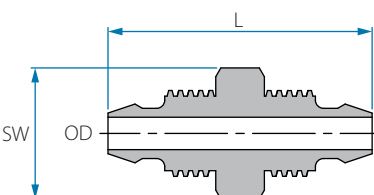
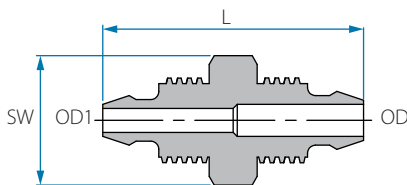
Note: Packing 25 unit

* Nuts material is Reinforced PP

| Cat. No. | Tube OD inch | M (BSPP) | L mm | D mm | Color | O-ring |
|-------------|--------------|----------|------|------|---------------------|----------|
| 22F56804021 | 1/4" | 1/8" | 27.1 | 16.0 | ☐ White & Navy Blue | Silicone |
| 22F56804041 | 1/4" | 1/4" | 30.9 | 19.4 | | |

Note: Packing 25 unit

* Nuts material is Reinforced PP



Reducing Barb Block Connector

| Cat. No. | Tube OD mm | OD1 mm | L mm | SW | Color |
|-------------|------------|--------|------|----|---------|
| 22055648461 | 8 | 6 | 32.7 | 14 | ☐ White |

| Cat. No. | Tube OD inch | OD1 inch | L mm | SW | Color |
|-------------|--------------|----------|------|----|---------------------|
| 22255605041 | 5/16" | 1/4" | 32.7 | 14 | ☐ White & Navy Blue |

Note: Packing 25 unit

* Nuts material is Reinforced PP

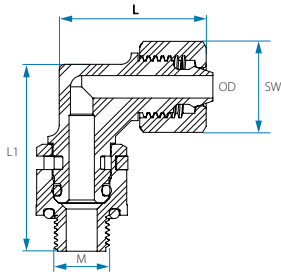
Union Barb Block Connector

| Cat. No. | Tube OD mm | L mm | SW | Color |
|-------------|------------|------|----|---------|
| 22056246001 | 6 | 32.7 | 14 | ☐ White |
| 22056248001 | 8 | 32.7 | 14 | |
| 22056252001 | 12 | 40.6 | 19 | |

| Cat. No. | Tube OD inch | L mm | SW | Color |
|-------------|--------------|------|----|---------------------|
| 22256204001 | 1/4" | 32.7 | 14 | ☐ White & Navy Blue |
| 22256205001 | 5/16" | 32.7 | 14 | |
| 22256208001 | 1/2" | 40.6 | 19 | |

Note: Packing 25 unit

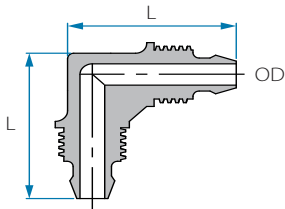
* Nuts material is Reinforced PP



Union Elbow swivel Connector

| Cat. No. | Tube OD mm | M BSPP | L mm | LI | SW | O-ring | Color |
|-------------|------------|--------|------|------|----|--------|-------|
| 22566948021 | 8 | 1/8" | 27.3 | 33.2 | 16 | Viton | White |
| 22566948041 | 8 | 1/4" | 27.3 | 33.2 | 16 | Viton | White |

| Cat. No. | Tube OD mm | M BSPP | L mm | LI | SW | O-ring | Color |
|-------------|------------|--------|------|------|----|--------|-------------------|
| 22566904021 | 8 | 1/4" | 27.3 | 33.2 | 16 | Viton | White & Navy Blue |
| 22566904021 | 8 | 1/4" | 27.3 | 33.2 | 16 | Viton | White & Navy Blue |



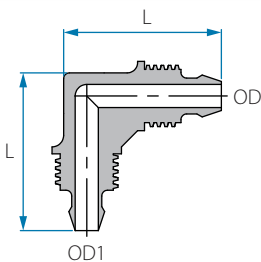
Union Elbow Barb Block Connector

| Cat. No. | Tube OD mm | L mm | Color |
|-------------|------------|------|-------|
| 22056546001 | 6 | 27.4 | White |
| 22056548001 | 8 | 27.4 | |
| 22056552001 | 12 | 40.5 | |

| Cat. No. | Tube OD inch | L mm | Color |
|-------------|--------------|------|-------------------|
| 22256504001 | 1/4" | 27.4 | White & Navy Blue |
| 22256505001 | 5/16" | 27.4 | |
| 22256508001 | 1/2" | 40.5 | |

Note: Packing 25 unit

* Nuts material is Reinforced PP



Reducing Elbow Barb Block Connector

| Cat. No. | Tube OD mm | OD1 mm | L mm | Color |
|-------------|------------|--------|------|-------|
| 22055748461 | 8 | 6 | 27.3 | White |

Note: Packing 25 unit

* Nuts material is Reinforced PP

Fittings Products

PVDF Fittings

PVDF



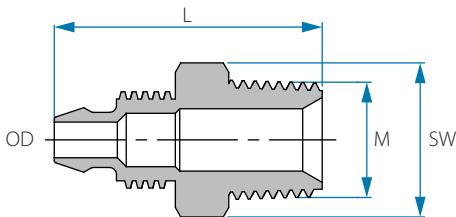
Working pressure
Up to 14 BAR
(200 psi) at 20 °C



Temperature
-20 °C -120 °C
(subject to application)



Fittings' dimensions
refer to tube ID or OD, with respect
to the common application



Male BSPT Barb Block Connector

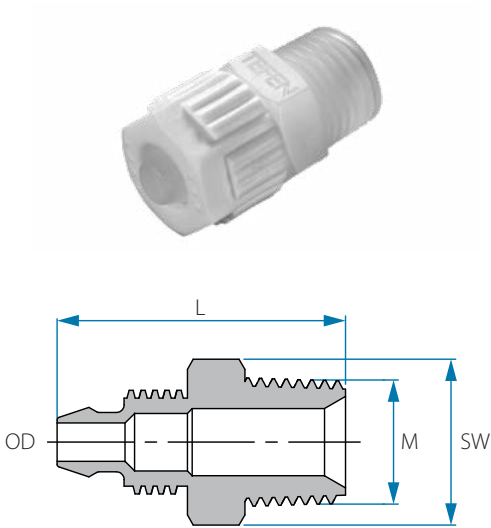
| Cat. No. | Tube OD mm | M (BSPT) | L mm | SW | Color |
|-------------|------------|----------|------|----|-------|
| 22056846021 | 6 | 1/8" | 28.2 | 13 | |
| 22056846041 | 6 | 1/4" | 31 | 15 | |
| 22056846061 | 6 | 3/8" | 31.4 | 17 | |
| 22056846081 | 6 | 1/2" | 34.1 | 22 | |
| 22056846121 | 6 | 3/4" | 35.5 | 27 | |
| 22056848021 | 8 | 1/8" | 28.1 | 13 | |
| 22056848041 | 8 | 1/4" | 29.5 | 15 | |
| 22056848061 | 8 | 3/8" | 31.7 | 17 | |
| 22056848081 | 8 | 1/2" | 34.1 | 22 | |
| 22056848121 | 8 | 3/4" | 26.1 | 27 | White |
| 22056850041 | 10 | 1/4" | 36.1 | 17 | |
| 22056850061 | 10 | 3/8" | 35.8 | 17 | |
| 22056850081 | 10 | 1/2" | 37.9 | 22 | |
| 22056850121 | 10 | 3/4" | 38.9 | 27 | |
| 22056852041 | 12 | 1/4" | 36.6 | 17 | |
| 22056852061 | 12 | 3/8" | 37.3 | 17 | |
| 22056852081 | 12 | 1/2" | 40.1 | 22 | |
| 22056852121 | 12 | 3/4" | 40.1 | 27 | |

| Cat. No. | Tube OD inch | M (BSPT) | L mm | SW | Color |
|-------------|--------------|----------|------|----|-------------------|
| 22056804021 | 1/4" | 1/8" | 27.5 | 13 | |
| 22056804041 | 1/4" | 1/4" | 31.1 | 15 | |
| 22056804061 | 1/4" | 3/8" | 31.8 | 17 | |
| 22056804081 | 1/4" | 1/2" | 35.5 | 22 | |
| 22056804121 | 1/4" | 3/4" | 35.5 | 27 | |
| 22056805021 | 5/16" | 1/8" | 27.6 | 13 | |
| 22056805041 | 5/16" | 1/4" | 29.5 | 15 | |
| 22056805061 | 5/16" | 3/8" | 31.4 | 18 | |
| 22056806041 | 3/8" | 1/4" | 36.1 | 17 | White & Navy Blue |
| 22056806061 | 3/8" | 3/8" | 36.6 | 17 | |
| 22056806081 | 3/8" | 1/2" | 35.8 | 22 | |
| 22056806121 | 3/8" | 3/4" | 35.8 | 27 | |
| 22056808041 | 1/2" | 1/4" | 38.9 | 14 | |
| 22056808061 | 1/2" | 3/8" | 37 | 17 | |
| 22056808081 | 1/2" | 1/2" | 37.3 | 22 | |
| 22056808121 | 1/2" | 3/4" | 40.1 | 27 | |

Note: Packing 25 unit

* Nuts material is Reinforced PP

Male NPT Barb Block Connector



| Cat. No. | Tube OD inch | M (NPT) | L mm | SW | Color |
|-------------|--------------|---------|------|----|--------------|
| 22256804021 | 1/4" | 1/8" | 29.4 | 13 | White & Grey |
| 22256804041 | 1/4" | 1/4" | 34.0 | 15 | |
| 22256804061 | 1/4" | 3/8" | 35.1 | 18 | |
| 22256804081 | 1/4" | 1/2" | 40.2 | 22 | |
| 22256804121 | 1/4" | 3/4" | 41.0 | 27 | |
| 22256805021 | 5/16" | 1/8" | 29.4 | 13 | |
| 22256805041 | 5/16" | 1/4" | 34.0 | 15 | |
| 22256805061 | 5/16" | 3/8" | 35.1 | 18 | |
| 22256805081 | 5/16" | 1/2" | 40.2 | 22 | |
| 22256805121 | 5/16" | 3/4" | 41.0 | 27 | |
| 22256806041 | 3/8" | 1/4" | 37.6 | 15 | |
| 22256806061 | 3/8" | 3/8" | 38.6 | 18 | |
| 22256806081 | 3/8" | 1/2" | 43.7 | 22 | |
| 22256806121 | 3/8" | 3/4" | 44.4 | 27 | |
| 22256808041 | 1/2" | 1/4" | 38.8 | 15 | |
| 22256808061 | 1/2" | 3/8" | 40.0 | 18 | |
| 22256808081 | 1/2" | 1/2" | 45.0 | 22 | |
| 22256808121 | 1/2" | 3/4" | 45.8 | 18 | |

Note: Packing 25 unit

* Nuts material is Reinforced PP

Fittings Products

PVDF Fittings

PVDF



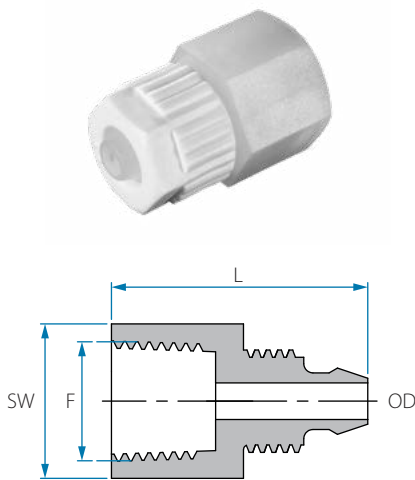
Working pressure
Up to 14 BAR
(200 psi) at 20 °C



Temperature
-20 °C -120 °C
(subject to application)



Fittings' dimensions
refer to tube ID or OD, with respect
to the common application



Female BSPT Barb Block Connector

| Cat. No. | Tube OD mm | F (BSPT) | L mm | SW | Color |
|-------------|------------|----------|------|----|-------|
| 22056646021 | 6 | 1/8" | 26.3 | 14 | |
| 22056646041 | 6 | 1/4" | 27.8 | 17 | |
| 22056648021 | 8 | 1/8" | 26.3 | 14 | |
| 22056648041 | 8 | 1/4" | 28.0 | 17 | |
| 22056648061 | 8 | 3/8" | 30.6 | 22 | White |
| 22056648081 | 8 | 1/2" | 32.5 | 26 | |
| 22056650041 | 10 | 1/4" | 31.7 | 17 | |
| 22056650061 | 10 | 3/8" | 33.0 | 22 | |
| 22056650081 | 10 | 1/2" | 35.1 | 26 | |

| Cat. No. | Tube OD inch | F (BSPT) | L mm | SW | Color |
|-------------|--------------|----------|------|----|-------------------|
| 22056604021 | 1/4" | 1/8" | 26.3 | 14 | |
| 22056604041 | 1/4" | 1/4" | 27.8 | 17 | |
| 22056605021 | 5/16" | 1/8" | 26.3 | 14 | |
| 22056605041 | 5/16" | 1/4" | 28.0 | 17 | |
| 22056605061 | 5/16" | 3/8" | 30.6 | 22 | White & Navy Blue |
| 22056605081 | 5/16" | 1/2" | 32.5 | 26 | |
| 22056606041 | 3/8" | 1/4" | 31.7 | 17 | |
| 22056606061 | 3/8" | 3/8" | 33.0 | 22 | |
| 22056606081 | 3/8" | 1/2" | 35.1 | 26 | |

Note: Packing 25 unit

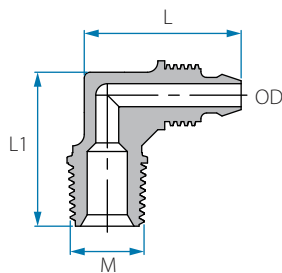
* Nuts material is Reinforced PP

Female NPT Barb Block Connector

| Cat. No. | Tube OD inch | F (NPT) | L mm | SW | Color |
|-------------|--------------|---------|------|----|--------------|
| 22256605061 | 5/16" | 3/8" | 33.8 | 14 | |
| 22256605081 | 5/16" | 1/2" | 37.3 | 14 | |
| 22256606041 | 3/8" | 1/4" | 32.9 | 17 | White & Grey |
| 22256606061 | 3/8" | 3/8" | 34.5 | 17 | |
| 22256606081 | 3/8" | 1/2" | 38.0 | 17 | |

Note: Packing 25 unit

* Nuts material is Reinforced PP



BSPT Male Elbow Barb Block Connector

| Cat. No. | Tube OD mm | M (BSPT) | L mm | L1 mm | Color |
|-------------|------------|----------|------|-------|---------|
| 22056946021 | 6 | 1/8" | 27.6 | 22.4 | ☐ White |
| 22056946041 | 6 | 1/4" | 27.6 | 26.8 | |
| 22056948021 | 8 | 1/8" | 27.6 | 26.8 | |
| 22056948041 | 8 | 1/4" | 27.6 | 26.8 | |
| 22056948061 | 8 | 3/8" | 28.1 | 29.4 | |
| 22056952041 | 12 | 1/4" | 40.3 | 31.7 | |
| 22056952061 | 12 | 3/8" | 40.3 | 32.0 | |
| 22056952081 | 12 | 1/2" | 40.3 | 36.0 | |

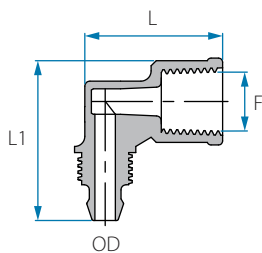
| Cat. No. | Tube OD inch | M (BSPT) | L mm | L1 mm | Color |
|-------------|--------------|----------|------|-------|---------------------|
| 22056904021 | 1/4" | 1/8" | 27.6 | 22.4 | ☐ White & Navy Blue |
| 22056904041 | 1/4" | 1/4" | 27.6 | 26.8 | |
| 22056905021 | 5/16" | 1/8" | 27.6 | 26.8 | |
| 22056905041 | 5/16" | 1/4" | 27.6 | 26.8 | |
| 22056905061 | 5/16" | 3/8" | 28.1 | 29.4 | |
| 22056908041 | 1/2" | 1/4" | 40.3 | 31.7 | |
| 22056908061 | 1/2" | 3/8" | 40.3 | 32.0 | |
| 22056908081 | 1/2" | 1/2" | 40.3 | 36.0 | |

Note: Packing 25 unit
* Nuts material is Reinforced PP

NPT Male Elbow Barb Block Connector

| Cat. No. | Tube OD inch | M (NPT) | L mm | L1 mm | Color |
|-------------|--------------|---------|------|-------|----------------|
| 22256904021 | 1/4" | 1/8" | 24.0 | 27.5 | ☐ White & Grey |
| 22256904041 | 1/4" | 1/4" | 29.0 | 27.5 | |
| 22256905021 | 5/16" | 1/8" | 24.0 | 27.5 | |
| 22256905041 | 5/16" | 1/4" | 29.0 | 27.5 | |

Note: Packing 25 unit
* Nuts material is Reinforced PP



BSPT Female Elbow Barb Block Connector

| Cat. No. | Tube OD mm | F (BSPT) | L mm | L1 mm | Color |
|-------------|------------|----------|------|-------|---------|
| 22056046021 | 6 | 1/8" | 25.1 | 27.3 | ☐ White |
| 22056046041 | 6 | 1/4" | 27.0 | 27.3 | |
| 22056048041 | 8 | 1/4" | 27.0 | 27.3 | |

Note: Packing 25 unit
* Nuts material is Reinforced PP

Fittings Products

PVDF Fittings

PVDF



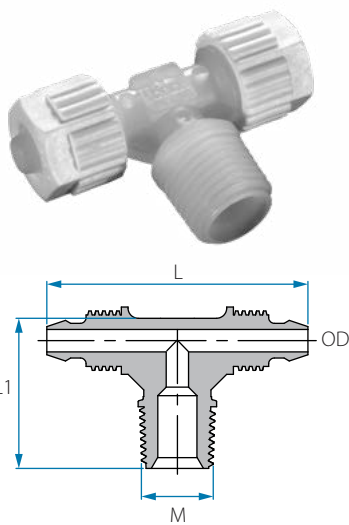
Working pressure
Up to 14 BAR
(200 psi) at 20 °C



Temperature
-20 °C -120 °C
(subject to application)



Fittings' dimensions
refer to tube ID or OD, with respect
to the common application

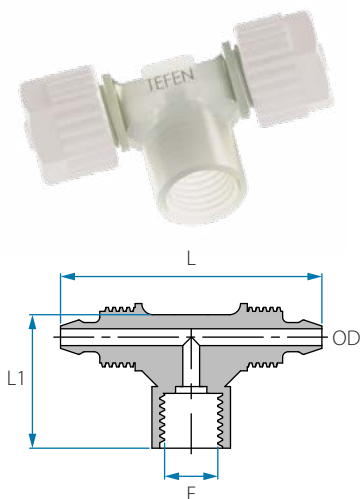


BSPT Male Barb Block Branch T

| Cat. No. | Tube OD mm | M (BSPT) | L mm | L1 mm | Color |
|-------------|------------|----------|------|-------|---------|
| 22057146021 | 6 | 1/8" | 46.8 | 22.6 | ☐ White |
| 22057146041 | 6 | 1/4" | 46.8 | 26.8 | |
| 22057148021 | 8 | 1/8" | 46.8 | 22.6 | |
| 22057148041 | 8 | 1/4" | 46.8 | 26.8 | |
| 22057148061 | 8 | 3/8" | 47.2 | 29.4 | |
| 22057152041 | 12 | 1/4" | 67.0 | 31.6 | |
| 22057152061 | 12 | 3/8" | 67.0 | 32.0 | |
| 22057152081 | 12 | 1/2" | 67.0 | 36.0 | |

| Cat. No. | Tube OD inch | M (BSPT) | L mm | L1 mm | Color |
|-------------|--------------|----------|------|-------|------------------------|
| 22057104021 | 1/4" | 1/8" | 46.8 | 22.6 | ☐ White & Navy Blue |
| 22057104041 | 1/4" | 1/4" | 46.8 | 26.8 | |
| 22057105021 | 5/16" | 1/8" | 46.8 | 22.6 | |
| 22057105041 | 5/16" | 1/4" | 46.8 | 26.8 | |
| 22057105061 | 5/16" | 3/8" | 47.2 | 29.4 | |
| 22057108041 | 1/2" | 1/4" | 67.0 | 31.6 | |
| 22057108061 | 1/2" | 3/8" | 67.0 | 32.0 | |

Note: Packing 25 unit
* Nuts material is Reinforced PP

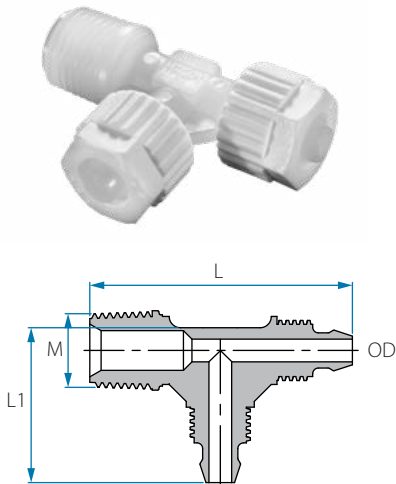


BSPT Female Branch Barb Block Connector

| Cat. No. | Tube OD mm | F (BSPT) | L mm | L1 mm | Color |
|-------------|------------|----------|------|-------|---------|
| 22057346021 | 6 | 1/8" | 46.6 | 25.0 | ☐ White |
| 22057348041 | 8 | 1/4" | 46.8 | 28.9 | |

| Cat. No. | Tube OD inch | F (BSPT) | L mm | L1 mm | Color |
|-------------|--------------|----------|------|-------|------------------------|
| 22057304021 | 1/4" | 1/8" | 46.6 | 25.0 | ☐ White & Navy Blue |
| 22057305041 | 5/16" | 1/4" | 46.8 | 27.2 | |

Note: Packing 25 unit
* Nuts material is Reinforced PP



BSPT Barb Block Male Run T

| Cat. No. | Tube OD mm | M (BSPT) | L mm | L1 mm | Color |
|-------------|------------|----------|------|-------|---------|
| 22057246021 | 6 | 1/8" | 41.9 | 27.5 | ☐ White |
| 22057246041 | 6 | 1/4" | 46.2 | 27.5 | |
| 22057248021 | 8 | 1/8" | 41.9 | 27.5 | |
| 22057248041 | 8 | 1/4" | 46.2 | 27.5 | |
| 22057248061 | 8 | 3/8" | 58.8 | 43.2 | |
| 22057252041 | 12 | 1/4" | 57.7 | 40.3 | |
| 22057252061 | 12 | 3/8" | 62.5 | 40.3 | |
| 22057252081 | 12 | 1/2" | 62.7 | 40.4 | |

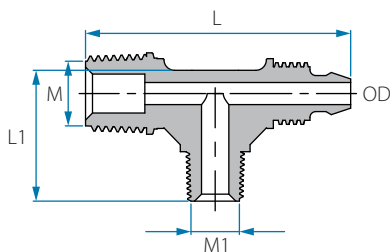
| Cat. No. | Tube OD inch | M (BSPT) | L mm | L1 mm | Color |
|-------------|--------------|----------|------|-------|---------------------|
| 22057204021 | 1/4" | 1/8" | 41.9 | 27.5 | ☐ White & Navy Blue |
| 22057204041 | 1/4" | 1/4" | 46.2 | 27.5 | |
| 22057205021 | 5/16" | 1/8" | 41.9 | 27.5 | |
| 22057205041 | 5/16" | 1/4" | 46.2 | 27.5 | |
| 22057205061 | 5/16" | 3/8" | 58.8 | 43.2 | |
| 22057208041 | 1/2" | 1/4" | 57.7 | 40.3 | |
| 22057208061 | 1/2" | 3/8" | 62.5 | 40.3 | |
| 22057208081 | 1/2" | 1/2" | 62.7 | 40.4 | |

Note: Packing 25 unit
 * Nuts material is Reinforced PP

NPT Male Barb Block Run T

| Cat. No. | Tube OD inch | M (NPT) | L mm | L1 mm | Color |
|-------------|--------------|---------|------|-------|----------------|
| 22257204021 | 1/4" | 1/8" | 43.4 | 27.4 | ☐ White & Grey |
| 22257204041 | 1/4" | 1/4" | 48.2 | 27.4 | |
| 22257205021 | 5/16" | 1/8" | 43.5 | 27.4 | |
| 22257205041 | 5/16" | 1/4" | 48.3 | 27.4 | |
| 22257205061 | 5/16" | 3/8" | 67.0 | 27.4 | |
| 22257208021 | 1/2" | 1/8" | 48.0 | 43.2 | |

Note: Packing 25 unit
 * Nuts material is Reinforced PP



BSPT Male Barb Block T - 2 threads

| Cat. No. | Tube OD mm | M (BSPT) | M1 (BSPT) | L mm | L1 mm | Color |
|-------------|------------|----------|-----------|------|-------|---------|
| 22057802041 | 8 | 1/4" | 1/8" | 46.2 | 22.6 | ☐ White |

Note: Packing 25 unit
 * Nuts material is Reinforced PP

Fittings Products

PVDF Fittings

PVDF



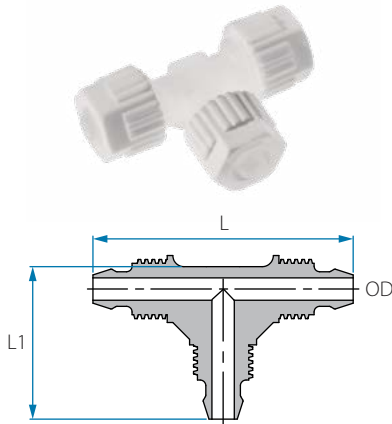
Working pressure
Up to 14 BAR
(200 psi) at 20 °C



Temperature
-20 °C -120 °C
(subject to application)



Fittings' dimensions
refer to tube ID or OD, with respect
to the common application

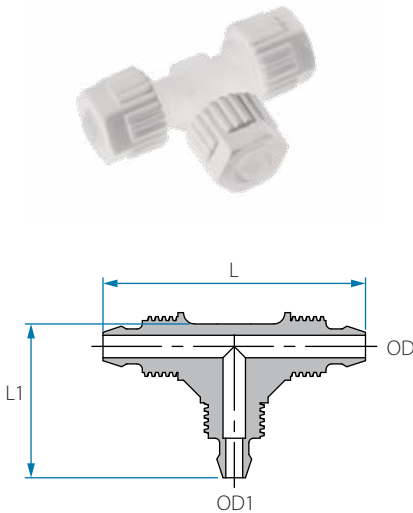


Union T Barb Block Connector

| Cat. No. | Tube OD mm | L mm | L1 mm | Color |
|-------------|------------|------|-------|---------|
| 22056446461 | 6 | 46.8 | 27.5 | ☐ White |
| 22056448481 | 8 | 46.8 | 27.5 | |
| 22056452521 | 12 | 67.1 | 40.4 | |

| Cat. No. | Tube OD inch | L mm | L1 mm | Color |
|-------------|--------------|------|-------|---------------------|
| 22256404041 | ¼" | 46.8 | 27.5 | ☐ White & Navy Blue |
| 22256405051 | ⅝" | 46.8 | 27.5 | |
| 22256408081 | ½" | 67.1 | 40.4 | |

Note: Packing 25 unit
* Nuts material is Reinforced PP

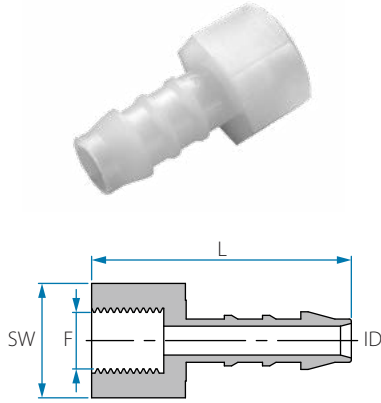


Reducing T Barb Block Connector

| Cat. No. | Tube OD mm | OD1 mm | L mm | L1 mm | Color |
|-------------|------------|--------|------|-------|---------|
| 22055846481 | 6 | 8 | 46.8 | 27.4 | ☐ White |
| 22055848461 | 8 | 6 | 46.8 | 27.4 | |

Note: Packing 25 unit
* Nuts material is Reinforced PP

BSPT Female Hose Connector

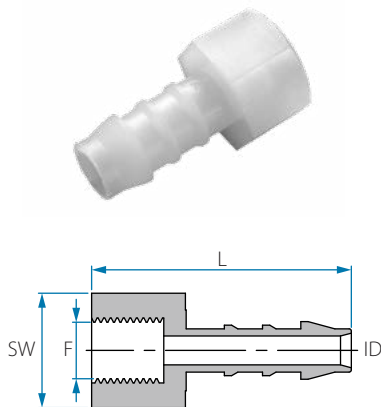


| Cat. No. | Tube ID mm | F (BSPT) | L mm | SW | Color |
|-------------|------------|----------|------|----|-------|
| 12556745021 | 5 | 1/8" | 34.4 | 14 | |
| 12556745041 | 5 | 1/4" | 35.2 | 17 | |
| 12556745061 | 5 | 3/8" | 36.5 | 22 | |
| 12556745081 | 5 | 1/2" | 38.7 | 26 | |
| 12556746021 | 6 | 1/8" | 36.3 | 14 | |
| 12556746041 | 6 | 1/4" | 37.2 | 17 | |
| 12556746061 | 6 | 3/8" | 38.3 | 22 | |
| 12556746081 | 6 | 1/2" | 40.8 | 26 | |
| 12556748021 | 8 | 1/8" | 38.2 | 14 | |
| 12556748041 | 8 | 1/4" | 39.4 | 17 | |
| 12556748061 | 8 | 3/8" | 40.4 | 22 | |
| 12556748081 | 8 | 1/2" | 42.7 | 26 | |
| 12556750041 | 10 | 1/4" | 41.5 | 17 | |
| 12556750061 | 10 | 3/8" | 42.3 | 22 | |
| 12556750081 | 10 | 1/2" | 45.0 | 26 | |
| 12556752041 | 12 | 1/4" | 42.4 | 17 | |
| 12556752061 | 12 | 3/8" | 43.3 | 22 | |
| 12556752081 | 12 | 1/2" | 46.0 | 26 | |
| 12556754061 | 14 | 3/8" | 45.0 | 22 | |
| 12556754081 | 14 | 1/2" | 47.3 | 26 | |
| 12556756081 | 16 | 1/2" | 48.1 | 26 | |
| 12556759081 | 19 | 1/2" | 48.8 | 26 | |

White

Note: Packing 25 unit

NPT Female Hose Connector



| Cat. No. | Tube ID inch | F (NPT) | L mm | SW | Color |
|-------------|--------------|---------|------|----|-------|
| 12356704021 | 1/4" | 1/8" | 36.7 | 14 | |
| 12356704041 | 1/4" | 1/4" | 40.1 | 17 | |
| 12356704061 | 1/4" | 3/8" | 40.0 | 22 | |
| 12356704081 | 1/4" | 1/2" | 43.7 | 27 | |
| 12356705021 | 5/16" | 1/8" | 38.9 | 14 | |
| 12356705041 | 5/16" | 1/4" | 41.8 | 17 | |
| 12356705061 | 5/16" | 3/8" | 42.0 | 22 | |
| 12356705081 | 5/16" | 1/2" | 45.0 | 27 | |
| 12356706041 | 3/8" | 1/4" | 44.1 | 17 | |
| 12356706061 | 3/8" | 3/8" | 43.9 | 22 | |
| 12356706081 | 3/8" | 1/2" | 47.2 | 27 | |
| 12356708041 | 1/2" | 1/4" | 44.7 | 17 | |
| 12356708061 | 1/2" | 3/8" | 45.2 | 22 | |
| 12356708081 | 1/2" | 1/2" | 48.8 | 27 | |
| 12356709061 | 9/16" | 3/8" | 46.5 | 22 | |
| 12356709081 | 9/16" | 1/2" | 50.3 | 27 | |
| 12356710081 | 5/8" | 1/2" | 50.4 | 27 | |
| 12356712081 | 3/4" | 1/2" | 51.7 | 27 | |

White

Note: Packing 25 unit

Fittings Products

PVDF Fittings

PVDF



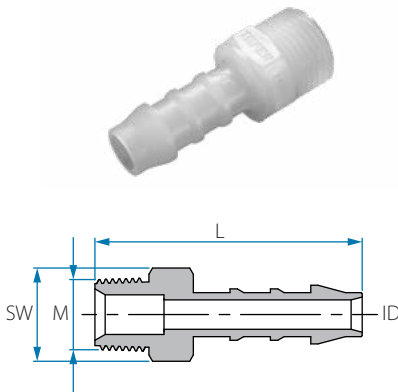
Working pressure
Up to 14 BAR
(200 psi) at 20 °C



Temperature
-20 °C -120 °C
(subject to application)



Fittings' dimensions
refer to tube ID or OD, with respect
to the common application



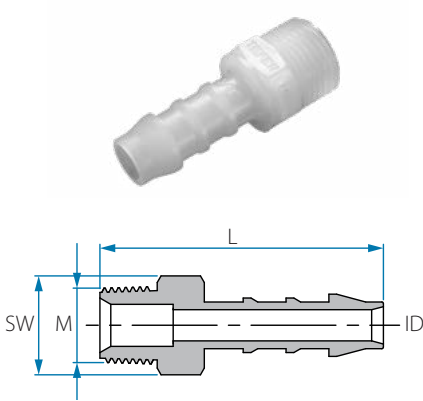
BSPT Male Hose Connector

| Cat. No. | Tube ID mm | M (BSPT) | L mm | SW | Color |
|-------------|------------|----------|------|----|-------|
| 12556844021 | 4 | 1/8" | 31.2 | 11 | |
| 12556844041 | 4 | 1/4" | 33.8 | 14 | |
| 12556845021 | 5 | 1/8" | 34.7 | 11 | |
| 12556845041 | 5 | 1/4" | 38.3 | 14 | |
| 12556846021 | 6 | 1/8" | 35.0 | 11 | |
| 12556846041 | 6 | 1/4" | 39.2 | 14 | |
| 12556846061 | 6 | 3/8" | 39.1 | 17 | |
| 12556846081 | 6 | 1/2" | 42.3 | 22 | |
| 12556846121 | 6 | 3/4" | 43.0 | 22 | |
| 12556848021 | 8 | 1/8" | 39.8 | 11 | |
| 12556848041 | 8 | 1/4" | 43.0 | 14 | |
| 12556848061 | 8 | 3/8" | 43.0 | 17 | |
| 12556848081 | 8 | 1/2" | 46.1 | 22 | |
| 12556848121 | 8 | 3/4" | 37.1 | 17 | |
| 12556850041 | 10 | 1/4" | 47.1 | 14 | |
| 12556850061 | 10 | 3/8" | 45.2 | 17 | |
| 12556850081 | 10 | 1/2" | 48.3 | 22 | |
| 12556850121 | 10 | 3/4" | 49.3 | 27 | |
| 12556852041 | 12 | 1/4" | 46.0 | 14 | |
| 12556852061 | 12 | 3/8" | 46.0 | 17 | |
| 12556852081 | 12 | 1/2" | 49.3 | 22 | |
| 12556852121 | 12 | 3/4" | 50.0 | 27 | |
| 12556854061 | 14 | 3/8" | 47.5 | 17 | |
| 12556854081 | 14 | 1/2" | 50.8 | 22 | |
| 12556854121 | 14 | 3/4" | 51.7 | 27 | |
| 12556856081 | 16 | 1/2" | 51.3 | 22 | |
| 12556856121 | 16 | 3/4" | 52.2 | 27 | |
| 12556859081 | 19 | 1/2" | 52.2 | 22 | |
| 12556859121 | 19 | 3/4" | 53.3 | 27 | |
| 12556859161 | 19 | 1" | 60.1 | 36 | |
| 12556865121 | 25 | 3/4" | 54.8 | 27 | |
| 12556865161 | 25 | 1" | 66.6 | 36 | |

White

Note: Packing 25 unit

NPT Male Hose Connector



| Cat. No. | Tube ID inch | M (NPT) | L mm | SW | Color |
|-------------|--------------|---------|------|----|--------------------------------|
| 12356802021 | 5/32" | 1/8" | 30.7 | 11 | |
| 12356802041 | 5/32" | 1/4" | 35.3 | 14 | |
| 12356803021 | 3/16" | 1/8" | 36.3 | 11 | |
| 12356803041 | 3/16" | 1/4" | 39.7 | 14 | |
| 12356804021 | 1/4" | 1/8" | 36.1 | 11 | |
| 12356804041 | 1/4" | 1/4" | 40.6 | 14 | |
| 12356804061 | 1/4" | 3/8" | 41.9 | 17 | |
| 12356804081 | 1/4" | 1/2" | 46.7 | 22 | |
| 12356805021 | 5/16" | 1/8" | 40.2 | 11 | |
| 12356805041 | 5/16" | 1/4" | 44.7 | 14 | |
| 12356805061 | 5/16" | 3/8" | 45.9 | 17 | |
| 12356805081 | 5/16" | 1/2" | 51.0 | 22 | |
| 12356806041 | 3/8" | 1/4" | 46.5 | 14 | |
| 12356806061 | 3/8" | 3/8" | 47.7 | 17 | <input type="checkbox"/> White |
| 12356806081 | 3/8" | 1/2" | 53.2 | 22 | |
| 12356806121 | 3/8" | 3/4" | 54.3 | 27 | |
| 12356808041 | 1/2" | 1/4" | 47.7 | 14 | |
| 12356808061 | 1/2" | 3/8" | 48.9 | 17 | |
| 12356808081 | 1/2" | 1/2" | 53.7 | 22 | |
| 12356808121 | 1/2" | 3/4" | 54.7 | 27 | |
| 12356809061 | 9/16" | 3/8" | 51.6 | 17 | |
| 12356809081 | 9/16" | 1/2" | 55.4 | 22 | |
| 12356809121 | 9/16" | 3/4" | 56.1 | 27 | |
| 12356810081 | 5/8" | 1/2" | 56.3 | 22 | |
| 12356810121 | 5/8" | 3/4" | 56.8 | 27 | |
| 12356812081 | 3/4" | 1/2" | 56.9 | 22 | |
| 12356812121 | 3/4" | 3/4" | 57.7 | 27 | |

Note: Packing 25 unit

Fittings Products

PVDF Fittings

PVDF



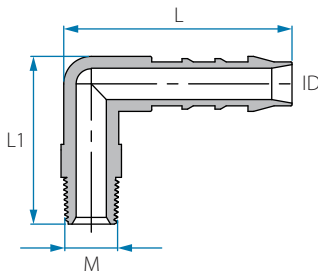
Working pressure
Up to 14 BAR
(200 psi) at 20 °C



Temperature
-20 °C -120 °C
(subject to application)



Fittings' dimensions
refer to tube ID or OD, with respect
to the common application

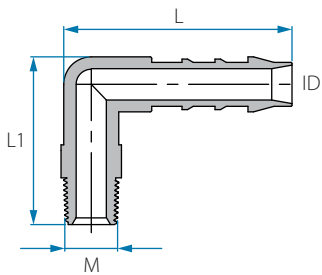


BSPT Male Elbow Hose Connector

| Cat. No. | Tube ID mm | M (BSPT) | L mm | L1 mm | Color |
|-------------|------------|----------|------|-------|-------|
| 12556944021 | 4 | 1/8" | 26.7 | 24.1 | |
| 12556944041 | 4 | 1/4" | 26.7 | 27.2 | |
| 12556945021 | 5 | 1/8" | 31.8 | 26.8 | |
| 12556945041 | 5 | 1/4" | 29.8 | 32.0 | |
| 12556945081 | 5 | 1/2" | 31.8 | 33.0 | |
| 12556946021 | 6 | 1/8" | 35.5 | 27.3 | |
| 12556946041 | 6 | 1/4" | 35.5 | 29.8 | |
| 12556946061 | 6 | 3/8" | 35.5 | 30.0 | |
| 12556946081 | 6 | 1/2" | 35.5 | 33.7 | |
| 12556948021 | 8 | 1/8" | 41.5 | 30.4 | |
| 12556948041 | 8 | 1/4" | 41.5 | 32.8 | |
| 12556948061 | 8 | 3/8" | 41.5 | 32.8 | |
| 12556948081 | 8 | 1/2" | 41.5 | 36.8 | |
| 12556950041 | 10 | 1/4" | 45.5 | 33.9 | |
| 12556950061 | 10 | 3/8" | 45.5 | 34.1 | |
| 12556950081 | 10 | 1/2" | 45.5 | 37.8 | |
| 12556950121 | 10 | 3/4" | 45.5 | 38.9 | |
| 12556952041 | 12 | 1/4" | 48.7 | 35.0 | |
| 12556952061 | 12 | 3/8" | 48.7 | 35.3 | |
| 12556952081 | 12 | 1/2" | 48.7 | 39.0 | |
| 12556952121 | 12 | 3/4" | 48.7 | 39.7 | |
| 12556954061 | 14 | 3/8" | 51.4 | 38.5 | |
| 12556954081 | 14 | 1/2" | 51.4 | 42.3 | |
| 12556954121 | 14 | 3/4" | 51.4 | 43.3 | |
| 12556956081 | 16 | 1/2" | 53.7 | 44.9 | |
| 12556956121 | 16 | 3/4" | 53.7 | 46.0 | |
| 12556959081 | 19 | 1/2" | 56.0 | 46.4 | |
| 12556959121 | 19 | 3/4" | 56.4 | 47.5 | |

White

Note: Packing 25 unit



NPT Male Elbow Hose Connector

| Cat. No. | Tube ID inch | M (NPT) | L mm | L1 mm | Color |
|-------------|--------------|---------|------|-------|-------|
| 12356902021 | 5/32" | 1/8" | 25.7 | 26.0 | |
| 12356902041 | 5/32" | 1/4" | 25.9 | 31.1 | |
| 12356903021 | 3/16" | 1/8" | 31.8 | 28.6 | |
| 12356903041 | 3/16" | 1/4" | 33.5 | 31.8 | |
| 12356903081 | 3/16" | 1/2" | 40.1 | 31.8 | |
| 12356904021 | 1/4" | 1/8" | 35.4 | 29.0 | |
| 12356904041 | 1/4" | 1/4" | 35.5 | 33.7 | |
| 12356904061 | 1/4" | 3/8" | 35.5 | 33.8 | |
| 12356904081 | 1/4" | 1/2" | 40.0 | 35.4 | |
| 12356905021 | 5/16" | 1/8" | 41.5 | 32.1 | |
| 12356905041 | 5/16" | 1/4" | 41.2 | 36.7 | |
| 12356905061 | 5/16" | 3/8" | 41.5 | 36.6 | |
| 12356905081 | 5/16" | 1/2" | 41.5 | 43.1 | |
| 12356906041 | 3/8" | 1/4" | 45.4 | 37.7 | |
| 12356906061 | 3/8" | 3/8" | 45.3 | 37.5 | White |
| 12356906081 | 3/8" | 1/2" | 45.4 | 44.4 | |
| 12356906121 | 3/8" | 3/4" | 45.4 | 44.0 | |
| 12356908041 | 1/2" | 1/4" | 48.6 | 39.0 | |
| 12356908061 | 1/2" | 3/8" | 48.3 | 28.6 | |
| 12356908081 | 1/2" | 1/2" | 48.7 | 45.2 | |
| 12356908121 | 1/2" | 3/4" | 48.7 | 45.2 | |
| 12356909061 | 9/16" | 3/8" | 51.4 | 42.2 | |
| 12356909081 | 9/16" | 1/2" | 51.4 | 48.6 | |
| 12356909121 | 9/16" | 3/4" | 51.5 | 48.5 | |
| 12356910081 | 5/8" | 1/2" | 53.8 | 51.5 | |
| 12356910121 | 5/8" | 3/4" | 53.8 | 51.4 | |
| 12356912081 | 3/4" | 1/2" | 56.6 | 52.8 | |
| 12356912121 | 3/4" | 3/4" | 56.2 | 53.0 | |

Note: Packing 25 unit

Fittings Products

PVDF Fittings

PVDF



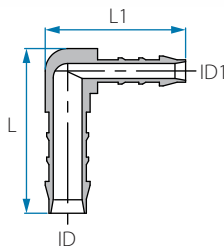
Working pressure
Up to 14 BAR
(200 psi) at 20 °C



Temperature
-20 °C -120 °C
(subject to application)



Fittings' dimensions
refer to tube ID or OD, with respect
to the common application

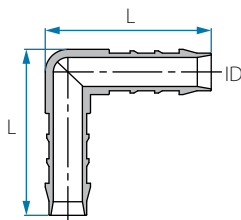


Reducing Elbow Hose Connector

| Cat. No. | Tube ID mm | Tube ID1 mm | L mm | L1 mm | Color |
|-------------|------------|-------------|------|-------|-------|
| 12556645441 | 5 | 4 | 31.8 | 27.8 | |
| 12556646441 | 6 | 4 | 35.5 | 29.0 | |
| 12556646451 | 6 | 5 | 35.4 | 34.1 | |
| 12556648461 | 8 | 6 | 41.6 | 39.3 | |
| 12556650461 | 10 | 6 | 45.3 | 40.1 | White |
| 12556650481 | 10 | 8 | 42.1 | 45.2 | |
| 12556652501 | 12 | 10 | 48.7 | 45.6 | |
| 12556654521 | 14 | 12 | 51.5 | 49.6 | |
| 12556656541 | 16 | 14 | 53.8 | 53.6 | |
| 12556659561 | 19 | 16 | 56.2 | 56.1 | |

| Cat. No. | Tube ID inch | Tube ID1 inch | L mm | L1 mm | Color |
|-------------|--------------|---------------|------|-------|-------|
| 12356603021 | 3/16" | 5/32" | 31.8 | 27.9 | |
| 12356604031 | 1/4" | 3/16" | 35.5 | 34.0 | |
| 12356605041 | 5/16" | 1/4" | 41.6 | 39.4 | |
| 12356606041 | 3/8" | 1/4" | 45.3 | 40.2 | |
| 12356606051 | 3/8" | 5/16" | 45.5 | 42.5 | White |
| 12356608061 | 1/2" | 3/8" | 48.6 | 45.8 | |
| 12356609081 | 9/16" | 1/2" | 51.1 | 49.8 | |
| 12356610091 | 5/8" | 9/16" | 53.6 | 53.6 | |
| 12356612101 | 3/4" | 5/8" | 55.8 | 55.8 | |

Note: Packing 25 unit



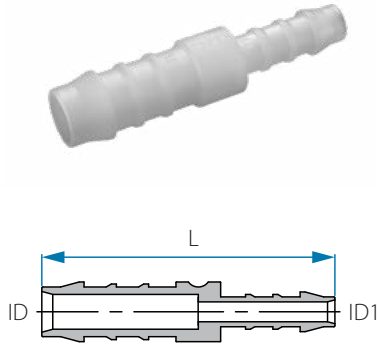
Union Elbow Hose Connector

| Cat. No. | Tube ID mm | L mm | Color |
|-------------|------------|------|-------|
| 12556544001 | 4 | 26.3 | |
| 12556545001 | 5 | 31.7 | |
| 12556546001 | 6 | 35.5 | |
| 12556548001 | 8 | 34.7 | |
| 12556550001 | 10 | 40.9 | White |
| 12556552001 | 12 | 46.3 | |
| 12556554001 | 14 | 51.0 | |
| 12556556001 | 16 | 53.9 | |
| 12556559001 | 19 | 55.3 | |

| Cat. No. | Tube ID inch | L mm | Color |
|-------------|--------------|------|-------|
| 12356502001 | 5/32" | 26.3 | |
| 12356503001 | 3/16" | 31.7 | |
| 12356504001 | 1/4" | 35.5 | |
| 12356505001 | 5/16" | 34.7 | |
| 12356506001 | 3/8" | 40.9 | White |
| 12356508001 | 1/2" | 46.3 | |
| 12356509001 | 9/16" | 51.0 | |
| 12356510001 | 5/8" | 53.9 | |
| 12356512001 | 3/4" | 55.3 | |

Note: Packing 25 unit

Reducing Hose Connector



| Cat. No. | Tube ID mm | Tube ID1 mm | L mm | Color |
|-------------|------------|-------------|------|--------------------------------|
| 12555645441 | 5 | 4 | 42.2 | |
| 12555646441 | 6 | 4 | 45.7 | |
| 12555646451 | 6 | 5 | 50.6 | |
| 12555648451 | 8 | 5 | 54.4 | |
| 12555648461 | 8 | 6 | 56.3 | |
| 12555650461 | 10 | 6 | 58.9 | |
| 12555650481 | 10 | 8 | 62.0 | |
| 12555652481 | 12 | 8 | 63.8 | <input type="checkbox"/> White |
| 12555652501 | 12 | 10 | 65.3 | |
| 12555654501 | 14 | 10 | 69.1 | |
| 12555654521 | 14 | 12 | 69.9 | |
| 12555656521 | 16 | 12 | 70.3 | |
| 12555656541 | 16 | 14 | 71.7 | |
| 12555659541 | 19 | 14 | 72.7 | |
| 12555659561 | 19 | 16 | 73.2 | |

| Cat. No. | Tube ID inch | Tube ID1 inch | L mm | Color |
|-------------|--------------|---------------|------|--------------------------------|
| 12355603021 | 3/16" | 5/32" | 42.2 | |
| 12355604021 | 1/4" | 5/32" | 45.7 | |
| 12355604031 | 1/4" | 3/16" | 50.6 | |
| 12355605031 | 5/16" | 3/16" | 54.4 | |
| 12355605041 | 5/16" | 1/4" | 56.3 | |
| 12355606041 | 3/8" | 1/4" | 58.9 | |
| 12355606051 | 3/8" | 5/16" | 62.0 | |
| 12355608051 | 1/2" | 5/16" | 63.8 | <input type="checkbox"/> White |
| 12355608061 | 1/2" | 3/8" | 65.3 | |
| 12355609061 | 9/16" | 3/8" | 69.1 | |
| 12355609081 | 9/16" | 1/2" | 69.9 | |
| 12355610081 | 5/8" | 1/2" | 70.3 | |
| 12355610091 | 5/8" | 9/16" | 71.7 | |
| 12355612091 | 3/4" | 9/16" | 72.7 | |
| 12355612101 | 3/4" | 5/8" | 73.2 | |

Note: Packing 25 unit

Fittings Products

PVDF Fittings

PVDF



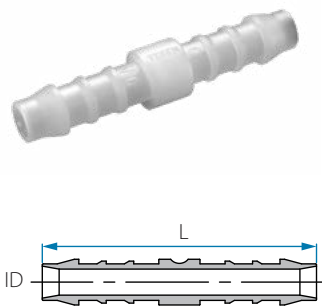
Working pressure
Up to 14 BAR
(200 psi) at 20 °C



Temperature
-20 °C -120 °C
(subject to application)



Fittings' dimensions
refer to tube ID or OD, with respect
to the common application

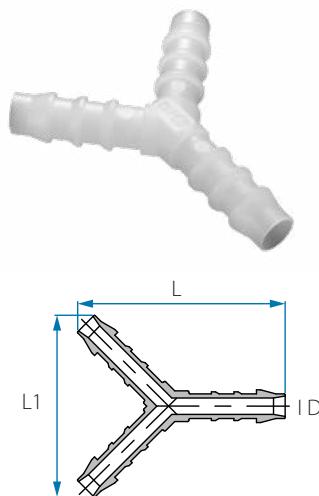


Union Hose Connector

| Cat. No. | Tube ID mm | L mm | Color |
|-------------|------------|------|-------|
| 12556244001 | 4 | 36.6 | |
| 12556245001 | 5 | 47.0 | |
| 12556246001 | 6 | 52.2 | |
| 12556248001 | 8 | 59.3 | |
| 12556250001 | 10 | 63.0 | White |
| 12556252001 | 12 | 66.0 | |
| 12556254001 | 14 | 71.8 | |
| 12556256001 | 16 | 72.5 | |
| 12556259001 | 19 | 73.5 | |

| Cat. No. | Tube ID inch | L mm | Color |
|-------------|--------------|------|-------|
| 12356202001 | 5/32" | 36.6 | |
| 12356203001 | 3/16" | 47.0 | |
| 12356204001 | 1/4" | 52.2 | |
| 12356205001 | 5/16" | 59.3 | |
| 12356206001 | 3/8" | 63.0 | White |
| 12356208001 | 1/2" | 66.3 | |
| 12356209001 | 9/16" | 71.9 | |
| 12356210001 | 5/8" | 71.4 | |
| 12356211001 | 11/16" | 59.1 | |
| 12356212001 | 3/4" | 73.8 | |

Note: Packing 25 unit



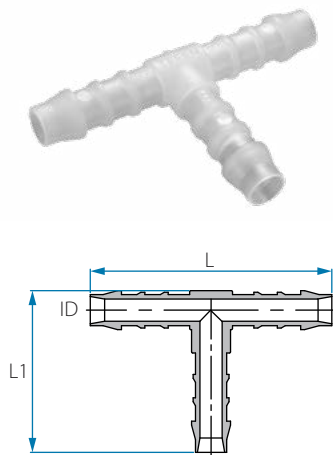
Y Hose Connector

| Cat. No. | Tube ID mm | L mm | L1 mm | Color |
|-------------|------------|------|-------|-------|
| 12556344441 | 4 | 35.0 | 31.0 | |
| 12556346461 | 6 | 51.2 | 44.5 | |
| 12556348481 | 8 | 56.6 | 40.6 | White |
| 12556350501 | 10 | 62.3 | 55.0 | |
| 12556357571 | 17 | 63.3 | 57.7 | |

| Cat. No. | Tube ID inch | L mm | L1 mm | Color |
|-------------|--------------|------|-------|-------|
| 12356302021 | 5/32" | 35.5 | 30.8 | |
| 12356304041 | 1/4" | 50.8 | 44.3 | |
| 12356305051 | 5/16" | 55.6 | 49.4 | White |
| 12356306061 | 3/8" | 60.8 | 54.9 | |
| 12356311111 | 11/16" | 62.5 | 57.4 | |

Note: Packing 25 unit

Union T Hose Connector

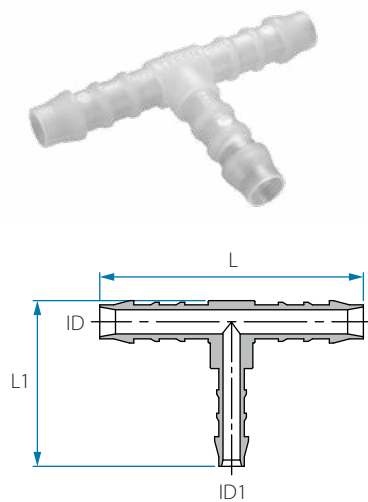


| Cat. No. | Tube ID mm | L mm | L1 mm | Color |
|-------------|------------|------|-------|--------------------------------|
| 12556444441 | 4 | 39.5 | 24.3 | |
| 12556445451 | 5 | 50.7 | 30.8 | |
| 12556446461 | 6 | 55.8 | 34.0 | |
| 12556448481 | 8 | 61.7 | 38.5 | |
| 12556450501 | 10 | 66.5 | 41.2 | <input type="checkbox"/> White |
| 12556452521 | 12 | 70.5 | 44.8 | |
| 12556454541 | 14 | 76.3 | 49.1 | |
| 12556456561 | 16 | 79.2 | 52.1 | |
| 12556459591 | 19 | 84.4 | 55.7 | |

| Cat. No. | Tube ID inch | L mm | L1 mm | Color |
|-------------|--------------|------|-------|--------------------------------|
| 12356402021 | 5/32" | 39.4 | 24.3 | |
| 12356403031 | 3/16" | 50.6 | 30.9 | |
| 12356404041 | 1/4" | 55.2 | 31.8 | |
| 12356405051 | 5/16" | 55.2 | 31.8 | |
| 12356406061 | 3/8" | 66.5 | 41.4 | <input type="checkbox"/> White |
| 12356408081 | 1/2" | 70.8 | 45.0 | |
| 12356409091 | 9/16" | 76.3 | 49.1 | |
| 12356410101 | 5/8" | 78.7 | 51.4 | |
| 12356412121 | 3/4" | 83.8 | 55.9 | |

Note: Packing 25 unit

Reducing T Hose Connector



| Cat. No. | Tube ID mm | Tube ID1 mm | L mm | L1 mm | Color |
|-------------|------------|-------------|------|-------|--------------------------------|
| 12557245441 | 5 | 4 | 50.7 | 25.7 | |
| 12557246451 | 6 | 5 | 55.7 | 31.8 | |
| 12557248461 | 8 | 6 | 61.5 | 36.2 | |
| 12557250481 | 10 | 8 | 66.5 | 39.3 | |
| 12557252501 | 12 | 10 | 70.6 | 44.5 | <input type="checkbox"/> White |
| 12557254521 | 14 | 12 | 76.7 | 44.5 | |
| 12557256541 | 16 | 14 | 79.5 | 51.1 | |
| 12357259561 | 19 | 16 | 84.6 | 55.4 | |

| Cat. No. | Tube ID inch | Tube ID1 inch | L mm | L1 mm | Color |
|-------------|--------------|---------------|------|-------|--------------------------------|
| 12357203021 | 3/16" | 5/32" | 50.6 | 25.9 | |
| 12357204031 | 1/4" | 3/16" | 55.8 | 32.0 | |
| 12357205041 | 5/16" | 1/4" | 61.5 | 36.2 | |
| 12357206051 | 3/8" | 5/16" | 66.5 | 39.3 | |
| 12357208061 | 1/2" | 3/8" | 70.3 | 43.5 | <input type="checkbox"/> White |
| 12357209081 | 9/16" | 1/2" | 76.3 | 48.0 | |
| 12357210091 | 5/8" | 9/16" | 79.4 | 51.0 | |
| 12357212101 | 3/4" | 5/8" | 84.3 | 55.2 | |

Note: Packing 25 unit

Fittings Products

PVDF Fittings

PVDF



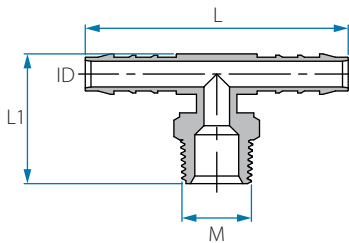
Working pressure
Up to 14 BAR
(200 psi) at 20 °C



Temperature
-20 °C -120 °C
(subject to application)



Fittings' dimensions
refer to tube ID or OD, with respect
to the common application

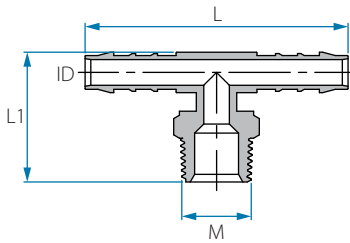


BSPT Male Branch T Hose Connector

| Cat. No. | Tube ID mm | M (BSPT) | L mm | L1 mm | Color |
|-------------|------------|----------|------|-------|--------------------------------|
| 12557144021 | 4 | 1/8" | 39.4 | 22.2 | |
| 12557144041 | 4 | 1/4" | 45.2 | 27.0 | |
| 12557145021 | 5 | 1/8" | 50.9 | 23.8 | |
| 12557145041 | 5 | 1/4" | 56.5 | 29.6 | |
| 12557146021 | 6 | 1/8" | 55.8 | 24.8 | |
| 12557146041 | 6 | 1/4" | 63.1 | 30.0 | |
| 12557146061 | 6 | 3/8" | 63.1 | 30.0 | |
| 12557146081 | 6 | 1/2" | 63.1 | 33.8 | |
| 12557148021 | 8 | 1/8" | 61.7 | 27.3 | |
| 12557148041 | 8 | 1/4" | 72.7 | 33.1 | |
| 12557148061 | 8 | 3/8" | 72.7 | 33.1 | |
| 12557148081 | 8 | 1/2" | 61.8 | 33.9 | |
| 12557150041 | 10 | 1/4" | 78.7 | 34.1 | |
| 12557150061 | 10 | 3/8" | 78.7 | 34.1 | <input type="checkbox"/> White |
| 12557150081 | 10 | 1/2" | 78.9 | 38.1 | |
| 12557150121 | 10 | 3/4" | 78.9 | 39.1 | |
| 12557152041 | 12 | 1/4" | 82.7 | 35.2 | |
| 12557152061 | 12 | 3/8" | 82.7 | 35.2 | |
| 12557152081 | 12 | 1/2" | 82.6 | 39.1 | |
| 12557152121 | 12 | 3/4" | 82.6 | 40.0 | |
| 12557154061 | 14 | 3/8" | 85.6 | 38.5 | |
| 12557154081 | 14 | 1/2" | 85.6 | 42.1 | |
| 12557154121 | 14 | 3/4" | 85.6 | 43.3 | |
| 12557156081 | 16 | 1/2" | 88.2 | 45.0 | |
| 12557156121 | 16 | 3/4" | 88.5 | 46.3 | |
| 12557159081 | 19 | 1/2" | 90.3 | 46.3 | |
| 12557159121 | 19 | 3/4" | 90.7 | 47.7 | |

Note: Packing 25 unit

NPT Male Branch T Hose Connector



| Cat. No. | Tube ID inch | M (NPT) | L mm | L1 mm | Color |
|-------------|--------------|---------|------|-------|-------|
| 12357102021 | 5/32" | 1/8" | 45.1 | 26.0 | |
| 12357102041 | 5/32" | 1/4" | 45.1 | 30.7 | |
| 12357103021 | 3/16" | 1/8" | 56.3 | 28.6 | |
| 12357103041 | 3/16" | 1/4" | 56.3 | 33.4 | |
| 12357103081 | 3/16" | 1/2" | 56.3 | 39.3 | |
| 12357104021 | 1/4" | 1/8" | 63.0 | 29.4 | |
| 12357104041 | 1/4" | 1/4" | 63.0 | 33.8 | |
| 12357104061 | 1/4" | 3/8" | 63.0 | 33.7 | |
| 12357104081 | 1/4" | 1/2" | 63.0 | 40.3 | |
| 12357105021 | 5/16" | 1/8" | 72.5 | 32.3 | |
| 12357105041 | 5/16" | 1/4" | 72.5 | 36.8 | |
| 12357105061 | 5/16" | 3/8" | 72.5 | 36.9 | |
| 12357105081 | 5/16" | 1/2" | 72.5 | 42.8 | |
| 12357106041 | 3/8" | 1/4" | 78.5 | 38.0 | |
| 12357106061 | 3/8" | 3/8" | 78.5 | 37.7 | White |
| 12357106081 | 3/8" | 1/2" | 78.5 | 44.0 | |
| 12357106121 | 3/8" | 3/4" | 78.5 | 43.8 | |
| 12357108041 | 1/2" | 1/4" | 82.6 | 39.3 | |
| 12357108061 | 1/2" | 3/8" | 82.6 | 38.8 | |
| 12357108081 | 1/2" | 1/2" | 82.6 | 45.5 | |
| 12357108121 | 1/2" | 3/4" | 82.6 | 45.5 | |
| 12357109061 | 9/16" | 3/8" | 85.2 | 42.6 | |
| 12357109081 | 9/16" | 1/2" | 85.2 | 48.3 | |
| 12357109121 | 9/16" | 3/4" | 85.2 | 48.3 | |
| 12357110081 | 5/8" | 1/2" | 88.4 | 51.5 | |
| 12357110121 | 5/8" | 3/4" | 88.4 | 51.1 | |
| 12357112081 | 3/4" | 1/2" | 90.5 | 53.0 | |
| 12357112121 | 3/4" | 3/4" | 90.5 | 52.5 | |

Note: Packing 25 unit

Fittings Products

PVDF Fittings

PVDF



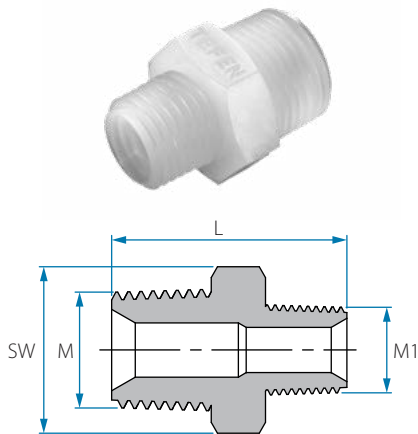
Working pressure
Up to 14 BAR
(200 psi) at 20 °C



Temperature
-20 °C -120 °C
(subject to application)



Fittings' dimensions
refer to tube ID or OD, with respect
to the common application



BSPT Pipe Reducing Nipple

| Cat. No. | M (BSPT) | MI (BSPT) | L mm | SW | Color |
|-------------|----------|-----------|------|----|--------------------------------|
| 12052304021 | 1/4" | 1/8" | 25.2 | 14 | |
| 12052306021 | 3/8" | 1/8" | 27.1 | 17 | |
| 12052308021 | 1/2" | 1/8" | 29.3 | 22 | <input type="checkbox"/> White |
| 12052306041 | 3/8" | 1/4" | 28.5 | 17 | |
| 12052308041 | 1/2" | 1/4" | 31.5 | 22 | |
| 12052308061 | 1/2" | 3/8" | 31.8 | 22 | |
| 12052312081 | 3/4" | 1/2" | | | |

Note: Packing 25 unit

NPT Pipe Reducing Nipple

| Cat. No. | M (NPT) | MI (NPT) | L mm | SW | Color |
|-------------|---------|----------|------|----|--------------------------------|
| 12062304021 | 1/4" | 1/8" | 28.4 | 14 | |
| 12062306021 | 3/8" | 1/8" | 29.6 | 17 | |
| 12062308021 | 1/2" | 1/8" | 34.9 | 22 | |
| 12062312021 | 3/4" | 1/8" | 35.4 | 27 | |
| 12062306041 | 3/8" | 1/4" | 33.4 | 17 | <input type="checkbox"/> White |
| 12062308041 | 1/2" | 1/4" | 38.7 | 22 | |
| 12062312041 | 3/4" | 1/4" | 39.4 | 27 | |
| 12062308061 | 1/2" | 3/8" | 39.1 | 22 | |
| 12062312061 | 3/4" | 3/8" | 39.6 | 27 | |
| 12062312081 | 3/4" | 1/2" | 44.1 | 27 | |

Note: Packing 25 unit

BSPT Pipe Hex Nipple

| Cat. No. | M (BSPT) | L mm | SW | Color |
|-------------|----------|------|----|--------------------------------|
| 12052202021 | 1/8" | 22.9 | 11 | |
| 12052204041 | 1/4" | 28.2 | 15 | <input type="checkbox"/> White |
| 12052206061 | 3/8" | 27.7 | 17 | |
| 12052208081 | 1/2" | 34 | 22 | |

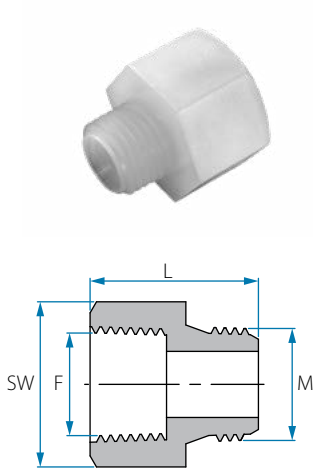
Note: Packing 25 unit

NPT Pipe Hex Nipple

| Cat. No. | M (NPT) | L mm | SW | Color |
|-------------|---------|------|----|--------------------------------|
| 12062202021 | 1/8" | 23.7 | 11 | |
| 12062204041 | 1/4" | 32.3 | 14 | |
| 12062206061 | 3/8" | 34.4 | 17 | <input type="checkbox"/> White |
| 12062208081 | 1/2" | 43.3 | 22 | |
| 12062212121 | 3/4" | 43.9 | 27 | |

Note: Packing 25 unit

BSPT Pipe Adaptor



| Cat. No. | F (BSPT) | M (BSPT) | L mm | SW | Color |
|-------------|----------|----------|------|----|-------|
| 12052002021 | 1/8" | 1/8" | 23.0 | 14 | |
| 12052002041 | 1/8" | 1/4" | 23.0 | 14 | |
| 12052002061 | 1/8" | 3/8" | 24.0 | 14 | |
| 12052002081 | 1/8" | 1/2" | 26.9 | 14 | |
| 12052004021 | 1/4" | 1/8" | 22.1 | 17 | |
| 12052004041 | 1/4" | 1/4" | 24.0 | 17 | |
| 12052004061 | 1/4" | 3/8" | 24.8 | 17 | |
| 12052004081 | 1/4" | 1/2" | 27.2 | 17 | |
| 12052006021 | 3/8" | 1/8" | 23.1 | 22 | White |
| 12052006041 | 3/8" | 1/4" | 25.2 | 22 | |
| 12052006061 | 3/8" | 3/8" | 25.7 | 22 | |
| 12052006081 | 3/8" | 1/2" | 28.2 | 22 | |
| 12052008021 | 1/2" | 1/8" | 25.6 | 26 | |
| 12052008041 | 1/2" | 1/4" | 27.3 | 26 | |
| 12052008061 | 1/2" | 3/8" | 28.0 | 26 | |
| 12052008081 | 1/2" | 1/2" | 30.6 | 26 | |

Note: Packing 25 unit

NPT Pipe Adaptor

| Cat. No. | F (NPT) | M (NPT) | L mm | SW | Color |
|-------------|---------|---------|------|----|-------|
| 12062002021 | 1/8" | 1/8" | 23.4 | 14 | |
| 12062002041 | 1/8" | 1/4" | 23.4 | 14 | |
| 12062002061 | 1/8" | 3/8" | 27.4 | 14 | |
| 12062002081 | 1/8" | 1/2" | 32.5 | 14 | |
| 12062004021 | 1/4" | 1/8" | 26.5 | 17 | |
| 12062004041 | 1/4" | 1/4" | 30.7 | 17 | |
| 12062004061 | 1/4" | 3/8" | 30.5 | 17 | |
| 12062004081 | 1/4" | 1/2" | 35.5 | 17 | |
| 12062006021 | 3/8" | 1/8" | 26.3 | 22 | White |
| 12062006041 | 3/8" | 1/4" | 26.5 | 22 | |
| 12062006061 | 3/8" | 3/8" | 30.4 | 22 | |
| 12062006081 | 3/8" | 1/2" | 35.5 | 22 | |
| 12062008021 | 1/2" | 1/8" | 30.0 | 26 | |
| 12062008041 | 1/2" | 1/4" | 34.0 | 26 | |
| 12062008061 | 1/2" | 3/8" | 36.6 | 26 | |
| 12062008081 | 1/2" | 1/2" | 39.0 | 26 | |

Note: Packing 25 unit

Fittings Products

PVDF Fittings

PVDF



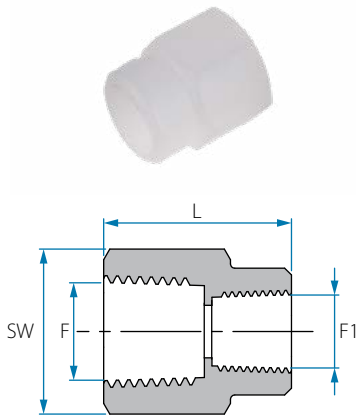
Working pressure
Up to 14 BAR
(200 psi) at 20 °C



Temperature
-20 °C -120 °C
(subject to application)



Fittings' dimensions
refer to tube ID or OD, with respect
to the common application



BSPT Pipe Reducing Coupling

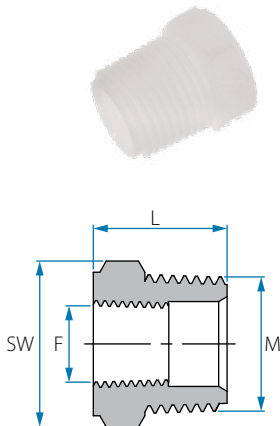
| Cat. No. | F (BSPT) | F1 (BSPT) | L mm | SW | Color |
|-------------|----------|-----------|------|----|--------------------------------|
| 12051904021 | 1/4" | 1/8" | 22.0 | 17 | |
| 12051906021 | 3/8" | 1/8" | 24.2 | 21 | |
| 12051906041 | 3/8" | 1/4" | 24.2 | 21 | |
| 12051908041 | 1/2" | 1/4" | 27.0 | 26 | <input type="checkbox"/> White |
| 12051908061 | 1/2" | 3/8" | 27.0 | 26 | |
| 12051912041 | 3/4" | 1/4" | 29.7 | 35 | |
| 12051912081 | 3/4" | 1/2" | 34.6 | 35 | |

Note: Packing 25 unit

NPT Pipe Reducing Coupling

| Cat. No. | F (NPT) | F1 (NPT) | L mm | SW | Color |
|-------------|---------|----------|------|----|--------------------------------|
| 12061904021 | 1/4" | 1/8" | 22.0 | 17 | |
| 12061906021 | 3/8" | 1/8" | 24.2 | 22 | |
| 12061906041 | 3/8" | 1/4" | 24.8 | 22 | <input type="checkbox"/> White |
| 12061908041 | 1/2" | 1/4" | 27.0 | 26 | |
| 12061908061 | 1/2" | 3/8" | 26.8 | 26 | |

Note: Packing 25 unit



BSPT Pipe Bushing

| Cat. No. | M (BSPT) | F (BSPT) | L mm | SW | Color |
|-------------|----------|----------|------|----|--------------------------------|
| 12051004021 | 1/4" | 1/8" | 17.2 | 14 | |
| 12051006021 | 3/8" | 1/8" | 17.8 | 17 | |
| 12051006041 | 3/8" | 1/4" | 17.8 | 17 | |
| 12051008021 | 1/2" | 1/8" | 20.4 | 22 | |
| 12051008041 | 1/2" | 1/4" | 20.4 | 22 | <input type="checkbox"/> White |
| 12051008061 | 1/2" | 3/8" | 20.7 | 22 | |
| 12051012041 | 3/4" | 1/4" | 22 | 27 | |
| 12051012061 | 3/4" | 3/8" | 22.2 | 27 | |
| 12051012081 | 3/4" | 1/2" | 22.2 | 27 | |

Note: Packing 25 unit

NPT Pipe Bushing

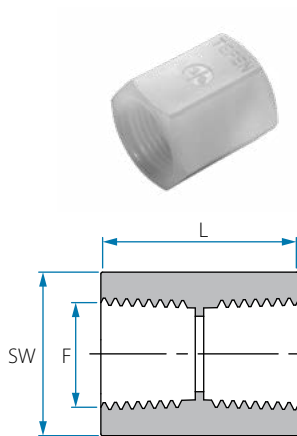
| Cat. No. | M (NPT) | F (NPT) | L mm | SW | Color |
|-------------|---------|---------|------|----|--------------------------------|
| 12061004021 | 1/4" | 1/8" | 21.0 | 14 | |
| 12061006021 | 3/8" | 1/8" | 20.8 | 18 | |
| 12061006041 | 3/8" | 1/4" | 20.8 | 18 | |
| 12061008021 | 1/2" | 1/8" | 26.8 | 24 | |
| 12061008041 | 1/2" | 1/4" | 27.2 | 24 | <input type="checkbox"/> White |
| 12061008061 | 1/2" | 3/8" | 27.1 | 24 | |
| 12061012041 | 3/4" | 1/4" | 27.0 | 29 | |
| 12061012061 | 3/4" | 3/8" | 27.2 | 29 | |
| 12061012081 | 3/4" | 1/2" | 27.1 | 29 | |

Note: Packing 25 unit

BSPT Female Pipe Coupling

| Cat. No. | F (BSPT) | L mm | SW | Color |
|-------------|----------|------|----|--------------------------------|
| 12050302021 | 1/8" | 19.8 | 14 | |
| 12050304041 | 1/4" | 23.3 | 17 | |
| 12050306061 | 3/8" | 24.5 | 21 | <input type="checkbox"/> White |
| 12050308081 | 1/2" | 29.3 | 26 | |
| 12050312121 | 3/4" | 37.7 | 34 | |

Note: Packing 25 unit



NPT Female Pipe Coupling

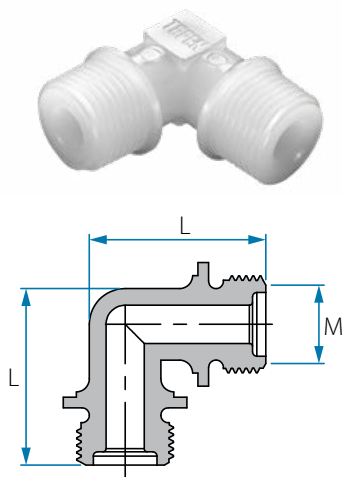
| Cat. No. | F (NPT) | L mm | SW | Color |
|-------------|---------|------|----|--------------------------------|
| 12060302021 | 1/8" | 19.7 | 14 | |
| 12060304041 | 1/4" | 23.3 | 17 | |
| 12060306061 | 3/8" | 24.6 | 21 | <input type="checkbox"/> White |
| 12060308081 | 1/2" | 29.2 | 26 | |

Note: Packing 25 unit

BSPT Threaded Elbow

| Cat. No. | M (BSPT) | L mm | Color |
|-------------|----------|------|--------------------------------|
| 12056502001 | 1/8" | 24.4 | |
| 12056504001 | 1/4" | 26.4 | <input type="checkbox"/> White |
| 12056506001 | 3/8" | 31.8 | |
| 12056508001 | 1/2" | 40.2 | |

Note: Packing 25 unit



NPT Threaded Elbow

| Cat. No. | M (NPT) | L mm | Color |
|-------------|---------|------|--------------------------------|
| 12066502001 | 1/8" | 23.8 | |
| 12066504001 | 1/4" | 28.4 | <input type="checkbox"/> White |

Note: Packing 25 unit

Fittings Products

PVDF Fittings

PVDF



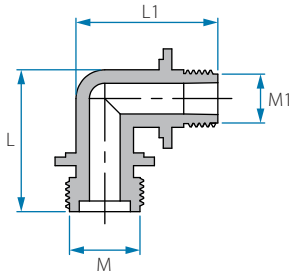
Working pressure
Up to 14 BAR
(200 psi) at 20 °C



Temperature
-20 °C -120 °C
(subject to application)



Fittings' dimensions
refer to tube ID or OD, with respect
to the common application



BSPT Reducing Threaded Elbow

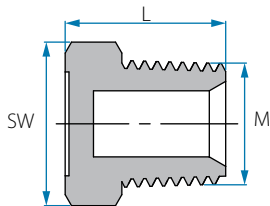
| Cat. No. | M (BSPT) | M1 (BSPT) | L mm | L1 mm | Color |
|-------------|----------|-----------|------|-------|--------------------------------|
| 12056904021 | 1/4" | 1/8" | 26.4 | 24.4 | |
| 12056906041 | 3/8" | 1/4" | 31.8 | 31.5 | <input type="checkbox"/> White |
| 12056908061 | 1/2" | 3/8" | 40.0 | 38.1 | |

Note: Packing 25 unit

NPT Reducing Threaded Elbow

| Cat. No. | M (NPT) | M1 (NPT) | L mm | L1 mm | Color |
|-------------|---------|----------|------|-------|--------------------------------|
| 12066904021 | 1/4" | 1/8" | 28.4 | 24.0 | <input type="checkbox"/> White |

Note: Packing 25 unit



BSPT Hex Threaded Plug

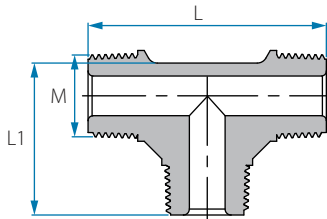
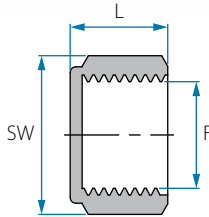
| Cat. No. | M (BSPT) | L mm | SW | Color |
|-------------|----------|------|----|--------------------------------|
| 12052102001 | 1/8" | 13.5 | 12 | |
| 12052104001 | 1/4" | 16.3 | 15 | |
| 12052106001 | 3/8" | 16.0 | 18 | <input type="checkbox"/> White |
| 12052108001 | 1/2" | 19.6 | 22 | |
| 12052112001 | 3/4" | 22.0 | 27 | |
| 12052116001 | 1" | 27.0 | 36 | |

Note: Packing 25 unit

NPT Hex Threaded Plug

| Cat. No. | M (NPT) | L mm | SW | Color |
|-------------|---------|------|----|--------------------------------|
| 12062102001 | 1/8" | 14.7 | 11 | |
| 12062104001 | 1/4" | 19.4 | 14 | |
| 12062106001 | 3/8" | 20.4 | 17 | <input type="checkbox"/> White |
| 12062108001 | 1/2" | 25.6 | 22 | |

Note: Packing 25 unit



BSPT Pipe Cap

| Cat. No. | F (BSPT) | L mm | SW | Color |
|-------------|----------|------|----|--------------------------------|
| 12050802001 | 1/8" | 10.4 | 13 | |
| 12050804001 | 1/4" | 14.2 | 17 | |
| 12050806001 | 3/8" | 14.2 | 20 | <input type="checkbox"/> White |
| 12050808001 | 1/2" | 17.1 | 24 | |
| 12050812001 | 3/4" | 17.1 | 30 | |

Note: Packing 25 unit

BSPT Threaded T Connector

| Cat. No. | M (BSPT) | L mm | L1 mm | Color |
|-------------|----------|------|-------|--------------------------------|
| 12056402001 | 1/8" | 39.8 | 24.1 | |
| 12056404001 | 1/4" | 44.0 | 26.2 | |
| 12056406001 | 3/8" | 50.5 | 32.0 | <input type="checkbox"/> White |
| 12056408001 | 1/2" | 64.0 | 40.3 | |

Note: Packing 25 unit

NPT Threaded T Connector

| Cat. No. | M (NPT) | L mm | L1 mm | Color |
|-------------|---------|------|-------|--------------------------------|
| 12066402001 | 1/8" | 39.3 | 24.0 | |
| 12066404001 | 1/4" | 48.4 | 28.5 | <input type="checkbox"/> White |

Note: Packing 25 unit

Fittings Products

PVDF



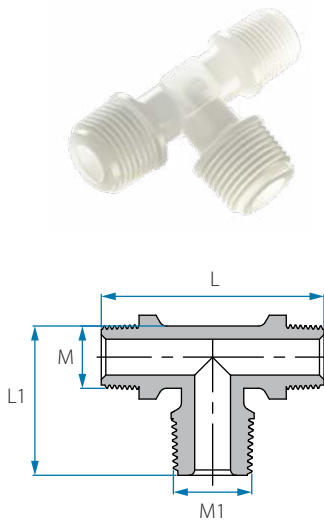
Working pressure
Up to 14 BAR
(200 psi) at 20 °C



Temperature
-20 °C -120 °C
(subject to application)



Fittings' dimensions
refer to tube ID or OD, with respect
to the common application



BSPT Reducing Threaded T

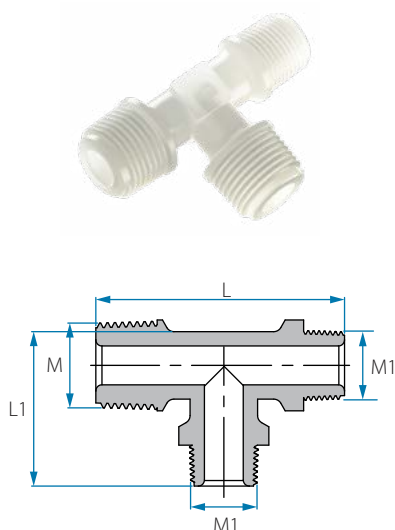
| Cat. No. | M (BSPT) | M1 (BSPT) | L mm | L1 mm | Color |
|-------------|----------|-----------|------|-------|---------|
| 12057102041 | 1/8" | 1/4" | 39.7 | 26.4 | ☐ White |
| 12057104021 | 1/4" | 1/8" | 43.3 | 24.2 | |
| 12057104061 | 1/4" | 3/8" | 38.2 | 43.3 | |
| 12057106041 | 3/8" | 1/4" | 60.2 | 26.4 | |
| 12057108061 | 1/2" | 3/8" | 64.2 | 38.2 | |
| 12057106081 | 3/8" | 1/2" | 60.2 | 40.4 | |

Note: Packing 25 unit

NPT Reducing Threaded T

| Cat. No. | M (NPT) | M1 (NPT) | L mm | L1 mm | Color |
|-------------|---------|----------|------|-------|---------|
| 12067104021 | 1/4" | 1/8" | 48.4 | 24.0 | ☐ White |

Note: Packing 25 unit



BSPT Reducing Threaded Run T

| Cat. No. | M (BSPT) | M1 (BSPT) | L mm | L1 mm | Color |
|-------------|----------|-----------|------|-------|---------|
| 12057204021 | 1/4" | 1/8" | 41.8 | 26.3 | ☐ White |
| 12057206041 | 3/8" | 1/4" | 48.3 | 30.8 | |
| 12057208061 | 1/2" | 3/8" | 62.0 | 40.0 | |
| 12057202041 | 1/8" | 1/4" | 42.7 | 25.5 | |
| 12057204061 | 1/4" | 3/8" | 48.5 | 31.0 | |
| 12057206081 | 3/8" | 1/2" | 62.0 | 38.2 | |

Note: Packing 25 unit

NPT Reducing Threaded Run T

| Cat. No. | M (NPT) | M1 (NPT) | L mm | L1 mm | Color |
|-------------|---------|----------|------|-------|---------|
| 12067204021 | 1/4" | 1/8" | 41.8 | 26.3 | ☐ White |

Note: Packing 25 unit

TIGHT PUSH

Tefen tight push fittings are mechanical compression fittings that can operate with plastic tubes in the range between $\frac{3}{16}$ "- $\frac{1}{2}$ ", 4-120mm.

The fittings sealing mechanism is based on an external NBR oring that seals the tube around its Outside Diameter.

This type of mechanism, ensures a full bore passage, for low pressure, as well as smooth and uninterrupted internal flow of liquids and air.



P. 38



P. 36



P. 37



P. 37



P. 38



P. 39



P. 38



P. 39



P. 40



P. 40



P. 41

Fittings Products

Tight Push

Acetal



Working pressure
Up to 14 BAR
(200 psi) at 20 °C



Temperature
-20 °C - 90 °C
(subject to application)



Union Connector

| Cat. No. | Tube OD mm | SW | Color |
|-------------|------------|----|---------|
| 22006244002 | 4 | 14 | |
| 22006246002 | 6 | 15 | |
| 22006248002 | 8 | 16 | ■ Black |
| 22006250002 | 10 | 19 | |
| 22006252002 | 12 | 22 | |

| Cat. No. | Tube OD inch | SW | Color |
|-------------|--------------|----|---------|
| 22006203002 | 3/16" | 14 | |
| 22006204002 | 1/4" | 15 | |
| 22006205002 | 5/16" | 16 | ■ Black |
| 22006206002 | 3/8" | 19 | |
| 22006208002 | 1/2" | 22 | |

Note: Packing 25 unit
* Minimum order 500 pcs



Reducing Connector

| Cat. No. | Tube OD mm | Tube OD2 mm | SW | Color |
|-------------|------------|-------------|----|---------|
| 22005646442 | 6 | 4 | 15 | |
| 22005648442 | 8 | 4 | 17 | |
| 22005648462 | 8 | 6 | 17 | |
| 22005650462 | 10 | 6 | 19 | ■ Black |
| 22005650482 | 10 | 8 | 19 | |
| 22005652482 | 12 | 8 | 22 | |
| 22005652502 | 12 | 10 | 22 | |

| Cat. No. | Tube OD inch | Tube OD2 inch | SW | Color |
|-------------|--------------|---------------|----|---------|
| 22005604032 | 1/4" | 3/16" | 15 | |
| 22005605032 | 5/16" | 3/16" | 17 | |
| 22005605042 | 5/16" | 1/4" | 17 | |
| 22005606042 | 3/8" | 1/4" | 19 | ■ Black |
| 22005606052 | 3/8" | 5/16" | 19 | |
| 22005608052 | 1/2" | 5/16" | 22 | |
| 22005608062 | 1/2" | 3/8" | 22 | |

Note: 25 Units per Package
* Minimum order 500 pcs



Union Elbow

| Cat. No. | Tube OD mm | Color |
|-------------|------------|---------|
| 22006544002 | 4 | |
| 22006546002 | 6 | |
| 22006548002 | 8 | ■ Black |
| 22006550002 | 10 | |
| 22006552002 | 12 | |

| Cat. No. | Tube OD inch | Color |
|-------------|--------------|---------|
| 22006503002 | 3/16" | |
| 22006504002 | 1/4" | |
| 22006505002 | 5/16" | ■ Black |
| 22006506002 | 3/8" | |
| 22006508002 | 1/2" | |

Note: Packing 25 unit
* Minimum order 500 pcs



Male Elbow

| Cat. No. | Tube OD mm | M (BSPT) | Color |
|-------------|------------|----------|---------|
| 22006944022 | 4 | 1/8" | |
| 22006944042 | 4 | 1/4" | |
| 22006946022 | 6 | 1/8" | |
| 22006946042 | 6 | 1/4" | |
| 22006948022 | 8 | 1/8" | |
| 22006948042 | 8 | 1/4" | ■ Black |
| 22006950042 | 10 | 1/4" | |
| 22006950062 | 10 | 3/8" | |
| 22006952062 | 12 | 3/8" | |
| 22006952082 | 12 | 1/2" | |

| Cat. No. | Tube OD inch | M (BSPT) | Color |
|-------------|--------------|----------|---------|
| 22006903022 | 3/16" | 1/8" | |
| 22006903042 | 3/16" | 1/4" | |
| 22006904022 | 1/4" | 1/8" | |
| 22006904042 | 1/4" | 1/4" | |
| 22006905022 | 5/16" | 1/8" | |
| 22006905042 | 5/16" | 1/4" | ■ Black |
| 22006906042 | 3/8" | 1/4" | |
| 22006906062 | 3/8" | 3/8" | |
| 22006908062 | 1/2" | 3/8" | |
| 22006908082 | 1/2" | 1/2" | |

Note: Packing 25 unit
* Minimum order 500 pcs

Fittings Products

Tight Push

Acetal



Working pressure
Up to 14 BAR
(200 psi) at 20 °C



Temperature
-20 °C - 90 °C
(subject to application)



BSPT Male Connector

| Cat. No. | Tube OD mm | M (BSPT) | SW | Color |
|-------------|------------|----------|----|---------|
| 22006844022 | 4 | 1/8" | 14 | |
| 22006844042 | 4 | 1/4" | 14 | |
| 22006846022 | 6 | 1/8" | 15 | |
| 22006846042 | 6 | 1/4" | 15 | |
| 22006848022 | 8 | 1/8" | 16 | ■ Black |
| 22006848042 | 8 | 1/4" | 16 | |
| 22006850042 | 10 | 1/4" | 19 | |
| 22006850062 | 10 | 3/8" | 19 | |
| 22006852062 | 12 | 3/8" | 22 | |
| 22006852082 | 12 | 1/2" | 22 | |

| Cat. No. | Tube OD inch | M (BSPT) | SW | Color |
|-------------|--------------|----------|----|---------|
| 22006803022 | 3/16" | 1/8" | 14 | |
| 22006803042 | 3/16" | 1/4" | 14 | |
| 22006804022 | 1/4" | 1/8" | 15 | |
| 22006804042 | 1/4" | 1/4" | 15 | |
| 22006805022 | 5/16" | 1/8" | 16 | ■ Black |
| 22006805042 | 5/16" | 1/4" | 16 | |
| 22006806042 | 3/8" | 1/4" | 19 | |
| 22006806062 | 3/8" | 3/8" | 19 | |
| 22006808062 | 1/2" | 3/8" | 22 | |
| 22006808082 | 1/2" | 1/2" | 22 | |

Note: Packing 25 unit
* Minimum order 500 pcs

BSPT Female Connector



| Cat. No. | Tube OD mm | F (BSPT) | SW | Color |
|-------------|------------|----------|------|---------|
| 22006644022 | 4 | 1/8" | 15 | ■ Black |
| 22006644042 | 4 | 1/4" | 17.5 | |
| 22006646022 | 6 | 1/8" | 15 | |
| 22006646042 | 6 | 1/4" | 17 | |
| 22006648022 | 8 | 1/8" | 17 | |
| 22006648042 | 8 | 1/4" | 17 | |
| 22006648062 | 8 | 3/8" | 17 | |
| 22006648082 | 8 | 1/2" | 17 | |
| 22006650022 | 10 | 1/8" | 19 | |
| 22006650042 | 10 | 1/4" | 19 | |
| 22006650062 | 10 | 3/8" | 19.5 | |
| 22006650082 | 10 | 1/2" | 19.5 | |
| 22006652062 | 12 | 3/8" | 22.5 | |
| 22006652082 | 12 | 1/2" | 24 | |

| Cat. No. | Tube OD inch | F (BSPT) | SW | Color |
|-------------|--------------|----------|------|---------|
| 22006603022 | 3/16" | 1/8" | 15 | ■ Black |
| 22006603042 | 3/16" | 1/4" | 17.5 | |
| 22006604022 | 1/4" | 1/8" | 15.5 | |
| 22006604042 | 1/4" | 1/4" | 17.5 | |
| 22006605022 | 5/16" | 1/8" | 17 | |
| 22006605042 | 5/16" | 1/4" | 17 | |
| 22006605062 | 5/16" | 3/8" | 17 | |
| 22006605082 | 5/16" | 1/2" | 17 | |
| 22006606022 | 3/8" | 1/8" | 19 | |
| 22006606042 | 3/8" | 1/4" | 19 | |
| 22006606062 | 3/8" | 3/8" | 19 | |
| 22006606082 | 3/8" | 1/2" | 19 | |
| 22006608062 | 1/2" | 3/8" | 22 | |
| 22006608082 | 1/2" | 1/2" | 26 | |

Note: Packing 25 unit
 * Minimum order 500 pcs

Fittings Products

Tight Push

Acetal



Working pressure
Up to 14 BAR
(200 psi) at 20 °C



Temperature
-20 °C - 90 °C
(subject to application)



Union T Connector

| Cat. No. | Tube OD mm | Color |
|-------------|------------|---------|
| 22006444442 | 4 | |
| 22006446462 | 6 | |
| 22006448482 | 8 | ■ Black |
| 22006450502 | 10 | |
| 22006452522 | 12 | |

| Cat. No. | Tube OD inch | Color |
|-------------|--------------|---------|
| 22006403032 | 3/16" | |
| 22006404042 | 1/4" | |
| 22006405052 | 5/16" | ■ Black |
| 22006406062 | 3/8" | |
| 22006408082 | 1/2" | |

Note: Packing 25 unit
* Minimum order 500 pcs



Male Branch T

| Cat. No. | Tube OD mm | M (BSPT) | Color |
|-------------|------------|----------|---------|
| 22007144022 | 4 | 1/8" | |
| 22007144042 | 4 | 1/4" | |
| 22007146022 | 6 | 1/8" | |
| 22007146042 | 6 | 1/4" | |
| 22007148022 | 8 | 1/8" | ■ Black |
| 22007148042 | 8 | 1/4" | |
| 22007150042 | 10 | 1/4" | |
| 22007150062 | 10 | 3/8" | |
| 22007152062 | 12 | 3/8" | |
| 22007152082 | 12 | 1/2" | |

| Cat. No. | Tube O inch D | M (BSPT) | Color |
|-------------|---------------|----------|---------|
| 22007103022 | 3/16" | 1/8" | |
| 22007103042 | 3/16" | 1/4" | |
| 22007104022 | 1/4" | 1/8" | |
| 22007104042 | 1/4" | 1/4" | |
| 22007105022 | 5/16" | 1/8" | ■ Black |
| 22007105042 | 5/16" | 1/4" | |
| 22007106042 | 3/8" | 1/4" | |
| 22007106062 | 3/8" | 3/8" | |
| 22007108062 | 1/2" | 3/8" | |
| 22007108082 | 1/2" | 1/2" | |

Note: Packing 25 unit
* Minimum order 500 pcs



Male Run T

| Cat. No. | Tube OD mm | M (BSPT) | Color |
|-------------|------------|----------|---------|
| 22007244022 | 4 | 1/8" | ■ Black |
| 22007244042 | 4 | 1/4" | |
| 22007246022 | 6 | 1/8" | |
| 22007246042 | 6 | 1/4" | |
| 22007248022 | 8 | 1/8" | |
| 22007248042 | 8 | 1/4" | |
| 22007250042 | 10 | 1/4" | |
| 22007250062 | 10 | 3/8" | |
| 22007252062 | 12 | 3/8" | |
| 22007252082 | 12 | 1/2" | |

| Cat. No. | Tube OD inch | M (BSPT) | Color |
|-------------|--------------|----------|---------|
| 22007203022 | 3/16" | 1/8" | ■ Black |
| 22007203042 | 3/16" | 1/4" | |
| 22007204022 | 1/4" | 1/8" | |
| 22007204042 | 1/4" | 1/4" | |
| 22007205022 | 5/16" | 1/8" | |
| 22007205042 | 5/16" | 1/4" | |
| 22007206042 | 3/8" | 1/4" | |
| 22007206062 | 3/8" | 3/8" | |
| 22007208062 | 1/2" | 3/8" | |
| 22007208082 | 1/2" | 1/2" | |

Note: Packing 25 unit
 * Minimum order 500 pcs

BARB BLOCK

Tefen barb Block fittings are mechanical PUSH-ON compression fittings that can operate with numerous types of plastic tubes in the range between ¼"-½", 6-12mm. The fittings sealing mechanism is based on a barb and tightening nut.

How to use: Insert the nut onto the tube, insert the tube onto the barb and then secure the nut tightly on the barb support thread.

Main use: connection of plastic tubes of hydraulic and pneumatic systems.

Main Advantages: high chemical resistant, durable resistant for tube pullout, no rubber seals – long service life without leaks.



**Food Contact
(EU) 1935/2004**
For blue
Polypropylene only



For blue & black
Polypropylene only



P. 43



P. 43



P. 44



P. 45



P. 46



P. 47



P. 47



P. 47



P. 48



P. 49



P. 49



P. 50



P. 50



P. 51



P. 51



P. 52

Reinforced Polypropylene



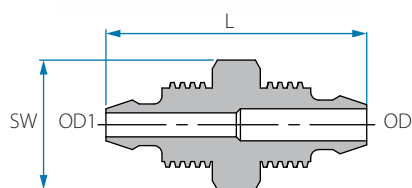
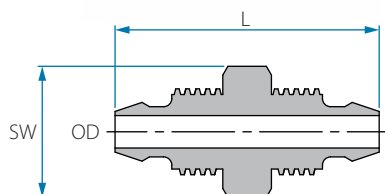
Working pressure
Up to 14 BAR
(200 psi) at 20 °C



Temperature
4 °C - 90 °C
(subject to application)



Fittings' dimensions
refer to tube ID or OD,
with respect to the
common application



Union Connector

| Cat. No. | Tube OD mm | L mm | SW | Color |
|-------------|------------|------|----|-------|
| 22046246008 | 6 | 32.7 | 14 | Blue |
| 22046248008 | 8 | 32.7 | 14 | |
| 22046252008 | 12 | 40.6 | 19 | |

| Cat. No. | Tube OD inch | L mm | SW | Color |
|-------------|--------------|------|----|-----------|
| 22046204008 | 1/4" | 32.7 | 14 | Navy Blue |
| 22046205008 | 5/16" | 32.7 | 14 | |
| 22046208008 | 1/2" | 40.6 | 19 | |

| Cat. No. | Tube OD inch | L mm | SW | Color |
|-------------|--------------|------|----|-------|
| 22246204003 | 1/4" | 32.5 | 14 | Grey |
| 22246205003 | 5/16" | 32.6 | 14 | |
| 22246208003 | 1/2" | 40.4 | 19 | |

Note: Packing 25 unit

Reducing Connector

| Cat. No. | Tube OD mm | Tube OD1 mm | L mm | SW | Color |
|-------------|------------|-------------|------|----|-------|
| 22045648468 | 8 | 6 | 32.7 | 14 | Blue |

| Cat. No. | Tube OD inch | Tube OD1 inch | L mm | SW | Color |
|-------------|--------------|---------------|------|----|-----------|
| 22045605048 | 5/16" | 1/4" | 32.7 | 14 | Navy Blue |
| 22245605043 | 5/16" | 1/4" | 32.7 | 14 | Grey |

Note: Packing 25 unit

Fittings Products

Barb Block

Reinforced Polypropylene



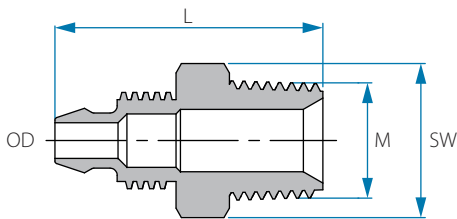
Working pressure
Up to 14 BAR
(200 psi) at 20 °C



Temperature
4 °C -90 °C
(subject to application)



Fittings' dimensions refer to tube ID or OD, with respect to the common application



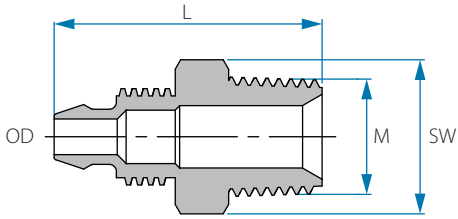
BSPT Male Connector

| Cat. No. | Tube OD mm | M (BSPT) | L mm | SW | Color |
|-------------|------------|----------|------|----|-------|
| 22046846028 | 6 | 1/8" | 27.5 | 13 | Blue |
| 22046846048 | 6 | 1/4" | 29.7 | 14 | |
| 22046846068 | 6 | 3/8" | 32.5 | 17 | |
| 22046846088 | 6 | 1/2" | 35.5 | 22 | |
| 22046846128 | 6 | 3/4" | 36.6 | 27 | |
| 22046848028 | 8 | 1/8" | 27.6 | 13 | |
| 22046848048 | 8 | 1/4" | 29.5 | 14 | |
| 22046848068 | 8 | 3/8" | 31.4 | 17 | |
| 22046848088 | 8 | 1/2" | 36.1 | 22 | |
| 22046848128 | 8 | 3/4" | 36.6 | 27 | |
| 22046850048 | 10 | 1/4" | 35.8 | 17 | |
| 22046850068 | 10 | 3/8" | 35.8 | 17 | |
| 22046850088 | 10 | 1/2" | 38.9 | 22 | |
| 22046850128 | 10 | 3/4" | 39.7 | 27 | |
| 22046852048 | 12 | 1/4" | 37.3 | 14 | |
| 22046852068 | 12 | 3/8" | 37.3 | 17 | |
| 22046852088 | 12 | 1/2" | 40.1 | 22 | |
| 22046852128 | 12 | 3/4" | 40.1 | 27 | |
| 22046848022 | 8 | 1/8" | 27.6 | 13 | Black |
| 22046852082 | 12 | 1/2" | 40.1 | 22 | |
| 22046846042 | 6 | 1/4" | 29.7 | 14 | |
| 22046848042 | 8 | 1/4" | 29.5 | 14 | |
| 22046848062 | 8 | 3/8" | 31.4 | 17 | |
| 22046852042 | 12 | 1/4" | 37.3 | 14 | |
| 22046852062 | 12 | 3/8" | 37.3 | 17 | |

| Cat. No. | Tube OD inch | M (BSPT) | L mm | SW | Color |
|-------------|--------------|----------|------|----|-----------|
| 22046804028 | 1/4" | 1/8" | 27.5 | 13 | Navy Blue |
| 22046804048 | 1/4" | 1/4" | 29.7 | 15 | |
| 22046804068 | 1/4" | 3/8" | 32.5 | 17 | |
| 22046804088 | 1/4" | 1/2" | 35.5 | 22 | |
| 22046804128 | 1/4" | 3/4" | 36.6 | 27 | |
| 22046805028 | 5/16" | 1/8" | 27.6 | 13 | |
| 22046805048 | 5/16" | 1/4" | 29.5 | 14 | |
| 22046805068 | 5/16" | 3/8" | 31.4 | 17 | |
| 22046806048 | 3/8" | 1/4" | 35.8 | 17 | |
| 22046806068 | 3/8" | 3/8" | 35.8 | 17 | |
| 22046806088 | 3/8" | 1/2" | 38.9 | 22 | |
| 22046806128 | 3/8" | 3/4" | 39.7 | 27 | |
| 22046808048 | 1/2" | 1/4" | 37.3 | 17 | White |
| 22046808068 | 1/2" | 3/8" | 37.3 | 17 | |
| 22046808088 | 1/2" | 1/2" | 40.1 | 22 | |
| 22046808128 | 1/2" | 3/4" | 40.1 | 27 | |
| 22046804041 | 1/4" | 1/4" | 29.7 | 15 | |
| 22046804081 | 1/4" | 1/2" | 35.5 | 22 | |
| 22046804121 | 1/4" | 3/4" | 36.6 | 27 | |

Note: Packing 25 unit

NPT Male Connector



| Cat. No. | Tube OD inch | M (NPT) | L mm | SW | Color |
|-------------|--------------|---------|------|----|-------|
| 22246804023 | 1/4" | 1/8" | 29.4 | 11 | Grey |
| 22246804043 | 1/4" | 1/4" | 34.0 | 14 | |
| 22246804063 | 1/4" | 3/8" | 35.1 | 17 | |
| 22246804083 | 1/4" | 1/2" | 40.2 | 22 | |
| 22246804123 | 1/4" | 3/4" | 41.0 | 27 | |
| 22246805023 | 5/16" | 1/8" | 29.4 | 11 | |
| 22246805043 | 5/16" | 1/4" | 34.0 | 14 | |
| 22246805063 | 5/16" | 3/8" | 35.1 | 17 | |
| 22246805083 | 5/16" | 1/2" | 40.2 | 22 | |
| 22246805123 | 5/16" | 3/4" | 41.1 | 27 | |
| 22246806043 | 3/8" | 1/4" | 37.6 | 14 | |
| 22246806063 | 3/8" | 3/8" | 38.6 | 17 | |
| 22246806083 | 3/8" | 1/2" | 43.7 | 22 | |
| 22246806123 | 3/8" | 3/4" | 44.4 | 27 | |
| 22246808043 | 1/2" | 1/4" | 38.8 | 14 | |
| 22246808063 | 1/2" | 3/8" | 40.0 | 17 | |
| 22246808083 | 1/2" | 1/2" | 45.0 | 22 | |
| 22246808123 | 1/2" | 3/4" | 45.7 | 27 | |

Note: Packing 25 unit

Fittings Products

Barb Block

Reinforced Polypropylene



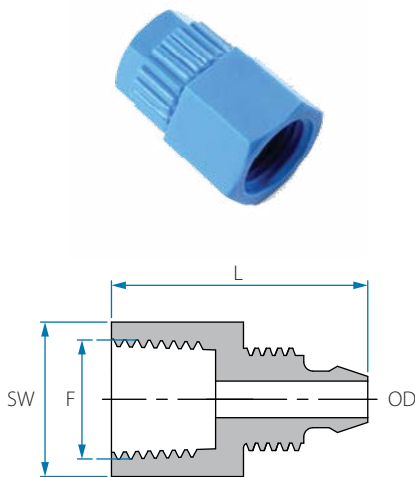
Working pressure
Up to 14 BAR
(200 psi) at 20 °C



Temperature
4 °C -90 °C
(subject to application)



Fittings' dimensions refer to tube ID or OD, with respect to the common application



BSPT Female Connector

| Cat. No. | Tube OD mm | F (BSPT) | L mm | SW | Color |
|-------------|------------|----------|------|----|-------|
| 22046646028 | 6 | 1/8" | 26.3 | 14 | |
| 22046646048 | 6 | 1/4" | 27.8 | 17 | |
| 22046648028 | 8 | 1/8" | 26.3 | 14 | |
| 22046648048 | 8 | 1/4" | 28.0 | 17 | |
| 22046648068 | 8 | 3/8" | 30.6 | 22 | |
| 22046648088 | 8 | 1/2" | 32.5 | 26 | Blue |
| 22046648548 | 8 | M14X1.5 | 28.1 | 17 | |
| 22046650048 | 10 | 1/4" | 31.7 | 17 | |
| 22046650068 | 10 | 3/8" | 33.0 | 22 | |
| 22046650088 | 10 | 1/2" | 35.4 | 26 | |

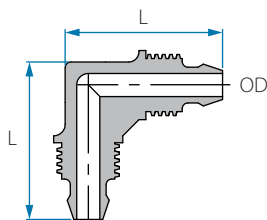
| Cat. No. | Tube OD inch | F (BSPT) | L mm | SW | Color |
|-------------|--------------|----------|------|----|-----------|
| 22046604028 | 1/4" | 1/8" | 26.3 | 14 | |
| 22046604048 | 1/4" | 1/4" | 27.8 | 17 | |
| 22046605028 | 5/16" | 1/8" | 26.3 | 14 | |
| 22046605048 | 5/16" | 1/4" | 28.0 | 17 | |
| 22046605068 | 5/16" | 3/8" | 30.6 | 22 | Navy Blue |
| 22046605088 | 5/16" | 1/2" | 32.5 | 26 | |
| 22046606048 | 3/8" | 1/4" | 31.7 | 17 | |
| 22046606068 | 3/8" | 3/8" | 33.0 | 22 | |
| 22046606088 | 3/8" | 1/2" | 35.4 | 26 | |

Note: Packing 25 unit

NPT Female Connector

| Cat. No. | Tube OD inch | F (NPT) | L mm | SW | Color |
|-------------|--------------|---------|------|----|-------|
| 22246604023 | 1/4" | 1/8" | 26.3 | 14 | |
| 22246605023 | 5/16" | 1/8" | 26.3 | 14 | |
| 22246605043 | 5/16" | 1/4" | 32.1 | 17 | |
| 22246606043 | 3/8" | 1/4" | 34.5 | 17 | Grey |
| 22246606063 | 3/8" | 3/8" | 34.5 | 22 | |
| 22246606083 | 3/8" | 1/2" | 38.0 | 27 | |

Note: Packing 25 unit



Union Elbow

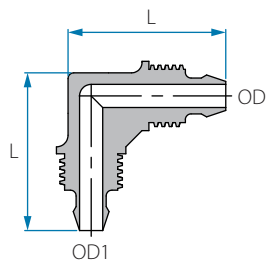
| Cat. No. | Tube OD mm | L mm | Color |
|-------------|------------|------|-------|
| 22046546008 | 6 | 27.4 | |
| 22046548008 | 8 | 27.4 | Blue |
| 22046552008 | 12 | 40.5 | |
| 22046548002 | 8 | 27.4 | Black |

| Cat. No. | Tube OD inch | L mm | Color |
|-------------|--------------|------|-----------|
| 22046504008 | 1/4" | 27.4 | |
| 22046505008 | 5/16" | 27.4 | Navy Blue |
| 22046508008 | 1/2" | 40.5 | |
| 22046508002 | 1/2" | 40.5 | Black |

Note: Packing 25 unit

| Cat. No. | Tube OD inch | L mm | Color |
|-------------|--------------|------|-------|
| 22246504003 | 1/4" | 27.5 | |
| 22246505003 | 5/16" | 27.5 | Grey |
| 22246508003 | 1/2" | 40.5 | |

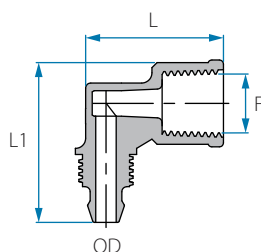
Note: Packing 25 unit



Reducing Elbow

| Cat. No. | Tube OD mm | Tube OD1 mm | L mm | Color |
|-------------|------------|-------------|------|-------|
| 22045748468 | 8 | 6 | 27.3 | Blue |

Note: Packing 25 unit



BSPT Female Elbow

| Cat. No. | Tube OD mm | F (BSPT) | L mm | L1 mm | Color |
|-------------|------------|----------|------|-------|-------|
| 22046046028 | 6 | 1/8" | 25.1 | 27.3 | |
| 22046046048 | 6 | 1/4" | 27.0 | 27.3 | Blue |
| 22046048048 | 8 | 1/4" | 27.0 | 27.3 | |
| 22046046022 | 6 | 1/8" | 25.1 | 27.3 | |
| 22046046042 | 6 | 1/4" | 27.0 | 27.3 | Black |
| 22046048042 | 8 | 1/4" | 27.0 | 27.3 | |

Note: Packing 25 unit

Fittings Products

Barb Block

Reinforced Polypropylene



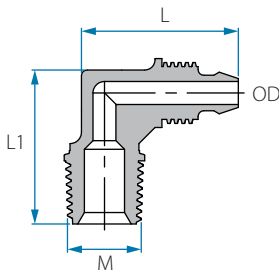
Working pressure
Up to 14 BAR
(200 psi) at 20 °C



Temperature
4 °C -90 °C
(subject to application)



Fittings' dimensions
refer to tube ID or OD,
with respect to the
common application



BSPT Male Elbow

| Cat. No. | Tube OD mm | M (BSPT) | L mm | L1 mm | Color | |
|-------------|------------|----------|------|-------|-------|-------|
| 22046946028 | 6 | 1/8" | 27.6 | 22.4 | Blue | |
| 22046946048 | 6 | 1/4" | 27.6 | 26.8 | | |
| 22046948028 | 8 | 1/8" | 27.6 | 26.8 | | |
| 22046948048 | 8 | 1/4" | 27.6 | 26.8 | | |
| 22046948068 | 8 | 3/8" | 28.1 | 29.4 | | |
| 22046952048 | 12 | 1/4" | 40.3 | 31.7 | | |
| 22046952068 | 12 | 3/8" | 40.3 | 32.0 | | |
| 22046952088 | 12 | 1/2" | 40.3 | 36.0 | | |
| 22046946022 | 6 | 1/8" | 27.6 | 22.4 | | Black |
| 22046948022 | 8 | 1/8" | 27.6 | 26.8 | | |
| 22046946042 | 6 | 1/4" | 27.6 | 26.8 | | |
| 22046948042 | 8 | 1/4" | 27.6 | 26.8 | | |
| 22046948062 | 8 | 3/8" | 28.1 | 29.4 | | |
| 22046952062 | 12 | 3/8" | 40.3 | 32 | | |

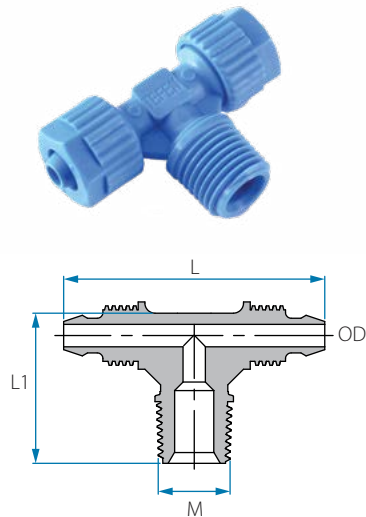
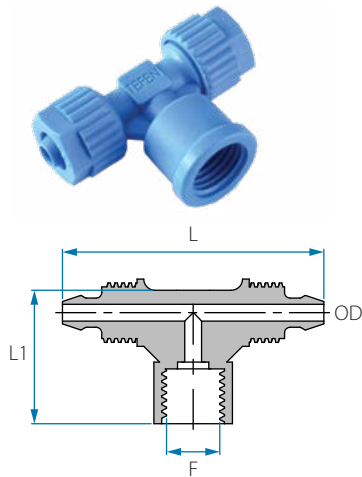
| Cat. No. | Tube OD inch | M (BSPT) | L mm | L1 mm | Color |
|-------------|--------------|----------|------|-------|-----------|
| 22046904028 | 1/4" | 1/8" | 27.6 | 22.4 | Navy Blue |
| 22046904048 | 1/4" | 1/4" | 27.6 | 26.8 | |
| 22046905028 | 5/16" | 1/8" | 27.6 | 26.8 | |
| 22046905048 | 5/16" | 1/4" | 27.6 | 26.8 | |
| 22046905068 | 5/16" | 3/8" | 28.1 | 29.4 | |
| 22046908048 | 1/2" | 1/4" | 40.3 | 31.7 | |
| 22046908068 | 1/2" | 3/8" | 40.3 | 32.0 | Black |
| 22046908088 | 1/2" | 1/2" | 40.3 | 36.0 | |
| 22046908082 | 1/2" | 1/2" | 40.3 | 36.0 | |
| 22046904041 | 1/4" | 1/4" | 26.7 | 26.8 | White |

Note: Packing 25 unit

NPT Male Elbow

| Cat. No. | Tube OD inch | M (NPT) | L mm | L1 mm | Color |
|-------------|--------------|---------|------|-------|-------|
| 22246904023 | 1/4" | 1/8" | 27.5 | 24.0 | Grey |
| 22246904043 | 1/4" | 1/4" | 27.5 | 29.0 | |
| 22246905023 | 5/16" | 1/8" | 27.5 | 24.0 | |
| 22246905043 | 5/16" | 1/4" | 27.5 | 28.9 | |

Note: Packing 25 unit



BSPT Female Branch T

| Cat. No. | Tube OD mm | F (BSPT) | L mm | L1 mm | Color |
|-------------|------------|----------|------|-------|-------|
| 22047346028 | 6 | 1/8" | 46.6 | 25.0 | Blue |
| 22047348048 | 8 | 1/4" | 46.8 | 27.2 | |

| Cat. No. | Tube OD inch | F (BSPT) | L mm | L1 mm | Color |
|-------------|--------------|----------|------|-------|-----------|
| 22047304028 | 1/4" | 1/8" | 46.6 | 25.0 | Navy Blue |
| 22047305048 | 5/16" | 1/4" | 46.8 | 27.2 | |

Note: Packing 25 unit

BSPT Male Branch T

| Cat. No. | Tube OD mm | M (BSPT) | L mm | L1 mm | Color |
|-------------|------------|----------|------|-------|-------|
| 22047146028 | 6 | 1/8" | 46.8 | 22.6 | Blue |
| 22047146048 | 6 | 1/4" | 46.8 | 26.8 | |
| 22047148028 | 8 | 1/8" | 46.8 | 22.6 | |
| 22047148048 | 8 | 1/4" | 46.8 | 26.8 | |
| 22047148068 | 8 | 3/8" | 47.2 | 29.4 | |
| 22047152048 | 12 | 1/4" | 67.0 | 31.6 | |
| 22047152068 | 12 | 3/8" | 67.0 | 32.0 | |
| 22047152088 | 12 | 1/2" | 67.0 | 36.0 | |
| 22047146042 | 6 | 1/4" | 46.8 | 26.8 | Black |
| 22047148022 | 8 | 1/8" | 46.8 | 22.6 | |
| 22047148042 | 8 | 1/4" | 46.8 | 26.8 | |

| Cat. No. | Tube OD inch | M (BSPT) | L mm | L1 mm | Color |
|-------------|--------------|----------|------|-------|-----------|
| 22047104028 | 1/4" | 1/8" | 46.8 | 22.6 | Navy Blue |
| 22047104048 | 1/4" | 1/4" | 46.8 | 26.8 | |
| 22047105028 | 5/16" | 1/8" | 46.8 | 22.6 | |
| 22047105048 | 5/16" | 1/4" | 46.8 | 26.8 | |
| 22047105068 | 5/16" | 3/8" | 47.2 | 29.4 | |
| 22047108048 | 1/2" | 1/4" | 67.0 | 31.6 | |
| 22047108068 | 1/2" | 3/8" | 67.0 | 32.0 | |
| 22047104041 | 1/4" | 1/4" | 46.8 | 26.8 | |

Note: Packing 25 unit

NPT Male Branch T

| Cat. No. | Tube OD inch | M (NPT) | L mm | L1 mm | Color |
|-------------|--------------|---------|------|-------|-------|
| 22247104023 | 1/4" | 1/8" | 47.7 | 24.1 | Grey |
| 22247104043 | 1/4" | 1/4" | 46.6 | 28.9 | |
| 22247105023 | 5/16" | 1/8" | 46.7 | 24.1 | |
| 22247108083 | 1/2" | 1/2" | 66.8 | 36.1 | Black |
| 22247105022 | 5/16" | 1/8" | 46.7 | 24.1 | |

Note: Packing 25 unit

Fittings Products

Barb Block

Reinforced Polypropylene



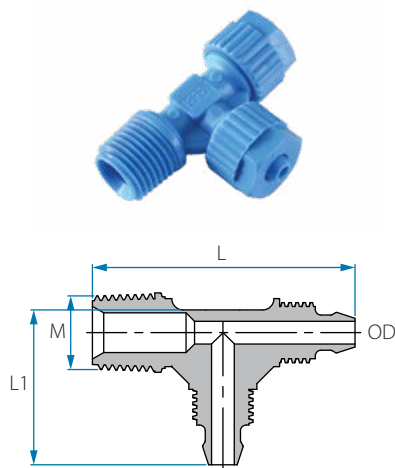
Working pressure
Up to 14 BAR
(200 psi) at 20 °C



Temperature
4 °C - 90 °C
(subject to application)



Fittings' dimensions refer to tube ID or OD, with respect to the common application



BSPT Male Run T

| Cat. No. | Tube OD mm | M (BSPT) | L mm | L1 mm | Color |
|-------------|------------|----------|------|-------|-------|
| 22047246028 | 6 | 1/8" | 41.9 | 27.5 | Blue |
| 22047246048 | 6 | 1/4" | 46.2 | 27.5 | |
| 22047248028 | 8 | 1/8" | 41.9 | 27.5 | |
| 22047248048 | 8 | 1/4" | 46.2 | 27.5 | |
| 22047248068 | 8 | 3/8" | 58.8 | 43.2 | |
| 22047252048 | 12 | 1/4" | 57.7 | 40.3 | |
| 22047252068 | 12 | 3/8" | 59.0 | 40.5 | |
| 22047252088 | 12 | 1/2" | 62.7 | 40.4 | |

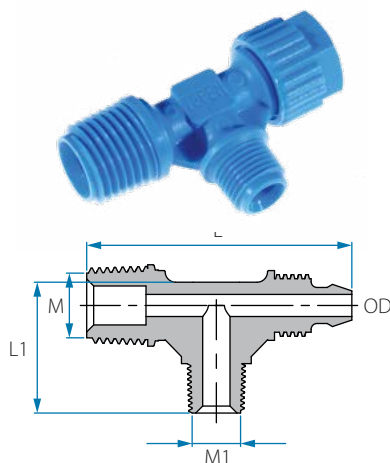
| Cat. No. | Tube OD inch | M (BSPT) | L mm | L1 mm | Color | |
|-------------|--------------|----------|------|-------|-----------|-------|
| 22047204028 | 1/4" | 1/8" | 41.9 | 27.5 | Navy Blue | |
| 22047204048 | 1/4" | 1/4" | 46.2 | 27.5 | | |
| 22047205028 | 5/16" | 1/8" | 41.9 | 27.5 | | |
| 22047205048 | 5/16" | 1/4" | 46.2 | 27.5 | | |
| 22047205068 | 5/16" | 3/8" | 58.8 | 43.2 | | |
| 22047208048 | 1/2" | 1/4" | 57.7 | 40.3 | | |
| 22047208068 | 1/2" | 3/8" | 59.0 | 40.5 | | |
| 22047208088 | 1/2" | 1/2" | 62.7 | 40.4 | | |
| 22047204041 | 1/4" | 1/4" | 46.2 | 27.5 | | White |

Note: Packing 25 unit

NPT Male Run T

| Cat. No. | Tube OD inch | M (NPT) | L mm | L1 mm | Color |
|-------------|--------------|---------|------|-------|-------|
| 22247204023 | 1/4" | 1/8" | 43.4 | 27.4 | Grey |
| 22247204043 | 1/4" | 1/4" | 48.2 | 27.4 | |
| 22247205023 | 5/16" | 1/8" | 43.5 | 27.4 | |
| 22247205043 | 5/16" | 1/4" | 48.3 | 27.4 | |
| 22247205063 | 5/16" | 3/8" | 56.1 | 40.2 | |

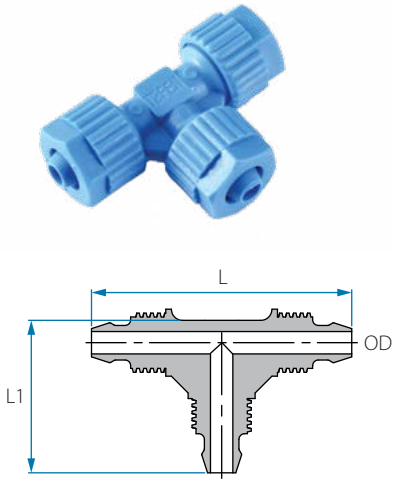
Note: Packing 25 unit



BSPT Male T - 2 threads

| Cat. No. | Tube OD mm | M inch | M1 inch | L mm | L1 mm | Color |
|-------------|------------|--------|---------|------|-------|-------|
| 22047802048 | 8 | 1/4" | 1/8" | 46.2 | 22.6 | Blue |

Note: Packing 25 unit

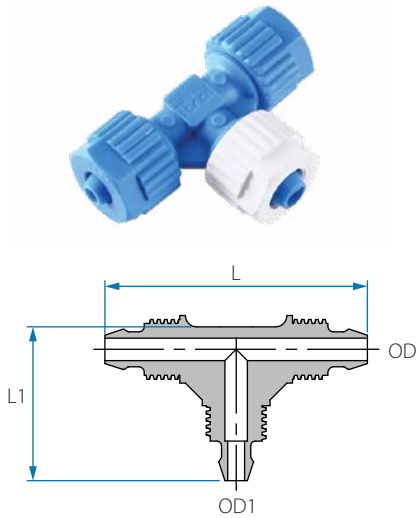


Union T

| Cat. No. | OD mm | L mm | L1 mm | Color |
|-------------|-------|------|-------|-------|
| 22046446468 | 6 | 46.8 | 27.5 | |
| 22046448488 | 8 | 46.8 | 27.5 | Blue |
| 22046452528 | 12 | 67.1 | 40.4 | |

| Cat. No. | OD inch | L mm | L1 mm | Color |
|-------------|---------|------|-------|-----------|
| 22046404041 | ¼" | 46.8 | 27.5 | White |
| 22046404048 | ¼" | 46.8 | 27.5 | |
| 22046405058 | ⅝" | 46.8 | 27.5 | Navy Blue |
| 22046408088 | ½" | 67.1 | 40.4 | |
| 22046404042 | ¼" | 46.8 | 27.5 | Black |
| 22046408082 | ½" | 67.1 | 40.4 | |
| 22246404043 | ¼" | 46.7 | 27.4 | |
| 22246405053 | ⅝" | 46.7 | 27.4 | Grey |
| 22246408083 | ½" | 67.0 | 40.4 | |

Note: Packing 25 unit



Reducing T

| Cat. No. | Tube OD mm | Tube OD1 mm | L mm | L1 mm | Color |
|-------------|------------|-------------|------|-------|-------|
| 22045846488 | 6 | 8 | 46.8 | 27.4 | Blue |
| 22045848468 | 8 | 6 | 46.8 | 27.4 | |

Note: Packing 25 unit

Fittings Products

Barb Block

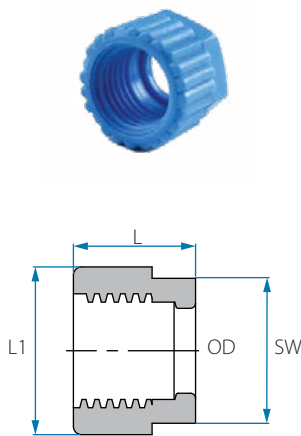
Reinforced
Polypropylene



Working pressure
Up to 14 BAR
(200 psi) at 20 °C



Temperature
4 °C - 90 °C
(subject to application)



Nut for Union Connector

| Cat. No. | Tube OD mm | L mm | SW | Color |
|-------------|------------|------|----|--------|
| 32046146001 | 6 | 11.9 | 16 | White |
| 32046146006 | 6 | 11.9 | 16 | Red |
| 32046146008 | 6 | 11.9 | 16 | Blue |
| 32046146009 | 6 | 11.9 | 16 | Yellow |
| 32046148001 | 8 | 11.9 | 16 | White |
| 32046148006 | 8 | 11.9 | 16 | Red |
| 32046148008 | 8 | 11.9 | 16 | Blue |
| 32046150002 | 10 | 14.2 | 16 | Black |
| 32046150008 | 10 | 14.2 | 19 | Blue |
| 32046152002 | 12 | 17.5 | 22 | Black |

| Cat. No. | Tube OD inch | L mm | SW | Color |
|-------------|--------------|------|----|-----------|
| 32046104001 | 1/4" | 11.9 | 16 | White |
| 32046104002 | 1/4" | 11.9 | 16 | Black |
| 32046104008 | 1/4" | 11.9 | 16 | Navy Blue |
| 32046104009 | 1/4" | 11.9 | 16 | Yellow |
| 32046105008 | 5/16" | 11.9 | 16 | Navy Blue |
| 32046105009 | 5/16" | 11.9 | 16 | Yellow |
| 32046106008 | 3/8" | 14.2 | 19 | Navy Blue |
| 32046106009 | 3/8" | 14.2 | 19 | Yellow |
| 32046108001 | 1/2" | 17.5 | 22 | White |
| 32046108002 | 1/2" | 17.5 | 22 | Black |
| 32046108008 | 1/2" | 17.5 | 22 | Navy Blue |
| 32046108009 | 1/2" | 17.5 | 22 | Yellow |

Note: Use nuts with Tefen's barb fittings only

BARB CONNECTORS

Tefen barb connectors designed to operate with all PE tubes class 2.5-4 PN, at the range.

Can work with other flexible plastic and rubber pipes.

The Fittings and sealing mechanism are based on a barb that holds the tube from the inside diameter.

Fittings size indicate the nominal outside diameter of the tube.

For example: $\frac{5}{8}$ " barb fitting, fits a $\frac{5}{8}$ " irrigation tube class 2.5, with inner diameter of $\frac{1}{2}$ ".



For black Polypropylene only



P. 54



P. 54



P. 55



P. 55



P. 56



P. 56



P. 57



P. 57



P. 58



P. 58



P. 59



P. 59

Fittings Products

Barb Connectors

Polypropylene



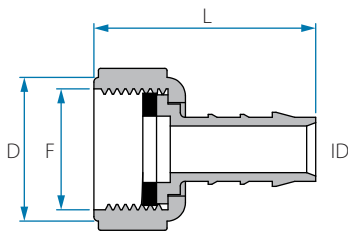
Working pressure
Up to 14 BAR
(200 psi) at 20 °C



Temperature
4 °C -90 °C
(subject to application)



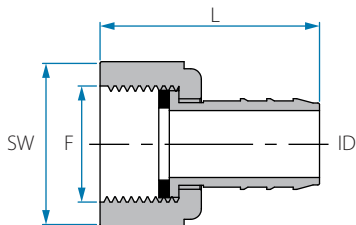
Fittings' dimensions
refer to tube ID or OD,
with respect to the
common application



Female Swivel Hose Connector with Washer

| Cat. No. | Tube ID mm | F (BSP) | L mm | D mm | Color |
|-------------|------------|---------|------|------|---------|
| 22454746122 | 6 | 3/4" | 37.9 | 33.5 | ■ Black |
| 22454748122 | 8 | 3/4" | 41.8 | 33.5 | |
| 22454748162 | 8 | 1" | 40.8 | 39.7 | |
| 22454750122 | 10 | 3/4" | 44.2 | 33.5 | |
| 22454752122 | 12 | 3/4" | 45 | 33.5 | |
| 22454752162 | 12 | 1" | 43.8 | 39.7 | |
| 22454754122 | 14 | 3/4" | 46.3 | 33.5 | |
| 22454754162 | 14 | 1" | 45.2 | 39.7 | |
| 22454756122 | 16 | 3/4" | 46.7 | 33.5 | |
| 22454756162 | 16 | 1" | 45.6 | 39.7 | |
| 22454759122 | 19 | 3/4" | 47.5 | 33.5 | |
| 22454759162 | 19 | 1" | 46.3 | 39.7 | |

Note: Use flat seal with this fitting

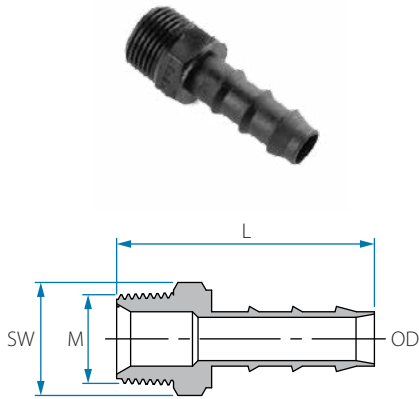


Female Swivel Hose Connector with Washer

| Cat. No. | Tube ID mm | F (BSP) | L | SW | Color |
|-------------|------------|---------|------|----|---------|
| 22454750062 | 10 | 3/8" | 32.8 | 17 | ■ Black |
| 22454752082 | 12 | 1/2" | 33.7 | 22 | |

Note: Use flat seal with this fitting

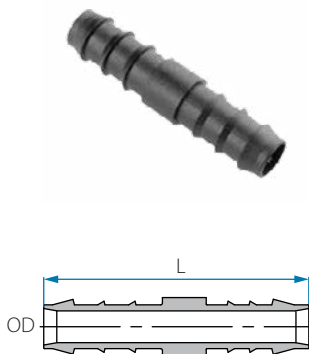
Male Straight Hose Connector



| Cat. No. | Tube OD mm | M (BSPT) | L mm | SW | Color |
|--------------|------------|----------|------|----|---------|
| 12456812022 | 12 | 1/8" | 44.0 | 11 | |
| 12456812042 | 12 | 1/4" | 47.7 | 14 | |
| 12456812062 | 12 | 3/8" | 47.3 | 17 | |
| 12456812082 | 12 | 1/2" | 50.8 | 22 | |
| 12456812122 | 12 | 3/4" | 51.4 | 27 | |
| 12456816042 | 16 | 1/4" | 47.6 | 14 | |
| 12456816082 | 16 | 1/2" | 51.3 | 22 | ■ Black |
| 12456816122 | 16 | 3/4" | 52.0 | 27 | |
| 12456820082 | 20 | 1/2" | 52.2 | 22 | |
| 12456820122 | 20 | 3/4" | 54.0 | 27 | |
| 12456820162 | 20 | 1" | 59.0 | 36 | |
| 12456825082 | 25 | 1/2" | 53.3 | 22 | |
| 12456825122 | 25 | 3/4" | 54.5 | 27 | |
| 12456825162 | 25 | 1" | 59.0 | 36 | |
| *12466817083 | 17 | 1/2" | 45.2 | 22 | ■ Brown |
| *12466817123 | 17 | 3/4" | 46.1 | 27 | |

Note: Packing 25 unit
 * Sharp barb (material: Acetal)

Union Hose Connector



| Cat. No. | Tube OD mm | L mm | Color |
|--------------|------------|------|---------|
| 12456212002 | 12 | 68.6 | |
| 12456216002 | 16 | 71.4 | |
| 12456220002 | 20 | 76.5 | ■ Black |
| 12456225002 | 25 | 76.5 | |
| *12466216002 | 16 | 49.0 | |
| *12466216003 | 16 | 49.0 | ■ Brown |
| *12466217003 | 17 | 58.3 | |

Note: Packing 25 unit
 * Short configuration

Fittings Products

Barb Connectors

Polypropylene



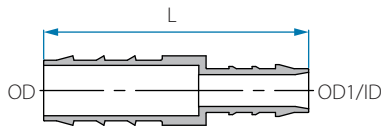
Working pressure
Up to 14 BAR
(200 psi) at 20 °C



Temperature
4 °C -90 °C
(subject to application)



Fittings' dimensions
refer to tube ID or OD,
with respect to the
common application

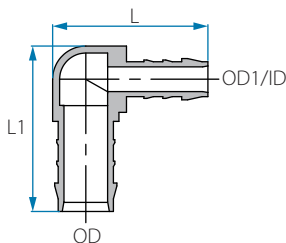


Reducing Hose Connector

| Cat. No. | Tube OD mm | Tube OD1 mm | L mm | Color |
|--------------|------------|-------------|------|---------|
| 12455612162 | 16 | 12 | 71.5 | |
| 12455612202 | 20 | 12 | 74.2 | |
| 12455616202 | 20 | 16 | 74.2 | |
| 12455620252 | 25 | 20 | 76.8 | ■ Black |
| *12465612172 | 17 | 12 | 64.1 | |
| *12465616172 | 17 | 16 | 66.0 | |
| *12465617202 | 20 | 17 | 68.8 | |

| Cat. No. | Tube OD mm | Tube ID mm | L mm | Color |
|-------------|------------|------------|------|---------|
| 12455648122 | 12 | 8 | 63.8 | |
| 12455652202 | 20 | 12 | 72.6 | |
| 12455656202 | 20 | 16 | 75.6 | ■ Black |
| 12455659202 | 20 | 19 | 75.4 | |
| 12455659252 | 25 | 19 | 75.3 | |

Note: Packing 25 unit
* Sharp barb (material: Acetal)



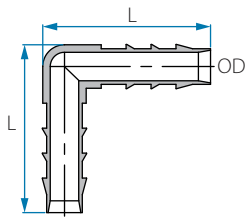
Reducing Elbow Hose Connector

| Cat. No. | Tube OD mm | Tube OD1 mm | L mm | L1 mm | Color |
|-------------|------------|-------------|------|-------|---------|
| 12456612162 | 16 | 12 | 51.2 | 49.5 | |
| 12456612202 | 20 | 12 | 56.4 | 55.0 | ■ Black |
| 12456616202 | 20 | 16 | 56.4 | 54.8 | |
| 12456620252 | 25 | 20 | 58.3 | 56.4 | |

Note: Packing 25 unit

| Cat. No. | Tube OD mm | Tube ID mm | L mm | L1 mm | Color |
|-------------|------------|------------|------|-------|---------|
| 12456652202 | 20 | 12 | 56.2 | 52.2 | |
| 12456656202 | 20 | 16 | 56.6 | 55.5 | ■ Black |
| 12456659202 | 20 | 19 | 55.2 | 56.4 | |
| 12456659252 | 25 | 19 | 58.4 | 57.4 | |

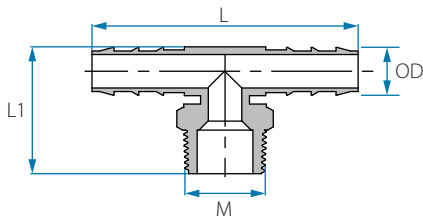
Note: Packing 25 unit



Union Elbow Hose Connector

| Cat. No. | Tube OD mm | L mm | Color |
|--------------|------------|------|---------|
| 12456512002 | 12 | 48.2 | ■ Black |
| 12456516002 | 16 | 49.6 | |
| 12456520002 | 20 | 56.8 | |
| 12456525002 | 25 | 58.8 | |
| *12466516003 | 16 | 40.5 | ■ Brown |
| *12466517003 | 17 | 45.1 | |

Note: Packing 25 unit
 * Sharp barb (material: Acetal)



Male Branch T Hose Connector

| Cat. No. | Tube OD mm | M (BSPT) | L mm | L1 mm | Color | |
|--------------|------------|----------|------|-------|---------|---------|
| 12457112042 | 12 | 1/4" | 84.7 | 34.1 | ■ Black | |
| 12457112062 | 12 | 3/8" | 84.9 | 34.3 | | |
| 12457112082 | 12 | 1/2" | 84.9 | 38.4 | | |
| 12457112122 | 12 | 3/4" | 84.8 | 38.9 | | |
| 12457116062 | 16 | 3/8" | 86.2 | 36.3 | | |
| 12457116082 | 16 | 1/2" | 86.2 | 40.0 | | |
| 12457116122 | 16 | 3/4" | 86.2 | 41.0 | | |
| 12457120082 | 20 | 1/2" | 93.7 | 45.5 | | |
| 12457120122 | 20 | 3/4" | 93.7 | 46.6 | | |
| 12457125082 | 25 | 1/2" | 93.7 | 47.6 | | |
| 12457125122 | 25 | 3/4" | 93.8 | 48.6 | | |
| *12467117083 | 17 | 1/2" | 74.3 | 41.9 | | ■ Brown |
| *12467117123 | 17 | 3/4" | 74.3 | 43.0 | | |

Note: Packing 25 unit
 * Sharp barb (material: Acetal)

Fittings Products

Barb Connectors

Polypropylene



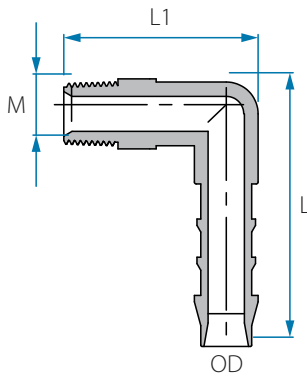
Working pressure
Up to 14 BAR
(200 psi) at 20 °C



Temperature
4 °C -90 °C
(subject to application)



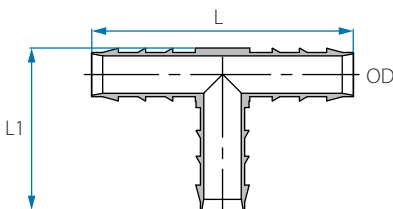
Fittings' dimensions
refer to tube ID or OD,
with respect to the
common application



BSPT Male Elbow Hose Connector

| Cat. No. | Tube OD mm | M (BSPT) | L mm | L1 mm | Color |
|--------------|------------|----------|------|-------|-------|
| 12456912042 | 12 | 1/4" | 48.4 | 34.0 | |
| 12456912062 | 12 | 3/8" | 48.4 | 34.7 | |
| 12456912082 | 12 | 1/2" | 48.4 | 38.0 | |
| 12456912122 | 12 | 3/4" | 48.5 | 39.4 | |
| 12456916062 | 16 | 3/8" | 51.1 | 36.2 | |
| 12456916082 | 16 | 1/2" | 51.6 | 39.5 | Black |
| 12456916122 | 16 | 3/4" | 51.1 | 41.0 | |
| 12456920082 | 20 | 1/2" | 56.3 | 45.0 | |
| 12456920122 | 20 | 3/4" | 56.0 | 46.8 | |
| 12456925082 | 25 | 1/2" | 58.3 | 47.2 | |
| 12456925122 | 25 | 3/4" | 58.7 | 48.5 | |
| *12466917083 | 17 | 1/2" | 45.5 | 41.9 | Brown |
| *12466917123 | 17 | 3/4" | 45.7 | 43.1 | |

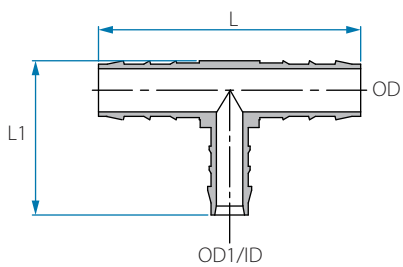
Note: Packing 25 unit
* Sharp barb (material: Acetal)



Union T Hose Connector

| Cat. No. | Tube OD mm | L mm | L1 mm | Color |
|--------------|------------|------|-------|-------|
| 12456412122 | 12 | 72.7 | 44.6 | |
| 12456416162 | 16 | 76.7 | 47.7 | Black |
| 12456420202 | 20 | 84.8 | 54.7 | |
| 12456425252 | 25 | 72.8 | 44.6 | |
| *12466416163 | 16 | 76.7 | 47.7 | Brown |
| *12466417173 | 17 | 84.7 | 54.9 | |

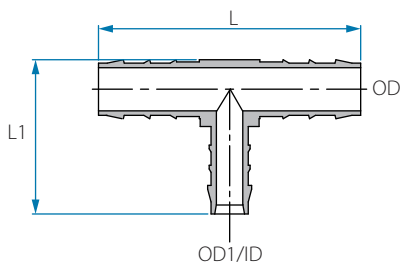
Note: Packing 25 unit
* Sharp barb (material: Acetal)



Reducing T Hose Connector

| Cat. No. | Tube OD1 mm | Tube OD mm | L mm | L1 mm | Color |
|-------------|-------------|------------|------|-------|---------|
| 12457212162 | 12 | 16 | 76.7 | 48.2 | ■ Black |
| 12457216202 | 16 | 20 | 84.6 | 52.3 | |
| 12457220252 | 20 | 25 | 88.7 | 58.6 | |

Note: Packing 25 unit



Reducing T Hose Connector

| Cat. No. | Tube OD mm | Tube ID mm | L mm | L1 mm | Color |
|-------------|------------|------------|------|-------|---------|
| 12457246162 | 16 | 6 | 76.8 | 40.6 | ■ Black |
| 12457252202 | 20 | 12 | 84.7 | 55.2 | |
| 12457256202 | 20 | 16 | 84.9 | 53.0 | |
| 12457259202 | 20 | 19 | 84.7 | 53.0 | |

Note: Packing 25 unit

HOSE FITTINGS

Tefen hose fittings are the perfect choice to connect all types of flexible rubber and plastic tubes in domestic, industrial and all other general applications.

Main advantages:

- Strong and durable, high impact resistant, all sizes are true outside diameter of the fittings, and will match Nylon 6-6 inside diameter of the tube. In order to secure tube on the fitting barb, it is recommended to use Tefen's snap clip or similar metal or plastic clip.
- How to use: push the tube onto the barb all the way to the stopper.
- Secure the tube tightly with a proper size snap clip.



Food Contact
FDA 21 CFR
For blue Nylon
6-6 only



Food Contact
(EU) 1935/2004
For blue Nylon
6-6 only



For blue, gray & black
Nylon 6-6 only



P. 61



P. 62



P. 63



P. 64



P. 65



P. 66



P. 67



P. 68



P. 68



P. 69



P. 69



P. 70



P. 70



P. 71



P. 73



P. 74



P. 75

Nylon 6-6



Working pressure
Up to 14 BAR
(200 psi) at 20 °C

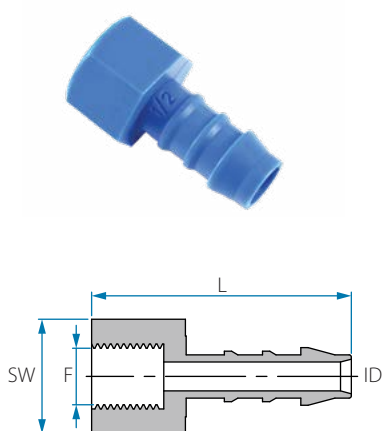


Temperature
-20 °C -110 °C
(subject to application)



Fittings' dimensions
refer to tube ID or OD,
with respect to the
common application

BSPT Female Connector



| Cat. No. | Tube ID mm | F (BSPT) | L mm | SW | Color |
|-------------|------------|----------|------|----|--------------------------------|
| 12446745028 | 5 | 1/8" | 34.4 | 14 | |
| 12446745048 | 5 | 1/4" | 35.2 | 17 | |
| 12446745068 | 5 | 3/8" | 36.5 | 22 | |
| 12446745088 | 5 | 1/2" | 38.7 | 26 | |
| 12446746028 | 6 | 1/8" | 36.3 | 14 | |
| 12446746048 | 6 | 1/4" | 37.2 | 17 | |
| 12446746068 | 6 | 3/8" | 38.3 | 22 | |
| 12446746088 | 6 | 1/2" | 40.8 | 26 | |
| 12446748028 | 8 | 1/8" | 39.4 | 14 | |
| 12446748048 | 8 | 1/4" | 39.4 | 17 | |
| 12446748068 | 8 | 3/8" | 40.4 | 22 | |
| 12446748088 | 8 | 1/2" | 42.7 | 26 | |
| 12446750048 | 10 | 1/4" | 41.5 | 17 | |
| 12446750068 | 10 | 3/8" | 42.3 | 22 | |
| 12446750088 | 10 | 1/2" | 45.0 | 26 | |
| 12446752048 | 12 | 1/4" | 42.4 | 17 | |
| 12446752068 | 12 | 3/8" | 43.3 | 22 | |
| 12446752088 | 12 | 1/2" | 46.0 | 26 | |
| 12446754068 | 14 | 3/8" | 45.0 | 22 | |
| 12446754088 | 14 | 1/2" | 47.3 | 26 | |
| 12446756088 | 16 | 1/2" | 48.1 | 26 | |
| 12446759088 | 19 | 1/2" | 48.8 | 26 | |
| 12446748041 | 8 | 1/4" | 39.4 | 17 | <input type="checkbox"/> White |

Blue

Note: Packing 25 unit

Fittings Products

Hose Fittings

Nylon 6-6



Working pressure
Up to 14 BAR
(200 psi) at 20 °C

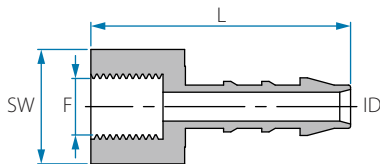


Temperature
-20 °C -110 °C
(subject to application)



Fittings' dimensions
refer to tube ID or OD,
with respect to the
common application

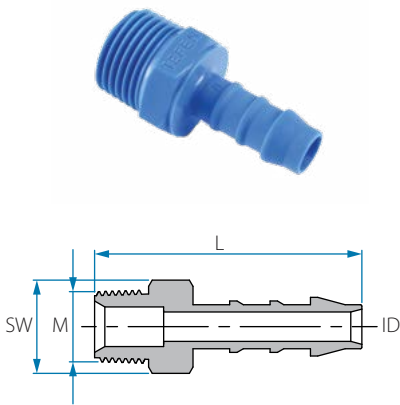
NPT Female Connector



| Cat. No. | Tube ID inch | F (NPT) | L mm | SW | Color |
|-------------|--------------|---------|------|----|-------|
| 12256704023 | 1/4" | 1/8" | 36.7 | 14 | |
| 12256704043 | 1/4" | 1/4" | 40.1 | 17 | |
| 12256704063 | 1/4" | 3/8" | 40.0 | 22 | |
| 12256704083 | 1/4" | 1/2" | 43.7 | 27 | |
| 12256705023 | 5/16" | 1/8" | 38.9 | 14 | |
| 12256705043 | 5/16" | 1/4" | 41.8 | 17 | |
| 12256705063 | 5/16" | 3/8" | 42.0 | 22 | |
| 12256705083 | 5/16" | 1/2" | 45.0 | 27 | |
| 12256706043 | 3/8" | 1/4" | 44.1 | 17 | |
| 12256706063 | 3/8" | 3/8" | 43.9 | 22 | Grey |
| 12256706083 | 3/8" | 1/2" | 47.2 | 27 | |
| 12256708043 | 1/2" | 1/4" | 44.7 | 17 | |
| 12256708063 | 1/2" | 3/8" | 45.2 | 22 | |
| 12256708083 | 1/2" | 1/2" | 48.8 | 27 | |
| 12256709063 | 9/16" | 3/8" | 46.5 | 22 | |
| 12256709083 | 9/16" | 1/2" | 50.3 | 27 | |
| 12256710083 | 5/8" | 1/2" | 50.4 | 27 | |
| 12256712083 | 3/4" | 1/2" | 51.7 | 27 | |

Note: Packing 25 unit

BSPT Male Hose Connector



| Cat. No. | Tube ID mm | M (BSPT) | L mm | SW | Color |
|-------------|------------|----------|------|----|-------|
| 12446844028 | 4 | 1/8" | 31.2 | 11 | |
| 12446844048 | 4 | 1/4" | 33.8 | 14 | |
| 12446845028 | 5 | 1/8" | 34.7 | 11 | |
| 12446845048 | 5 | 1/4" | 38.3 | 14 | |
| 12446845088 | 5 | 1/2" | 41.4 | 22 | |
| 12446846028 | 6 | 1/8" | 35.3 | 11 | |
| 12446846048 | 6 | 1/4" | 39.2 | 14 | |
| 12446846068 | 6 | 3/8" | 39.1 | 17 | |
| 12446846088 | 6 | 1/2" | 42.3 | 22 | |
| 12446846128 | 6 | 3/4" | 43.0 | 22 | |
| 12446848028 | 8 | 1/8" | 39.8 | 11 | |
| 12446848048 | 8 | 1/4" | 43.0 | 14 | |
| 12446848068 | 8 | 3/8" | 43.0 | 17 | |
| 12446848088 | 8 | 1/2" | 46.1 | 22 | |
| 12446848128 | 8 | 3/4" | 47.1 | 27 | |
| 12446850048 | 10 | 1/4" | 45.2 | 14 | |
| 12446850068 | 10 | 3/8" | 45.2 | 17 | Blue |
| 12446850088 | 10 | 1/2" | 48.3 | 22 | |
| 12446850128 | 10 | 3/4" | 49.3 | 27 | |
| 12446852048 | 12 | 1/4" | 46.0 | 14 | |
| 12446852068 | 12 | 3/8" | 46.0 | 17 | |
| 12446852088 | 12 | 1/2" | 49.3 | 22 | |
| 12446852128 | 12 | 3/4" | 50.0 | 27 | |
| 12446854068 | 14 | 3/8" | 47.5 | 17 | |
| 12446854088 | 14 | 1/2" | 50.8 | 22 | |
| 12446854128 | 14 | 3/4" | 51.7 | 27 | |
| 12446856088 | 16 | 1/2" | 51.3 | 22 | |
| 12446856128 | 16 | 3/4" | 52.2 | 27 | |
| 12446859088 | 19 | 1/2" | 52.2 | 22 | |
| 12446859128 | 19 | 3/4" | 53.3 | 27 | |
| 12446859168 | 19 | 1" | 60.1 | 36 | |
| 12446865128 | 25 | 3/4" | 54.8 | 27 | |
| 12446865168 | 25 | 1" | 66.6 | 36 | |

Note: Packing 25 unit

Fittings Products

Hose Fittings

Nylon 6-6



Working pressure
Up to 14 BAR
(200 psi) at 20 °C

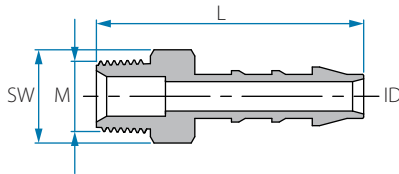


Temperature
-20 °C -110 °C
(subject to application)



Fittings' dimensions
refer to tube ID or OD,
with respect to the
common application

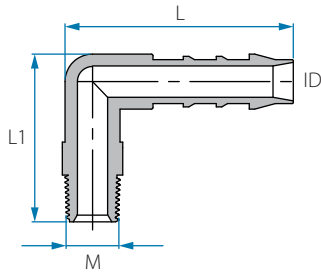
NPT Male Hose Connector



| Cat. No. | Tube ID inch | M (NPT) | L mm | SW | Color |
|-------------|--------------|---------|------|----|-------|
| 12256802023 | 5/32" | 1/8" | 30.7 | 11 | |
| 12256802043 | 5/32" | 1/4" | 35.3 | 14 | |
| 12256803023 | 3/16" | 1/8" | 36.3 | 11 | |
| 12256803043 | 3/16" | 1/4" | 39.7 | 14 | |
| 12256804023 | 1/4" | 1/8" | 36.1 | 11 | |
| 12256804043 | 1/4" | 1/4" | 40.6 | 14 | |
| 12256804063 | 1/4" | 3/8" | 41.9 | 17 | |
| 12256804083 | 1/4" | 1/2" | 46.7 | 22 | |
| 12256805023 | 5/16" | 1/8" | 40.2 | 11 | |
| 12256805043 | 5/16" | 1/4" | 44.7 | 14 | |
| 12256805063 | 5/16" | 3/8" | 45.9 | 17 | |
| 12256805083 | 5/16" | 1/2" | 51.0 | 22 | |
| 12256806043 | 3/8" | 1/4" | 46.5 | 14 | |
| 12256806063 | 3/8" | 3/8" | 47.7 | 17 | Grey |
| 12256806083 | 3/8" | 1/2" | 53.2 | 22 | |
| 12256806123 | 3/8" | 3/4" | 54.3 | 27 | |
| 12256808043 | 1/2" | 1/4" | 47.7 | 14 | |
| 12256808063 | 1/2" | 3/8" | 48.9 | 17 | |
| 12256808083 | 1/2" | 1/2" | 53.7 | 22 | |
| 12256808123 | 1/2" | 3/4" | 54.7 | 27 | |
| 12256809063 | 9/16" | 3/8" | 51.0 | 17 | |
| 12256809083 | 9/16" | 1/2" | 55.4 | 22 | |
| 12256809123 | 9/16" | 3/4" | 56.1 | 27 | |
| 12256810083 | 5/8" | 1/2" | 56.3 | 22 | |
| 12256810123 | 5/8" | 3/4" | 56.8 | 27 | |
| 12256812083 | 3/4" | 1/2" | 56.9 | 22 | |
| 12256812123 | 3/4" | 3/4" | 57.7 | 27 | |

Note: Packing 25 unit

BSPT Male Elbow Hose Connector



| Cat. No. | Tube ID mm | M (BSPT) | L mm | L1 mm | Color |
|-------------|------------|----------|------|-------|-------|
| 12446944028 | 4 | 1/8" | 26.7 | 24.1 | |
| 12446944048 | 4 | 1/4" | 26.7 | 27.2 | |
| 12446945028 | 5 | 1/8" | 31.8 | 26.8 | |
| 12446945048 | 5 | 1/4" | 32.0 | 29.8 | |
| 12446945088 | 5 | 1/2" | 31.8 | 33.0 | |
| 12446946028 | 6 | 1/8" | 35.5 | 27.3 | |
| 12446946048 | 6 | 1/4" | 35.5 | 29.8 | |
| 12446946068 | 6 | 3/8" | 35.5 | 30.0 | |
| 12446946088 | 6 | 1/2" | 35.5 | 33.7 | |
| 12446948028 | 8 | 1/8" | 41.5 | 30.4 | |
| 12446948048 | 8 | 1/4" | 41.5 | 32.8 | |
| 12446948068 | 8 | 3/8" | 41.5 | 32.8 | |
| 12446948088 | 8 | 1/2" | 41.5 | 36.8 | |
| 12446950048 | 10 | 1/4" | 45.5 | 33.9 | |
| 12446950068 | 10 | 3/8" | 45.5 | 34.1 | |
| 12446950088 | 10 | 1/2" | 45.5 | 37.8 | |
| 12446950128 | 10 | 3/4" | 45.5 | 38.9 | |
| 12446952048 | 12 | 1/4" | 48.7 | 35.0 | |
| 12446952068 | 12 | 3/8" | 48.7 | 35.3 | |
| 12446952088 | 12 | 1/2" | 48.7 | 39.0 | |
| 12446952128 | 12 | 3/4" | 48.7 | 39.7 | |
| 12446954068 | 14 | 3/8" | 51.4 | 38.5 | |
| 12446954088 | 14 | 1/2" | 51.4 | 42.3 | |
| 12446954128 | 14 | 3/4" | 51.4 | 43.3 | |
| 12446956088 | 16 | 1/2" | 53.7 | 44.9 | |
| 12446956128 | 16 | 3/4" | 53.7 | 46.0 | |
| 12446959088 | 19 | 1/2" | 56.0 | 46.4 | |
| 12446959128 | 19 | 3/4" | 56.4 | 47.5 | |

Blue

Note: Packing 25 unit

Fittings Products

Hose Fittings

Nylon 6-6



Working pressure
Up to 14 BAR
(200 psi) at 20 °C

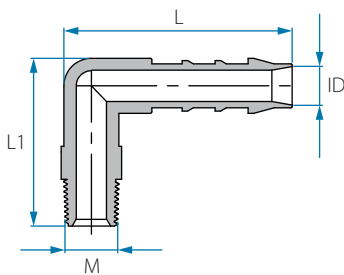


Temperature
-20 °C -110 °C
(subject to application)



Fittings' dimensions
refer to tube ID or OD,
with respect to the
common application

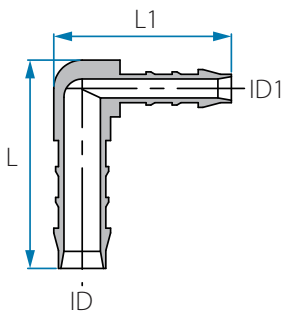
NPT Male Elbow Hose Connector



| Cat. No. | Tube ID inch | M (NPT) | L mm | L1 mm | Color |
|-------------|--------------|---------|------|-------|-------|
| 12256902023 | 5/32" | 1/8" | 25.7 | 26.0 | |
| 12256902043 | 5/32" | 1/4" | 25.9 | 31.1 | |
| 12256903023 | 3/16" | 1/8" | 31.8 | 28.6 | |
| 12256903043 | 3/16" | 1/4" | 33.4 | 31.8 | |
| 12256903083 | 3/16" | 1/2" | 41.8 | 31.8 | |
| 12256904023 | 1/4" | 1/8" | 35.4 | 29.0 | |
| 12256904043 | 1/4" | 1/4" | 35.5 | 33.7 | |
| 12256904063 | 1/4" | 3/8" | 35.5 | 33.8 | |
| 12256904083 | 1/4" | 1/2" | 42.2 | 35.5 | |
| 12256905023 | 5/16" | 1/8" | 41.5 | 32.1 | |
| 12256905043 | 5/16" | 1/4" | 41.2 | 36.7 | |
| 12256905063 | 5/16" | 3/8" | 41.5 | 36.6 | |
| 12256905083 | 5/16" | 1/2" | 41.5 | 43.1 | |
| 12256906043 | 3/8" | 1/4" | 45.4 | 37.7 | |
| 12256906063 | 3/8" | 3/8" | 45.3 | 37.5 | |
| 12256906083 | 3/8" | 1/2" | 45.4 | 44.4 | |
| 12256906123 | 3/8" | 3/4" | 45.4 | 44.0 | |
| 12256908043 | 1/2" | 1/4" | 48.6 | 39.0 | |
| 12256908063 | 1/2" | 3/8" | 48.3 | 28.6 | |
| 12256908083 | 1/2" | 1/2" | 48.7 | 45.2 | |
| 12256908123 | 1/2" | 3/4" | 48.7 | 45.2 | |
| 12256909063 | 9/16" | 3/8" | 51.4 | 42.2 | |
| 12256909083 | 9/16" | 1/2" | 51.4 | 48.6 | |
| 12256909123 | 9/16" | 3/4" | 51.5 | 48.5 | |
| 12256910083 | 5/8" | 1/2" | 53.8 | 51.5 | |
| 12256910123 | 5/8" | 3/4" | 53.8 | 51.4 | |
| 12256912083 | 3/4" | 1/2" | 56.6 | 52.8 | |
| 12256912123 | 3/4" | 3/4" | 56.2 | 53.0 | |

Grey

Note: Packing 25 unit



Reducing Elbow Hose Connector

| Cat. No. | Tube ID mm | Tube ID1 mm | L mm | L1 mm | Color |
|-------------|------------|-------------|------|-------|-------|
| 12446645448 | 5 | 4 | 31.8 | 27.8 | Blue |
| 12446646448 | 6 | 4 | 35.5 | 29.0 | |
| 12446646458 | 6 | 5 | 35.4 | 34.1 | |
| 12446648468 | 8 | 6 | 41.6 | 39.3 | |
| 12446650468 | 10 | 6 | 45.3 | 40.1 | |
| 12446650488 | 10 | 8 | 42.1 | 45.2 | |
| 12446652508 | 12 | 10 | 48.7 | 45.6 | |
| 12446654528 | 14 | 12 | 51.5 | 49.6 | |
| 12446656548 | 16 | 14 | 53.8 | 53.6 | |
| 12446659568 | 19 | 16 | 56.2 | 56.1 | |

| Cat. No. | Tube ID inch | Tube ID1 inch | L mm | L1 mm | Color |
|-------------|--------------|---------------|------|-------|-------|
| 12256603023 | 3/16" | 5/32" | 31.8 | 27.9 | Grey |
| 12256604033 | 1/4" | 3/16" | 35.4 | 34.1 | |
| 12256605043 | 5/16" | 1/4" | 39.4 | 41.6 | |
| 12256606043 | 3/8" | 1/4" | 40.2 | 45.3 | |
| 12256606053 | 3/8" | 5/16" | 42.5 | 45.5 | |
| 12256608063 | 1/2" | 3/8" | 45.8 | 48.6 | |
| 12256609083 | 9/16" | 1/2" | 49.8 | 51.1 | |
| 12256610093 | 5/8" | 9/16" | 53.6 | 53.6 | |
| 12256612103 | 3/4" | 5/8" | 55.8 | 55.8 | |

Note: Packing 25 unit

Fittings Products

Hose Fittings

Nylon 6-6



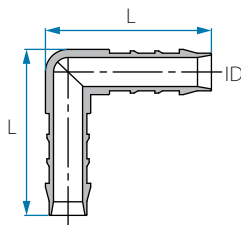
Working pressure
Up to 14 BAR
(200 psi) at 20 °C



Temperature
-20 °C -110 °C
(subject to application)



Fittings' dimensions
refer to tube ID or OD,
with respect to the
common application



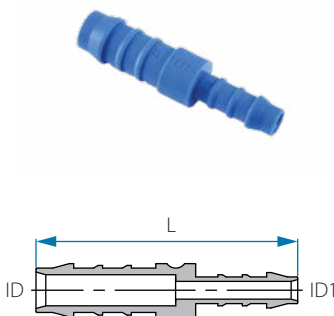
Union Elbow Hose Connector

| Cat. No. | Tube ID mm | L mm | Color |
|-------------|------------|------|-------|
| 12446544008 | 4 | 26.3 | |
| 12446545008 | 5 | 31.7 | |
| 12446546008 | 6 | 35.5 | |
| 12446548008 | 8 | 41.4 | |
| 12446550008 | 10 | 44.6 | Blue |
| 12446552008 | 12 | 46.3 | |
| 12446554008 | 14 | 51.0 | |
| 12446556008 | 16 | 53.9 | |
| 12446559008 | 19 | 55.7 | |

| Cat. No. | Tube ID inch | L mm | Color |
|-------------|--------------|------|-------|
| 12256502003 | 5/32" | 25.6 | |
| 12256503003 | 3/16" | 33.2 | |
| 12256504003 | 1/4" | 36.1 | |
| 12256505003 | 5/16" | 41.4 | |
| 12256506003 | 3/8" | 44.6 | Grey |
| 12256508003 | 1/2" | 47.6 | |
| 12256509003 | 9/16" | 51.2 | |
| 12256510003 | 5/8" | 54.3 | |
| 12256512003 | 3/4" | 55.7 | |

Note: Packing 25 unit

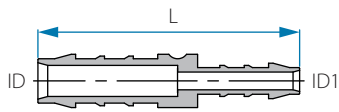
Reducing Hose Connector



| Cat. No. | Tube ID mm | Tube ID1 mm | L mm | Color |
|-------------|------------|-------------|------|-------|
| 12445645448 | 5 | 4 | 42.2 | |
| 12445646448 | 6 | 4 | 45.7 | |
| 12445646458 | 6 | 5 | 50.6 | |
| 12445648458 | 8 | 5 | 54.4 | |
| 12445648468 | 8 | 6 | 56.3 | |
| 12445650468 | 10 | 6 | 58.9 | |
| 12445650488 | 10 | 8 | 62.0 | |
| 12445652488 | 12 | 8 | 63.8 | Blue |
| 12445652508 | 12 | 10 | 65.3 | |
| 12445654508 | 14 | 10 | 69.1 | |
| 12445654528 | 14 | 12 | 69.9 | |
| 12445656528 | 16 | 12 | 70.3 | |
| 12445656548 | 16 | 14 | 71.7 | |
| 12445659548 | 19 | 14 | 72.7 | |
| 12445659568 | 19 | 16 | 73.2 | |

Note: Packing 25 unit

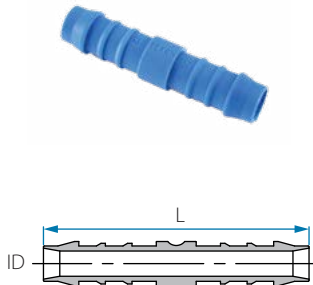
Reducing Hose Connector



| Cat. No. | Tube ID inch | Tube ID1 inch | L mm | Color |
|-------------|--------------|---------------|------|-------|
| 12255603023 | 3/16" | 5/32" | 42.2 | |
| 12255604023 | 1/4" | 5/32" | 45.7 | |
| 12255604033 | 1/4" | 3/16" | 50.6 | |
| 12255605033 | 5/16" | 3/16" | 54.4 | |
| 12255605043 | 5/16" | 1/4" | 56.3 | |
| 12255606043 | 3/8" | 1/4" | 58.9 | |
| 12255606053 | 3/8" | 5/16" | 62.0 | |
| 12255608053 | 1/2" | 5/16" | 63.8 | Grey |
| 12255608063 | 1/2" | 3/8" | 65.3 | |
| 12255609063 | 9/16" | 3/8" | 69.1 | |
| 12255609083 | 9/16" | 1/2" | 69.9 | |
| 12255610083 | 5/8" | 1/2" | 70.3 | |
| 12255610093 | 5/8" | 9/16" | 71.7 | |
| 12255612093 | 3/4" | 9/16" | 72.7 | |
| 12255612103 | 3/4" | 5/8" | 73.2 | |

Note: Packing 25 unit

Union Hose Connector



| Cat. No. | Tube ID mm | L mm | Color |
|-------------|------------|------|-------|
| 12446244008 | 4 | 36.6 | |
| 12446245008 | 5 | 48.5 | |
| 12446246008 | 6 | 52.2 | |
| 12446248008 | 8 | 59.3 | |
| 12446250008 | 10 | 63.0 | Blue |
| 12446252008 | 12 | 66.0 | |
| 12446254008 | 14 | 71.8 | |
| 12446256008 | 16 | 72.5 | |
| 12446259008 | 19 | 73.5 | |

| Cat. No. | Tube ID mm | L mm | Color |
|-------------|------------|------|-------|
| 12446248001 | 8 | 60 | White |

| Cat. No. | Tube ID inch | L mm | Color |
|--------------|--------------|------|-------|
| 12256202003 | 5/32" | 36.6 | |
| 12256203003 | 3/16" | 47.0 | |
| 12256204003 | 1/4" | 52.2 | |
| 12256205003 | 5/16" | 59.3 | |
| 12256206003 | 3/8" | 63.0 | Grey |
| 12256208003 | 1/2" | 66.3 | |
| 12256209003 | 9/16" | 71.9 | |
| 12256210003 | 5/8" | 71.4 | |
| *12256211003 | 11/16" | 59.1 | |
| 12256212003 | 3/4" | 73.8 | |

*Note: Packing 25 unit

Fittings Products

Hose Fittings

Nylon 6-6



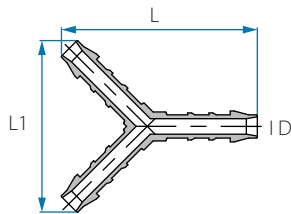
Working pressure
Up to 14 BAR
(200 psi) at 20 °C



Temperature
-20 °C -110 °C
(subject to application)



Fittings' dimensions
refer to tube ID or OD,
with respect to the
common application

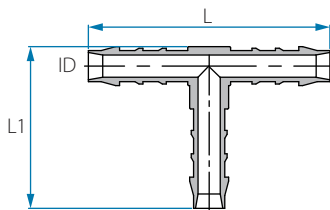


Y Hose Connector

| Cat. No. | Tube ID mm | L mm | L1 mm | Color |
|-------------|------------|------|-------|-------|
| 12446344448 | 4 | 35.0 | 31.0 | |
| 12446346468 | 6 | 51.2 | 44.5 | |
| 12446348488 | 8 | 56.6 | 40.6 | Blue |
| 12446350508 | 10 | 62.3 | 55.0 | |
| 12446357578 | 17 | 63.3 | 57.7 | |

| Cat. No. | Tube ID inch | L mm | L1 mm | Color |
|-------------|--------------|------|-------|-------|
| 12256302023 | 5/32" | 35.5 | 30.8 | |
| 12256304043 | 1/4" | 50.8 | 44.3 | |
| 12256305053 | 5/16" | 55.6 | 49.4 | Grey |
| 12256306063 | 3/8" | 60.8 | 54.9 | |
| 12256311113 | 1 1/16" | 62.5 | 57.4 | |

Note: Packing 25 unit

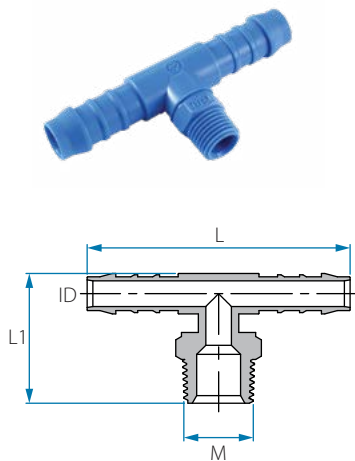


Union T Hose Connector

| Cat. No. | Tube ID mm | L mm | L1 mm | Color |
|-------------|------------|-------|-------|-------|
| 12446444448 | 4 | 40 | 24.3 | |
| 12446445458 | 5 | 50.95 | 30.8 | |
| 12446446468 | 6 | 56 | 32.2 | |
| 12446448488 | 8 | 61.7 | 38.5 | |
| 12446450508 | 10 | 67 | 41.8 | Blue |
| 12446452528 | 12 | 70.86 | 45.1 | |
| 12446454548 | 14 | 76.6 | 49.1 | |
| 12446456568 | 16 | 79.6 | 52.1 | |
| 12446459598 | 19 | 80.0 | 56.0 | |
| 12446456562 | 16 | 79.6 | 52.1 | Black |

| Cat. No. | Tube ID inch | L mm | L1 mm | Color |
|-------------|--------------|-------|-------|-------|
| 12256402023 | 5/32" | 40 | 24.3 | |
| 12256403033 | 3/16" | 50.95 | 30.9 | |
| 12256404043 | 1/4" | 56 | 32.2 | |
| 12256405053 | 5/16" | 61.2 | 38.2 | |
| 12256406063 | 3/8" | 67.0 | 41.8 | Grey |
| 12256408083 | 1/2" | 70.86 | 45.1 | |
| 12256409093 | 9/16" | 76.6 | 49.1 | |
| 12256410103 | 5/8" | 79.6 | 51.4 | |
| 12256412123 | 3/4" | 80.0 | 56 | |

Note: Packing 25 unit



BSPT Male Branch T Hose Connector

| Cat. No. | Tube ID mm | M (BSPT) | L mm | L1 mm | Color |
|-------------|------------|----------|------|-------|-------|
| 12447144028 | 4 | 1/8" | 39.4 | 22.2 | |
| 12447144048 | 4 | 1/4" | 45.2 | 27.0 | |
| 12447145028 | 5 | 1/8" | 50.9 | 23.8 | |
| 12447145048 | 5 | 1/4" | 56.5 | 29.6 | |
| 12447146028 | 6 | 1/8" | 55.8 | 24.8 | |
| 12447146048 | 6 | 1/4" | 63.1 | 30.0 | |
| 12447146068 | 6 | 3/8" | 63.1 | 30.0 | |
| 12447146088 | 6 | 1/2" | 63.1 | 33.8 | |
| 12447148028 | 8 | 1/8" | 61.7 | 27.3 | |
| 12447148048 | 8 | 1/4" | 72.7 | 33.1 | |
| 12447148068 | 8 | 3/8" | 72.7 | 33.1 | |
| 12447148088 | 8 | 1/2" | 61.8 | 33.9 | |
| 12447150048 | 10 | 1/4" | 78.7 | 34.1 | |
| 12447150068 | 10 | 3/8" | 78.7 | 34.1 | Blue |
| 12447150088 | 10 | 1/2" | 78.9 | 38.1 | |
| 12447150128 | 10 | 3/4" | 78.9 | 39.1 | |
| 12447152048 | 12 | 1/4" | 82.7 | 35.2 | |
| 12447152068 | 12 | 3/8" | 82.7 | 35.2 | |
| 12447152088 | 12 | 1/2" | 82.6 | 39.1 | |
| 12447152128 | 12 | 3/4" | 82.6 | 40.0 | |
| 12447154068 | 14 | 3/8" | 85.6 | 38.5 | |
| 12447154088 | 14 | 1/2" | 85.6 | 42.1 | |
| 12447154128 | 14 | 3/4" | 85.6 | 43.3 | |
| 12447156088 | 16 | 1/2" | 88.2 | 45.0 | |
| 12447156128 | 16 | 3/4" | 88.5 | 46.3 | |
| 12447159088 | 19 | 1/2" | 90.3 | 46.3 | |
| 12447159128 | 19 | 3/4" | 90.7 | 47.7 | |

Note: Packing 25 unit

Fittings Products

Hose Fittings

Nylon 6-6



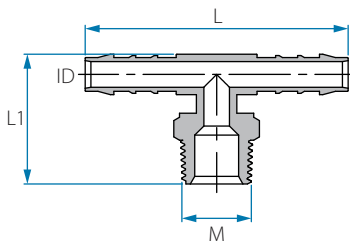
Working pressure
Up to 14 BAR
(200 psi) at 20 °C



Temperature
-20 °C -110 °C
(subject to application)



Fittings' dimensions
refer to tube ID or OD,
with respect to the
common application

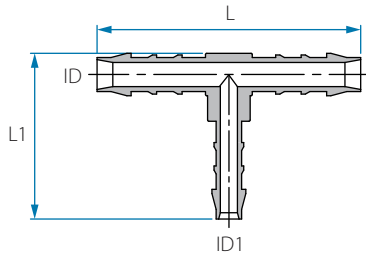


NPT Male Branch T Hose Connector

| Cat. No. | Tube ID inch | M (NPT) | L mm | L1 mm | Color |
|-------------|--------------|---------|------|-------|-------|
| 12257103083 | 3/16" | 1/2" | 56.3 | 39.3 | |
| 12257104023 | 1/4" | 1/8" | 63.0 | 29.4 | |
| 12257104043 | 1/4" | 1/4" | 63.0 | 33.8 | |
| 12257104063 | 1/4" | 3/8" | 63.0 | 33.7 | |
| 12257104083 | 1/4" | 1/2" | 63.0 | 40.3 | |
| 12257105023 | 5/16" | 1/8" | 72.5 | 32.3 | |
| 12257105043 | 5/16" | 1/4" | 72.5 | 36.8 | |
| 12257105063 | 5/16" | 3/8" | 72.5 | 36.9 | |
| 12257105083 | 5/16" | 1/2" | 72.5 | 42.8 | |
| 12257106043 | 3/8" | 1/4" | 78.5 | 38.0 | |
| 12257106063 | 3/8" | 3/8" | 78.5 | 37.7 | |
| 12257106083 | 3/8" | 1/2" | 78.5 | 44.0 | |
| 12257106123 | 3/8" | 3/4" | 78.5 | 43.8 | Grey |
| 12257108043 | 1/2" | 1/4" | 82.6 | 39.3 | |
| 12257108063 | 1/2" | 3/8" | 82.6 | 38.8 | |
| 12257108083 | 1/2" | 1/2" | 82.6 | 45.5 | |
| 12257108123 | 1/2" | 3/4" | 82.6 | 45.5 | |
| 12257109063 | 9/16" | 3/8" | 85.2 | 42.6 | |
| 12257109083 | 9/16" | 1/2" | 85.2 | 48.3 | |
| 12257109123 | 9/16" | 3/4" | 85.2 | 48.3 | |
| 12257110083 | 5/8" | 1/2" | 88.4 | 51.5 | |
| 12257110123 | 5/8" | 3/4" | 88.4 | 51.1 | |
| 12257112083 | 3/4" | 1/2" | 90.5 | 53.0 | |
| 12257112123 | 3/4" | 3/4" | 90.5 | 52.5 | |

Note: Packing 25 unit

Reducing T Hose Connector



| Cat. No. | Tube ID mm | Tube ID1 mm | L mm | L1 mm | Color |
|-------------|------------|-------------|------|-------|-------|
| 12447245448 | 5 | 4 | 50.7 | 25.7 | Blue |
| 12447246458 | 6 | 5 | 55.7 | 31.8 | |
| 12447248468 | 8 | 6 | 61.5 | 36.2 | |
| 12447250488 | 10 | 8 | 66.5 | 39.3 | |
| 12447252508 | 12 | 10 | 70.6 | 44.5 | |
| 12447254528 | 14 | 12 | 76.7 | 44.5 | |
| 12447256548 | 16 | 14 | 79.5 | 51.1 | |
| 12447259568 | 19 | 16 | 84.6 | 55.4 | |

Note: Packing 25 unit

| Cat. No. | Tube ID inch | Tube ID1 inch | L mm | L1 mm | Color |
|-------------|--------------|---------------|------|-------|-------|
| 12257203023 | 3/16" | 5/32" | 50.6 | 25.9 | Grey |
| 12257204033 | 1/4" | 3/16" | 55.8 | 32.0 | |
| 12257205043 | 5/16" | 1/4" | 61.5 | 36.2 | |
| 12257206053 | 3/8" | 5/16" | 66.5 | 39.3 | |
| 12257208063 | 1/2" | 3/8" | 70.3 | 43.5 | |
| 12257209083 | 9/16" | 1/2" | 76.3 | 48.0 | |
| 12257210093 | 5/8" | 9/16" | 79.4 | 51.0 | |
| 12257212103 | 3/4" | 5/8" | 84.3 | 55.2 | |

Note: Packing 25 unit

Fittings Products

Hose Fittings

Nylon 6-6



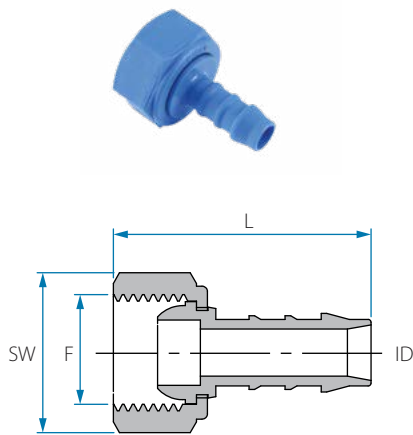
Working pressure
Up to 14 BAR
(200 psi) at 20 °C



Temperature
-20 °C -110 °C
(subject to application)



Fittings' dimensions
refer to tube ID or OD,
with respect to the
common application

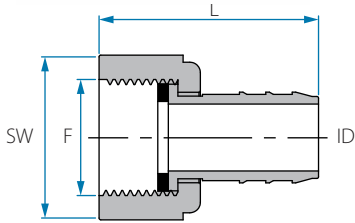


Note: No need for flat washer

Female Swivel Straight Hose Connector - Conical Seat

| Cat. No. | Tube ID mm | F (BSP) | L mm | SW | Color |
|-------------|------------|---------|------|----|-------|
| 22444644028 | 4 | 1/8" | 27.5 | 13 | |
| 22444644048 | 4 | 1/4" | 31.7 | 17 | |
| 22444645028 | 5 | 1/8" | 32.0 | 13 | |
| 22444645048 | 5 | 1/4" | 36.2 | 17 | |
| 22444645068 | 5 | 3/8" | 36.0 | 20 | |
| 22444646048 | 6 | 1/4" | 37.3 | 17 | |
| 22444646068 | 6 | 3/8" | 36.8 | 20 | |
| 22444646088 | 6 | 1/2" | 39.5 | 24 | |
| 22444648048 | 8 | 1/4" | 41.3 | 17 | |
| 22444648068 | 8 | 3/8" | 40.8 | 20 | |
| 22444648088 | 8 | 1/2" | 43.6 | 24 | Blue |
| 22444648128 | 8 | 3/4" | 43.4 | 30 | |
| 22444650068 | 10 | 3/8" | 42.8 | 20 | |
| 22444650088 | 10 | 1/2" | 43.6 | 24 | |
| 22444650128 | 10 | 3/4" | 45.6 | 30 | |
| 22444652088 | 12 | 1/2" | 46.7 | 24 | |
| 22444652128 | 12 | 3/4" | 46.5 | 30 | |
| 22444654088 | 14 | 1/2" | 48.9 | 24 | |
| 22444654128 | 14 | 3/4" | 48.1 | 30 | |
| 22444656128 | 16 | 3/4" | 48.5 | 30 | |
| 22444659128 | 19 | 3/4" | 49.3 | 30 | |
| 22444648042 | 8 | 1/4" | 41.3 | 17 | |
| 22444650062 | 10 | 3/8" | 42.8 | 20 | Black |
| 22444652082 | 12 | 1/2" | 46.7 | 24 | |

Female Swivel Straight Hose Connector



| Cat. No. | F (BSP) | Tube ID1 mm | L mm | SW | Color |
|--------------|---------|-------------|------|----|-------|
| *22454765168 | 24 | 1" | 61.8 | 44 | Blue |

Material: Polypropylene

Note: Sealing is by flat washer (order separately)

THREADED CONNECTORS



**Food Contact
FDA 21 CFR**
For blue Nylon
6-6 only



**Food Contact
(EU) 1935/2004**
For blue Nylon
6-6 only



For blue, gray & black
Nylon 6-6 only



P. 77



P. 77



P. 78



P. 78



P. 79



P. 79



P. 80



P. 80



P. 81



P. 81



P. 82



P. 82



P. 83



P. 83



P. 83

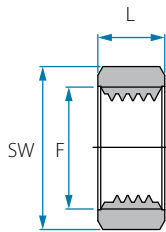
Nylon 6-6



Working pressure
Up to 14 BAR
(200 psi) at 20 °C



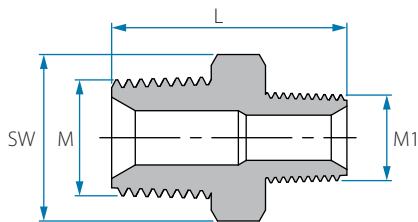
Temperature
-20 °C -110 °C
(subject to application)



Panel Mounting Nut

| Cat. No. | F (BSPT) | L mm | SW | Color |
|---------------|----------|------|----|-------|
| **32006100042 | 1/4" | 5.0 | 17 | Black |
| 32006100081 | 1/2" | 11.6 | 26 | White |
| 32006100082 | 1/2" | 11.6 | 26 | Black |
| 32006100088 | 1/2" | 11.6 | 26 | Blue |
| *32006100201 | M20 | 10 | 26 | White |

Note: Packing 25 unit
* Thin configuration
** Acetal



BSPT Pipe Reducing Nipple

| Cat. No. | M (BSPT) | MI (BSPT) | L mm | SW | Color |
|-------------|----------|-----------|------|----|-------|
| 12012304028 | 1/4" | 1/8" | 25.2 | 14 | |
| 12012306028 | 3/8" | 1/8" | 27.1 | 17 | |
| 12012306048 | 3/8" | 1/4" | 28.5 | 17 | Blue |
| 12012308048 | 1/2" | 1/4" | 31.5 | 22 | |
| 12012308068 | 1/2" | 3/8" | 31.5 | 22 | |
| 12012312088 | 3/4" | 1/2" | 34.5 | 27 | |

Note: Packing 25 unit

NPT Pipe Reducing Nipple

| Cat. No. | M (NPT) | MI (NPT) | L mm | SW | Color |
|-------------|---------|----------|------|----|-------|
| 12022304023 | 1/4" | 1/8" | 28.4 | 14 | |
| 12022306023 | 3/8" | 1/8" | 29.6 | 17 | |
| 12022308023 | 1/2" | 1/8" | 34.9 | 22 | |
| 12022312023 | 3/4" | 1/8" | 35.4 | 27 | |
| 12022306043 | 3/8" | 1/4" | 33.4 | 17 | |
| 12022308043 | 1/2" | 1/4" | 38.7 | 22 | Grey |
| 12022312043 | 3/4" | 1/4" | 39.4 | 27 | |
| 12022308063 | 1/2" | 3/8" | 39.1 | 22 | |
| 12022312063 | 3/4" | 3/8" | 39.6 | 27 | |
| 12022312083 | 3/4" | 1/2" | 44.1 | 27 | |

Note: Packing 25 unit

Fittings Products

Threaded Connectors

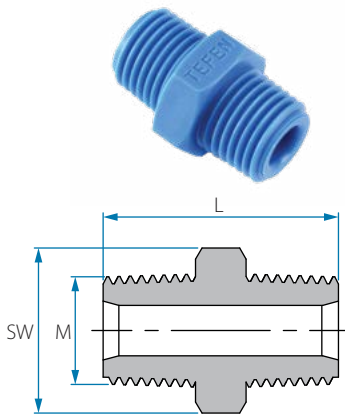
Nylon 6-6



Working pressure
Up to 14 BAR
(200 psi) at 20 °C



Temperature
-20 °C -110 °C
(subject to application)



BSPT Pipe Hex Nipple

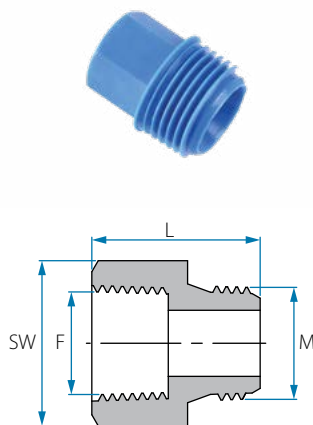
| Cat. No. | M (BSPT) | L mm | SW | Color |
|-------------|----------|------|----|-------|
| 12012202028 | 1/8" | 23.2 | 11 | Blue |
| 12012204048 | 1/4" | 27.1 | 14 | |
| 12012206068 | 3/8" | 28.2 | 17 | |
| 12012208088 | 1/2" | 34.1 | 22 | |
| 12012212128 | 3/4" | 36 | 27 | |

Note: Packing 25 unit

NPT Pipe Hex Nipple

| Cat. No. | M (NPT) | L mm | SW | Color |
|-------------|---------|------|----|-------|
| 12022202023 | 1/8" | 23.9 | 11 | Grey |
| 12022204043 | 1/4" | 32.7 | 14 | |
| 12022206063 | 3/8" | 34.4 | 17 | |
| 12022208083 | 1/2" | 43.3 | 22 | |
| 12022212123 | 3/4" | 44.4 | 27 | |

Note: Packing 25 unit

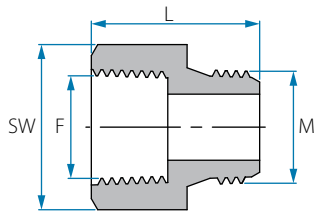


BSPT Pipe Adaptor

| Cat. No. | F (BSPT) | M (BSPT) | L mm | SW | Color |
|-------------|----------|----------|------|----|-------|
| 12012002028 | 1/8" | 1/8" | 23.0 | 14 | Blue |
| 12012002048 | 1/8" | 1/4" | 23.0 | 14 | |
| 12012002068 | 1/8" | 3/8" | 24.0 | 14 | |
| 12012002088 | 1/8" | 1/2" | 26.9 | 14 | |
| 12012004028 | 1/4" | 1/8" | 22.1 | 17 | |
| 12012004048 | 1/4" | 1/4" | 24.0 | 17 | |
| 12012004068 | 1/4" | 3/8" | 24.8 | 17 | |
| 12012004088 | 1/4" | 1/2" | 27.2 | 17 | |
| 12012006028 | 3/8" | 1/8" | 23.1 | 22 | |
| 12012006048 | 3/8" | 1/4" | 25.2 | 22 | |
| 12012006068 | 3/8" | 3/8" | 25.7 | 22 | |
| 12012006088 | 3/8" | 1/2" | 28.2 | 22 | |
| 12012008028 | 1/2" | 1/8" | 25.6 | 26 | |
| 12012008048 | 1/2" | 1/4" | 27.3 | 26 | |
| 12012008068 | 1/2" | 3/8" | 28.0 | 26 | |
| 12012008088 | 1/2" | 1/2" | 30.6 | 26 | |

Note: Packing 25 unit

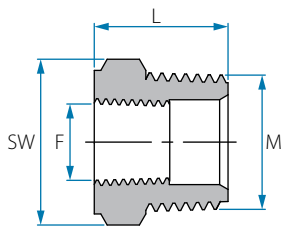
NPT Pipe Adaptor



| Cat. No. | F (NPT) | M (NPT) | L mm | SW | Color |
|-------------|---------|---------|------|----|--------|
| 12022002023 | 1/8" | 1/8" | 23.4 | 14 | ■ Grey |
| 12022002043 | 1/8" | 1/4" | 23.4 | 14 | |
| 12022002063 | 1/8" | 3/8" | 27.4 | 14 | |
| 12022002083 | 1/8" | 1/2" | 32.5 | 14 | |
| 12022004023 | 1/4" | 1/8" | 26.5 | 17 | |
| 12022004043 | 1/4" | 1/4" | 30.7 | 17 | |
| 12022004063 | 1/4" | 3/8" | 30.5 | 17 | |
| 12022004083 | 1/4" | 1/2" | 35.5 | 17 | |
| 12022006023 | 3/8" | 1/8" | 26.3 | 22 | |
| 12022006043 | 3/8" | 1/4" | 26.5 | 22 | |
| 12022006063 | 3/8" | 3/8" | 30.4 | 22 | |
| 12022006083 | 3/8" | 1/2" | 35.5 | 22 | |
| 12022008023 | 1/2" | 1/8" | 30.0 | 26 | |
| 12022008043 | 1/2" | 1/4" | 34.0 | 26 | |
| 12022008063 | 1/2" | 3/8" | 36.6 | 26 | |
| 12022008083 | 1/2" | 1/2" | 39.0 | 26 | |

Note: Packing 25 unit

BSPT Pipe Bushing



| Cat. No. | M (BSPT) | F (BSPT) | L mm | SW | Color |
|-------------|----------|----------|------|----|--------|
| 12011004028 | 1/4" | 1/8" | 17.2 | 14 | ■ Blue |
| 12011006028 | 3/8" | 1/8" | 17.8 | 17 | |
| 12011006048 | 3/8" | 1/4" | 17.8 | 17 | |
| 12011008028 | 1/2" | 1/8" | 20.7 | 22 | |
| 12011008048 | 1/2" | 1/4" | 20.4 | 22 | |
| 12011008068 | 1/2" | 3/8" | 20.7 | 22 | |
| 12011012048 | 3/4" | 1/4" | 22.0 | 27 | |
| 12011012068 | 3/4" | 3/8" | 22.2 | 27 | |
| 12011012088 | 3/4" | 1/2" | 22.4 | 27 | |

Note: Packing 25 unit

NPT Pipe Bushing

| Cat. No. | M (NPT) | F (NPT) | L mm | SW | Color |
|-------------|---------|---------|------|----|--------|
| 12021004023 | 1/4" | 1/8" | 21.0 | 15 | ■ Grey |
| 12021006023 | 3/8" | 1/8" | 20.8 | 18 | |
| 12021006043 | 3/8" | 1/4" | 20.8 | 19 | |
| 12021008023 | 1/2" | 1/8" | 27.2 | 24 | |
| 12021008043 | 1/2" | 1/4" | 27.1 | 19 | |
| 12021008063 | 1/2" | 3/8" | 27.2 | 29 | |
| 12021012043 | 3/4" | 1/4" | 27.0 | 29 | |
| 12021012063 | 3/4" | 3/8" | 27.2 | 29 | |
| 12021012083 | 3/4" | 1/2" | 27.3 | 29 | |

Note: Packing 25 unit

Fittings Products

Threaded Connectors

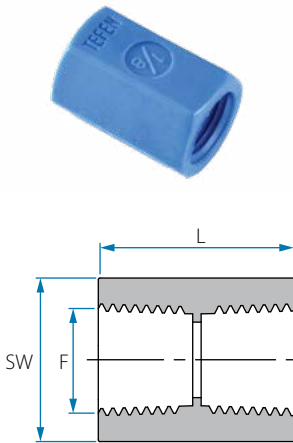
Nylon 6-6



Working pressure
Up to 14 BAR
(200 psi) at 20 °C



Temperature
-20 °C -110 °C
(subject to application)



BSPT Female Pipe Coupling

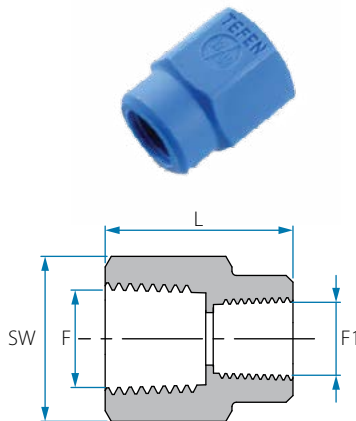
| Cat. No. | F (BSPT) | L mm | SW | Color |
|-------------|----------|------|----|-------|
| 12010302021 | 1/8" | 20.0 | 14 | White |
| 12010304042 | 1/4" | 23.6 | 17 | Black |
| 12010312122 | 3/4" | 38.0 | 34 | |
| 12010302028 | 1/8" | 20.0 | 14 | |
| 12010304048 | 1/4" | 23.6 | 17 | |
| 12010306068 | 3/8" | 24.5 | 21 | Blue |
| 12010308088 | 1/2" | 29.7 | 26 | |
| 12010312128 | 3/4" | 38.0 | 34 | |

Note: Packing 25 unit

NPT Female Pipe Coupling

| Cat. No. | F (NPT) | L mm | SW | Color |
|-------------|---------|------|----|-------|
| 12020302023 | 1/8" | 19.7 | 14 | |
| 12020304043 | 1/4" | 23.5 | 17 | Grey |
| 12020306063 | 3/8" | 24.6 | 22 | |
| 12020308083 | 1/2" | 29.5 | 27 | |

Note: Packing 25 unit



BSPT Pipe Reducing Coupling

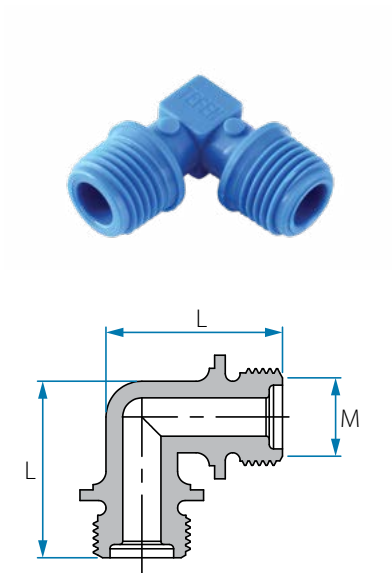
| Cat. No. | F (BSPT) | F1 (BSPT) | L mm | SW | Color |
|-------------|----------|-----------|------|----|-------|
| 12011904028 | 1/4" | 1/8" | 22.0 | 17 | |
| 12011906028 | 3/8" | 1/8" | 24.5 | 21 | |
| 12011906048 | 3/8" | 1/4" | 24.5 | 21 | |
| 12011908048 | 1/2" | 1/4" | 27.0 | 26 | Blue |
| 12011908068 | 1/2" | 3/8" | 27.0 | 26 | |
| 12011912048 | 3/4" | 1/4" | 30.1 | 34 | |
| 12011912088 | 3/4" | 1/2" | 35.0 | 34 | |

Note: Packing 25 unit

NPT Pipe Reducing Coupling

| Cat. No. | F (NPT) | F1 (NPT) | L mm | SW | Color |
|-------------|---------|----------|------|----|-------|
| 12021904023 | 1/4" | 1/8" | 22.0 | 17 | |
| 12021906023 | 3/8" | 1/8" | 24.4 | 22 | |
| 12021906043 | 3/8" | 1/4" | 24.8 | 22 | Grey |
| 12021908043 | 1/2" | 1/4" | 27.0 | 26 | |
| 12021908063 | 1/2" | 3/8" | 26.8 | 26 | |

Note: Packing 25 unit



BSPT Threaded Elbow

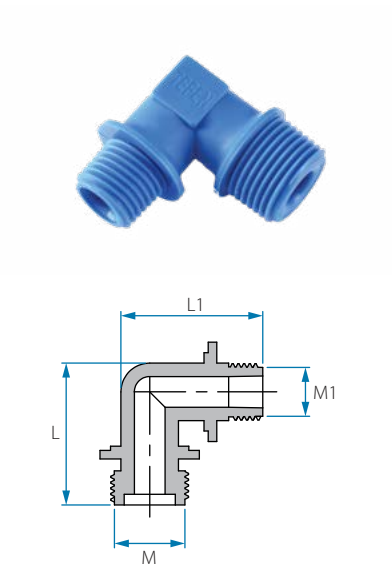
| Cat. No. | M (BSPT) | L mm | Color |
|-------------|----------|------|-------|
| 12016502008 | 1/8" | 24.4 | Blue |
| 12016504008 | 1/4" | 26.4 | |
| 12016506008 | 3/8" | 31.8 | |
| 12016508008 | 1/2" | 40.2 | Black |
| 12016502002 | 1/8" | 24.4 | |
| 12016504001 | 1/4" | 26.4 | |
| 12016504002 | 1/4" | 26.4 | Black |

Note: Packing 25 unit

NPT Threaded Elbow

| Cat. No. | M (NPT) | L mm | Color |
|-------------|---------|------|-------|
| 12026502003 | 1/8" | 23.8 | Grey |
| 12026504003 | 1/4" | 28.4 | |

Note: Packing 25 unit



BSPT Reducing Threaded Elbow

| Cat. No. | M (BSPT) | M1 (BSPT) | L mm | L1 mm | Color |
|-------------|----------|-----------|------|-------|-------|
| 12016904028 | 1/4" | 1/8" | 26.4 | 24.4 | Blue |
| 12016906048 | 3/8" | 1/4" | 31.8 | 31.5 | |
| 12016908068 | 1/2" | 3/8" | 40.0 | 38.1 | |

Note: Packing 25 unit

NPT Reducing Threaded Elbow

| Cat. No. | M (NPT) | M1 (NPT) | L mm | L1 mm | Color |
|-------------|---------|----------|------|-------|-------|
| 12026904023 | 1/4" | 1/8" | 28.4 | 24.0 | Grey |

Note: Packing 25 unit

Fittings Products

Threaded Connectors

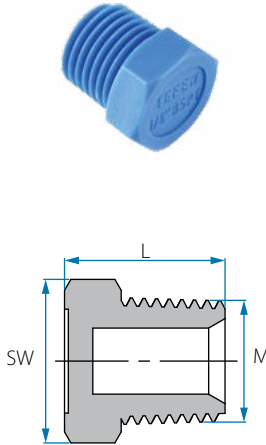
Nylon 6-6



Working pressure
Up to 14 BAR
(200 psi) at 20 °C



Temperature
-20 °C -110 °C
(subject to application)



BSPT Hex Threaded Plug

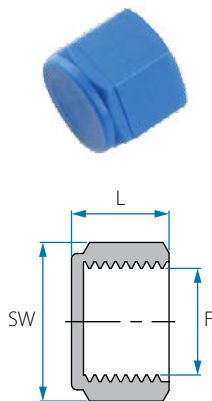
| Cat. No. | M (BSPT) | L mm | SW | Color |
|-------------|----------|------|----|-------|
| 12012102008 | 1/8" | 13.6 | 11 | Blue |
| 12012104008 | 1/4" | 16.6 | 14 | |
| 12012106008 | 3/8" | 16.1 | 17 | |
| 12012108008 | 1/2" | 19.6 | 22 | |
| 12012112008 | 3/4" | 22.0 | 27 | |
| 12012116008 | 1" | 27.0 | 36 | |
| 12012104001 | 1/4" | 16.6 | 14 | White |
| 12012104002 | 1/4" | 16.6 | 14 | Black |
| 12012102002 | 1/8" | 13.6 | 11 | |

Note: Packing 25 unit

NPT Hex Threaded Plug

| Cat. No. | M (NPT) | L mm | SW | Color |
|-------------|---------|------|----|-------|
| 12022102003 | 1/8" | 14.7 | 11 | Grey |
| 12022104003 | 1/4" | 19.4 | 14 | |
| 12022106003 | 3/8" | 20.4 | 17 | |
| 12022108003 | 1/2" | 25.6 | 22 | |
| 12022112003 | 3/4" | 26.0 | 27 | |

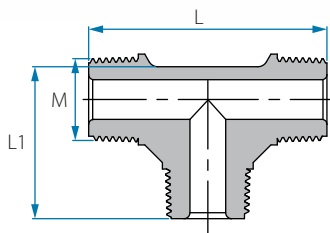
Note: Packing 25 unit



BSPT Pipe Cap

| Cat. No. | F (BSPT) | L mm | SW | Color |
|-------------|----------|------|----|-------|
| 12010802008 | 1/8" | 10.4 | 13 | Blue |
| 12010804008 | 1/4" | 14.2 | 17 | |
| 12010806008 | 3/8" | 14.2 | 20 | |
| 12010808008 | 1/2" | 17.1 | 24 | |
| 12010812008 | 3/4" | 17.1 | 30 | |

Note: Packing 25 unit



BSPT Pipe T

| Cat. No. | M (BSPT) | L mm | L1 mm | Color |
|-------------|----------|------|-------|-------|
| 12016402008 | 1/8" | 39.8 | 24.1 | Blue |
| 12016404008 | 1/4" | 44.0 | 26.2 | |
| 12016406008 | 3/8" | 50.5 | 32.0 | |
| 12016408008 | 1/2" | 64.0 | 40.3 | |

Note: Packing 25 unit

NPT Pipe T

| Cat. No. | M (NPT) | L mm | L1 mm | Color |
|-------------|---------|------|-------|-------|
| 12026402003 | 1/8" | 39.3 | 24.0 | Grey |
| 12026404003 | 1/4" | 48.4 | 28.5 | |

Note: Packing 25 unit

BSPT Pipe Reducing Branch T

| Cat. No. | M (BSPT) | M1 (BSPT) | L mm | L1 mm | Color |
|-------------|----------|-----------|------|-------|-------|
| 12017102048 | 1/8" | 1/4" | 39.7 | 26.4 | Blue |
| 12017104028 | 1/4" | 1/8" | 43.3 | 24.2 | |
| 12017104068 | 1/4" | 3/8" | 43.3 | 38.2 | |
| 12017106048 | 3/8" | 1/4" | 60.2 | 26.4 | |
| 12017108068 | 1/2" | 3/8" | 64.2 | 38.2 | |
| 12017106088 | 3/8" | 1/2" | 60.2 | 40.4 | |

Note: Packing 25 unit

NPT Pipe Reducing Branch T

| Cat. No. | M (NPT) | M1 (NPT) | L mm | L1 mm | Color |
|-------------|---------|----------|------|-------|-------|
| 12027104023 | 1/4" | 1/8" | 48.4 | 24.0 | Grey |

Note: Packing 25 unit

BSPT Pipe Reducing Run T

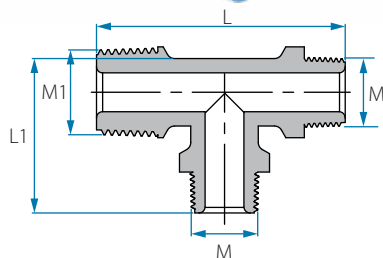
| Cat. No. | M (BSPT) | M1 (BSPT) | L mm | L1 mm | Color |
|-------------|----------|-----------|------|-------|-------|
| 12017204028 | 1/4" | 1/8" | 41.8 | 26.3 | Blue |
| 12017206048 | 3/8" | 1/4" | 48.3 | 30.8 | |
| 12017208068 | 1/2" | 3/8" | 62.0 | 40.0 | |
| 12017202048 | 1/8" | 1/4" | 42.7 | 25.5 | |
| 12017204068 | 1/4" | 3/8" | 48.5 | 31.0 | |
| 12017206088 | 3/8" | 1/2" | 62.0 | 38.2 | |

Note: Packing 25 unit

NPT Pipe Reducing Run T

| Cat. No. | M (NPT) | M1 (NPT) | L mm | L1 mm | Color |
|-------------|---------|----------|------|-------|-------|
| 12027204023 | 1/4" | 1/8" | 41.8 | 26.3 | Grey |

Note: Packing 25 unit



QUICK RELEASE

The special quick connector offers a fast and reliable push-to-connect mechanism. The outer sleeve locks the plug into the socket.

When the plug is disconnected, the socket acts as a shut-off valve.

A variety of plugs can be connected and used, suitable for hydraulic or pneumatic systems.



P. 85



P. 85



P. 85



P. 85



Working pressure
Up to 14 BAR
(200 psi) at 20 °C



Temperature
4 °C - 90 °C
(subject to application)

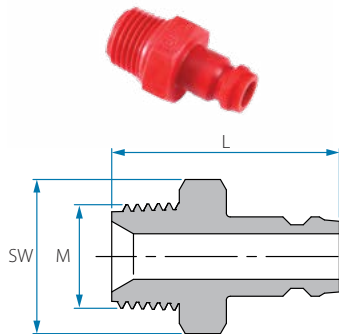
| part | material |
|----------------|-----------------|
| Body | Nylon 6-6 |
| Internal parts | Acetal |
| Spring + Ball | Stainless Steel |



Quick Release Socket

| Cat. No. | F (BSPT) | L mm | SW | O-ring | Color |
|-------------|----------|------|----|--------|---|
| 22080004000 | 1/4" | 44.0 | 19 | NBR | <input checked="" type="checkbox"/> Red |
| 22081104002 | 1/4" | 44.0 | 19 | EPDM | <input type="checkbox"/> White |
| 22080004001 | 1/4" | 44.0 | 19 | EPDM | <input type="checkbox"/> White |

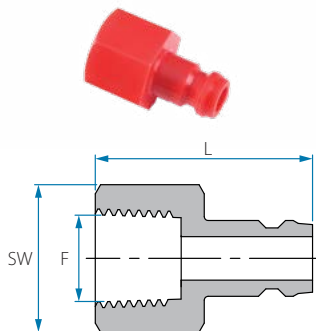
Acetal



Plug - External Thread

| Cat. No. | M (BSPT) | L mm | SW | Color |
|-------------|----------|------|----|---|
| 12081404006 | 1/4" | 31.2 | 17 | <input checked="" type="checkbox"/> Red |

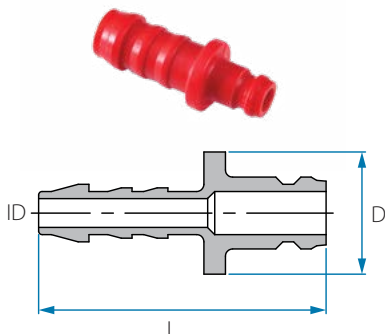
Note: Packing 25 unit



Plug - Internal Thread

| Cat. No. | F (BSPT) | L mm | SW | Color |
|-------------|----------|------|----|---|
| 12081504006 | 1/4" | 28.6 | 17 | <input checked="" type="checkbox"/> Red |

Note: Packing 25 unit



Plug - Hose Connector

| Cat. No. | Tube ID mm | L mm | D | Color |
|-------------|------------|------|------|---|
| 12081645006 | 5 | 37.8 | 16.7 | <input checked="" type="checkbox"/> Red |
| 12081646006 | 6 | 39.8 | 16.7 | |
| 12081648006 | 8 | 43.2 | 16.8 | |
| 12081650006 | 10 | 43.2 | 16.8 | |
| 12081652006 | 12 | 43.2 | 16.8 | |

Note: Packing 25 unit

UNIQUE SOLUTIONS



P. 87



P. 87



P. 88



P. 88



P. 88



P. 88



P. 89



P. 89



P. 90



P. 90



P. 90



P. 91



P. 91



P. 91

Fittings' dimensions refer to tube ID or OD, with respect to the common application.

The Tefen snap clips are the simple and fast solution for securing flexible hoses and tubes on any barb fittings.

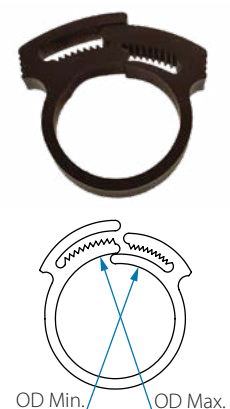
How to use:

Insert the snap clip onto the tube on place, and give it a manual press to ensure snug joint. Use a plier for final tightening.

How to release:

Apply lateral pressure to unlock it. Main advantages: Strong, Durable, Reusable, reasonable price.

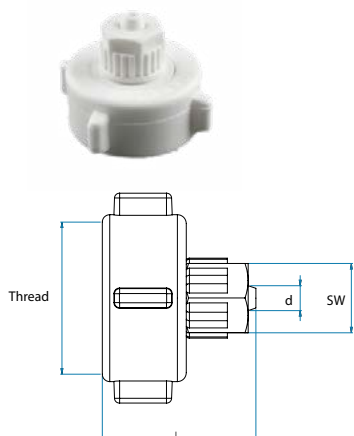
Acetal



Snap Clip

| Cat. No. | Tube OD min - max | Color |
|-------------|-------------------|---------|
| 17090010002 | 8-10 | ■ Black |
| 17090012002 | 10-12 | |
| 17090013002 | 11-13 | |
| 17090015002 | 13-15 | |
| 17090016002 | 14-16 | |
| 17090017002 | 15-17 | |
| 17090018002 | 16-18 | |
| 17090019002 | 17-19 | |
| 17090020002 | 18-20 | |
| 17090021002 | 20-22 | |
| 17090023002 | 21-23 | |
| 17090025002 | 23-25 | |
| 17090028002 | 26-28 | |
| 17090049002 | 47-49 | |

* Only RoHS



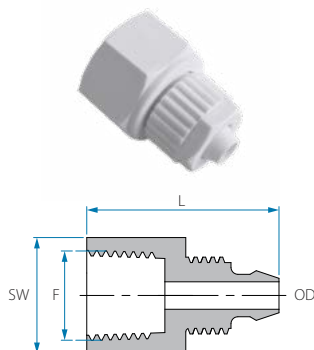
BSP Female Union Record Connector

| Cat. No. | Tube OD | Fits for BSP (inch) | Tube ID | Color |
|-------------|---------|---------------------|---------|---------|
| 22044704121 | 1/4" | 3/4" | 6 | □ White |
| 22044746121 | 6 mm | 3/4" | 6 | |
| 22044648121 | 8 mm | 3/4" | 6 | |
| 22044750121 | 10 mm | 3/4" | 6 | |
| 22044752121 | 12 mm | 3/4" | 6 | |

Note: POLYPROPYLENE
Product is sold without flat seal (can be ordered separately)

Fittings Products

Unique Solutions



BSPT Female Union Connector

| Cat. No. | Tube OD mm | Thread BSPT inch | Tube ID | SW | SWI | Color |
|-------------|------------|------------------|---------|----|-----|--------------------------------|
| 22044746061 | 6 | 3/8" | 6.2 | 14 | 20 | |
| 22044746081 | 6 | 1/2" | 6.2 | 14 | 24 | |
| 22044748061 | 8 | 3/8" | 6.2 | 14 | 20 | <input type="checkbox"/> White |
| 22044748081 | 8 | 1/2" | 6.2 | 14 | 24 | |
| 22044750081 | 10 | 1/2" | 6.2 | 14 | 24 | |

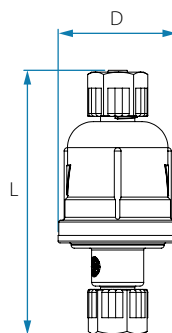
Note: POLYPROPYLENE



BSPT Female Elbow Record Connector

| Cat. No. | Tube OD mm | Fits for BSP | L mm | L1 mm | Material | Color |
|-------------|------------|--------------|------|-------|----------|--------------------------------|
| 22044548121 | 8 | 3/4" | 40.0 | 42.5 | PP | <input type="checkbox"/> White |
| 224547E8121 | 8 | 3/4" | 40.0 | 42.5 | Acetal | |

Note: Product is sold without flat seal (can be ordered separately)



Water Pre Filter

| Cat. No. | Filter Micron | Maximum flow rate L/M | Maximum flow rate G/M | Hose connector inlet/outlet (inch) | Anti scale substance | Check valve | Diameter mm (inch) | Length mm (inch) | Color |
|-------------|---------------|-----------------------|-----------------------|------------------------------------|----------------------|-------------|--------------------|------------------|--|
| 22046709101 | 100 | 8 | 2.11 | 8 mm (5/16") | - | - | 32 (1 1/4") | 71.7 (2 13/16") | <input type="checkbox"/> White |
| 22046709501 | 100 | 8 | 2.11 | 10 mm (3/8") | - | - | 32 (1 1/4") | 78 (3 1/16") | <input type="checkbox"/> White |
| 220467T9008 | 100 | 8 | 2.11 | 8 mm (5/16") | ✓ | ✓ | 32 (1 1/4") | 71.7 (2 13/16") | <input checked="" type="checkbox"/> Blue |

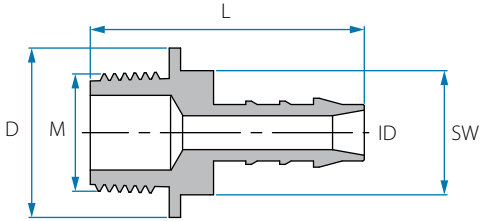
Note: Body and Cover - Acetal



Flange Mounting Male Hose Connector

| Cat. No. | Tube ID mm | M (BSPT) | L mm | D mm | SW | Color |
|-------------|------------|----------|------|------|----|-------|
| 12F46850088 | 10 | 1/2" | 49.3 | 30.0 | 22 | Blue |

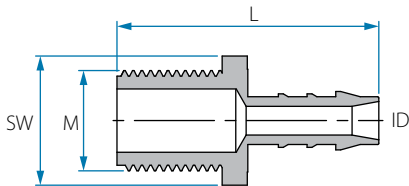
Note: Packing 25 unit



Special Panel Male Hose Connector

| Cat. No. | Tube ID mm | M (BSP) | L mm | SW | Color |
|-------------|------------|---------|------|----|-------|
| 12P46850088 | 10 | 1/2" | 53.4 | 27 | Blue |

Note: Packing 25 unit



Fittings Products

Unique Solutions

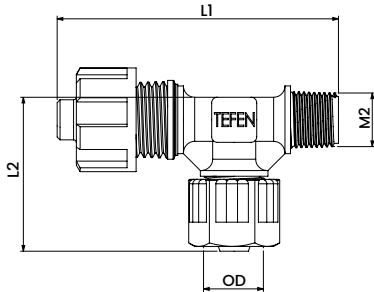


Working pressure
Up to 10 BAR
(145 psi) at 20 °C



Temperature
4 °C - 50 °C
(subject to application)

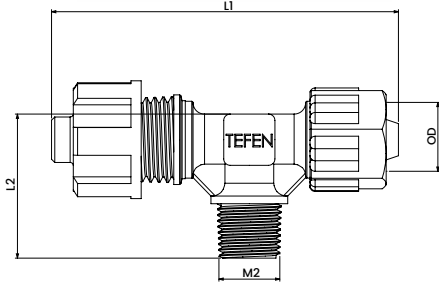
| part | material |
|--------|-----------|
| Body | PP |
| Socket | Nylon 6-6 |
| Rubber | EPDM |



Pressure Check Socket

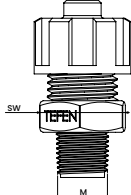
| Cat. No. | L1 mm | L2 mm | OD mm | M2 (BSPT) |
|-------------|-------|-------|-------|-----------|
| 22M47502042 | 50 | 27.5 | 8 | 1/8" |

REACH & RoHS on request



| Cat. No. | L1 mm | L2 mm | OD mm | M2 (BSPT) |
|-------------|-------|-------|-------|-----------|
| 22M47802048 | 54 | 22.5 | 8 | 1/8" |

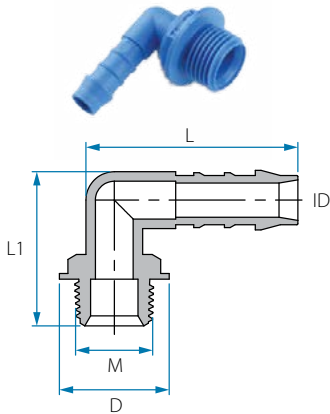
REACH & RoHS on request



| Cat. No. | SW | M (BSPT) |
|-------------|----|----------|
| 22016204022 | 15 | 1/8" |
| 22016204042 | 15 | 1/4" |
| 22016204062 | 22 | 3/8" |
| 22016204082 | 22 | 1/2" |

REACH & RoHS on request

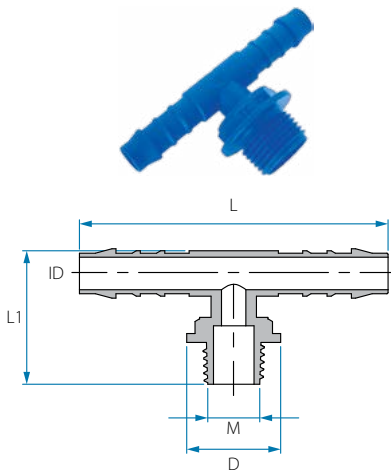
Fittings' dimensions refer to tube ID or OD, with respect to the common application.



BSPT Male Elbow Hose Connector - Flange

| Cat. No. | Tube ID mm | M (BSPT) | L mm | L1 mm | D mm | Color |
|-------------|------------|----------|------|-------|------|-------|
| 12F46950068 | 10 | 3/8" | 45.7 | 34.7 | 23.5 | Blue |
| 12F46950088 | 10 | 1/2" | 45.5 | 38.9 | 30.0 | |

Note: Packing 25 unit



BSPT Flange Branch T Hose Connector

| Cat. No. | Tube ID mm | M (BSPT) | L mm | L1 mm | D mm | Color |
|-------------|------------|----------|------|-------|------|-------|
| 12F47150068 | 10 | 3/8" | 79.0 | 34.5 | 23.5 | Blue |
| 12F47150088 | 10 | 1/2" | 78.9 | 39.2 | 30.0 | |

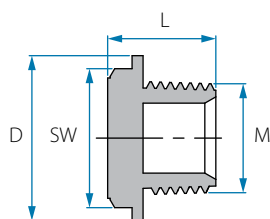
Note: Packing 25 unit



BSPT Hex Threaded Flange Plug

| Cat. No. | M (BSPT) | L mm | SW | D mm | Color |
|-------------|----------|------|----|------|-------|
| 12012108L08 | 1/2" | 21.9 | 22 | 29.9 | Blue |

Note: Packing 25 unit



Custom Made Threaded Plug

| Cat. No. | M (NPT) | L mm | SW | Color |
|-------------|---------|------|----|-------|
| 12S22108003 | 1/2" | 25.3 | 22 | Grey |

Note: Packing 25 unit

Custom Made Reducing Coupling

| Cat. No. | F (NPT) | F1 (BSPT) | L mm | SW | Color |
|-------------|---------|-----------|------|----|-------|
| 12011908063 | 1/2" | 3/8" | 27.7 | 27 | Grey |

Note: Packing 25 unit

TUBES



See specifics
in following tables



P. 93



P. 94



P. 95



P. 95

LDPE

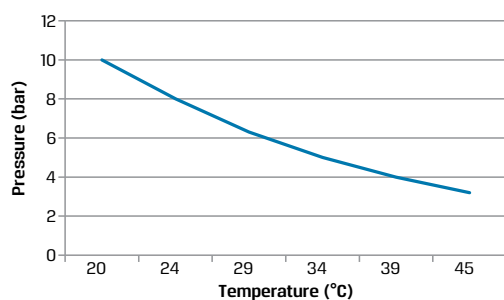


LDPE Control Tube

| Product code | Tube OD mm | Tube ID mm | Min Bend Radius | Roll Length | Burst Pressure | Available colors |
|--------------|------------|------------|-----------------|-------------|----------------|--|
| 1403004601X | 6 | 4 | 1" | 100 m | 32 bars | White, Black, Red, Green, Blue, Yellow |
| 1403004620X | 6 | 4 | 1" | 200 m | 32 bars | White, Black, Red, Green, Blue, Yellow |
| 1403004650X | 6 | 4 | 1" | 500 m | 32 bars | White, Black, Red, Blue |
| 1403004810X | 8 | 5.6 | 1.5" | 100 m | 32 bars | White, Black, Red, Green, Blue, Yellow |
| 1403004820X | 8 | 5.6 | 1.5" | 200 m | 32 bars | White, Black, Red, Green, Blue, Yellow |
| 1403004850X | 8 | 5.6 | 1.5" | 500 m | 32 bars | White, Black, Red, Green, Blue, Yellow |

* 2 stripes - default

* 1 or 3 stripes - optional



LDPE Color coding

LDPE tubes: X stands for the color of the tube.

- 1 White
- 2 Black
- 6 Red
- 7 Green
- 8 Blue
- 9 Yellow

* If not in stock, min. quantity 5,000 m.

Flow Products

Tubes

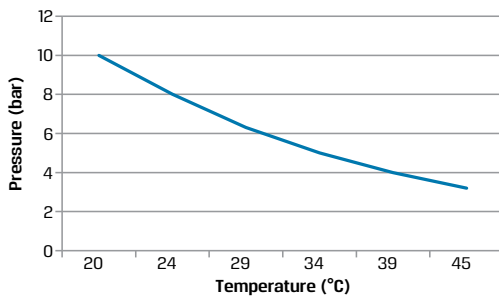
LDPE



LDPE Tube

| Product code | Tube OD mm | Tube ID mm | Min Bend Radius | Roll Length | Burst Pressure | Available colors |
|--------------|------------|------------|-----------------|-------------|----------------|------------------|
| 1403004410X | 4 | 2.2 | 12 | 100 m | 34 bars | ☐ ■ ● ● ● ● |
| 1403004610X | 6 | 4 | 25 | 100 m | 34 bars | ☐ ■ ● ● ● ● |
| 1403004810X | 8 | 5.3 | 35 | 100 m | 32 bars | ☐ ■ ● ● ● ● |
| 1403005010X | 10 | 7 | 50 | 100 m | 28 bars | ☐ ■ ● ● ● ● |
| 1403005210X | 12 | 9 | 75 | 100 m | 28 bars | ☐ ■ ● ● ● ● |

| Product code | Tube OD mm | Tube ID mm | Min Bend Radius | Roll Length | Burst Pressure | Available colors |
|---------------|------------|------------|-----------------|-------------|----------------|------------------|
| 1403000310X | 3/16" | 0.117" | 1/2" | 100 m | 34 bars | ☐ ■ |
| 1403000410X | 1/4" | 0.170" | 1" | 100 m | 32 bars | ☐ ■ ● ● ● |
| **14030004111 | 1/4" | 0.170" | 1" | 100 m | 32 bars | ☐ |
| 1403000510X | 5/16" | 0.212" | 1 1/2" | 100 m | 32 bars | ☐ ■ ● ● ● ● |
| 1403000610X | 3/8" | 0.256" | 2" | 100 m | 28 bars | ☐ ■ ● ● ● ● |
| 1403000810X | 1/2" | 9 | 75 | 100 m | 28 bars | ☐ ■ ● ● ● ● |



* If not in stock, min. quantity 20,000 m.

LDPE Color coding

tubes: X stands for the color of the tube.

- 1 ☐ Semi Transparent 
- 2 ■ Black 
- 6 ● Red
- 7 ● Green
- 8 ● Blue
- 9 ● Yellow
- ** ☐ External White, Internal Black 

PVC

Plasticized PVC Tube

| Product code | Tube OD mm | Tube ID mm | Roll Length |
|--------------|------------|------------|-------------|
| 1407000510X | 5 | 3 | 100 m |
| 1407000520X | 5 | 3 | 200 m |
| 1407000550X | 5 | 3 | 500 m |
| 1407006510X | 6.5 | 4 | 100 m |
| 1407006520X | 6.5 | 4 | 200 m |
| 1407000710X | 7 | 4 | 100 m |
| 1407000720X | 7 | 4 | 200 m |
| 1407000750X | 7 | 4 | 500 m |
| *14070010102 | 10 | 7 | 100 m |
| 1407001210X | 12 | 7 | 100 m |
| 1407001310X | 13 | 9 | 100 m |
| 1407001610X | 16 | 11 | 100 m |

* Available only in black



PVC Color coding

PVC tubes: X stands for the color of the tube.

- 2  Black
- 3  Brown

VALVES

Tefen's valves are suitable for various applications. They are resistant to high pressure and chemicals, work in a wide range of temperatures, improved grinding and discrepancies. They are designed for flexibility, efficiency and reliability.



P. 97



P. 97



P. 97



P. 97



P. 97



P. 97



P. 98



P. 98



P. 99



P. 99



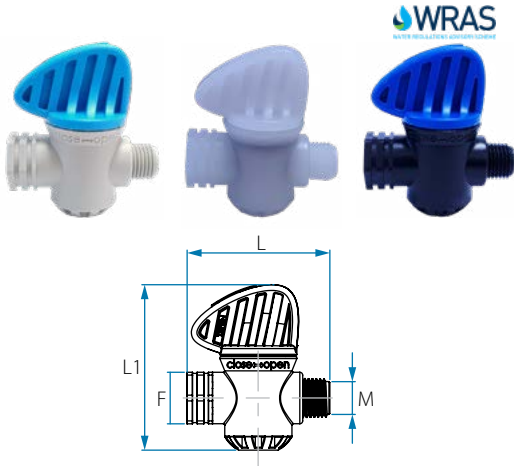
Working pressure

PP - up to 10 BAR
(145.04 PSI) at 20 °C
Acetal & PVDF - up to 16 BAR
(232.06 PSI) at 20 °C



Temperature

PP - (-5) °C - 60 °C
(subject to application)
Acetal & PVDF - (-20) °C - 90 °C
(subject to application)



Dual Tech Valve

| Cat. No. | M (BSPT) | F (BSPT) | L mm | L1 mm | Material | Color |
|-------------|----------|----------|------|-------|----------|-------|
| 23002404042 | 1/4" | 1/4" | 51.2 | 57.6 | Acetal | Black |
| 23002504043 | 1/4" | 1/4" | 51.7 | 58.8 | PP | Grey |
| 23002904041 | 1/4" | 1/4" | 51.8 | 59.0 | PVDF | White |

Note: All configurations (8 mm barb / 1/4" thread) available on demand



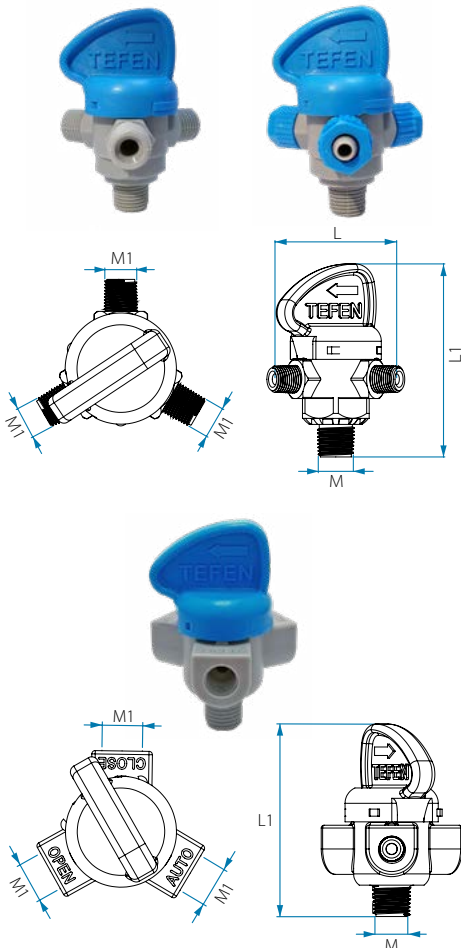
Working pressure

Up to 10 BAR
(145.04 psi) at 20 °C



Temperature

(-5) °C - 60 °C
(subject to application)



Quatro Tech Valve

| Cat. No. | M (BSPT) | M1 | L mm | L1 mm | Color |
|---------------|----------|-----------|------|-------|-------|
| 23003403033 | 1/4" | 1/8" BSPT | 49.7 | 68.3 | Grey |
| 23003404043 | 1/4" | 1/4" BSPT | 52.0 | 68.3 | |
| 23003408083 | 1/4" | 8 mm | 55.5 | 68.3 | |
| **23003402483 | 1/4" | ** | 51.7 | 58.8 | |

Note: All configurations (8 mm barb / 1/4" / 1/8" thread) available on demand
** 8 mm barb connection

| Cat. No. | M | M1 (NPT) Female | L1 mm | Color |
|-------------|-----------|-----------------|-------|-----------|
| 23003405053 | 1/4" BSPT | 1/8" | 68 | Grey |
| 23003406053 | 1/4" NPT | 1/8" | 68 | Dark Grey |

Flow Products

Valves

Reinforces
Polypropylene



Working pressure
Up to 8 BAR
(116.03 psi) at 20 °C

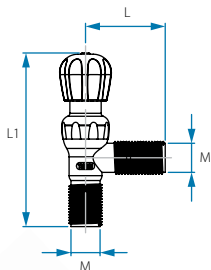


Temperature
-4 °C -90 °C
(subject to application)



Fine Flow Needle Valve

| Cat. No. | M (BSPP) | L mm | L1 mm | Handle Color | Flow Range (l/h) | Seals |
|-------------|----------|------|---------|--------------|------------------|-------|
| 22272908011 | 1/2" | 50.0 | 108-122 | Orange | 10-100 | Viton |



Working pressure
Up to 16 BAR
(232.06 psi) at 20 °C

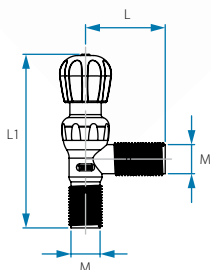


Temperature
-4 °C -90 °C
(subject to application)



High Flow Needle Valve

| Cat. No. | M (BSPP) | L mm | L1 mm | Handle Color | Flow Range (l/h) | Seals |
|-------------|----------|------|---------|--------------|------------------|-------|
| 22272908111 | 1/2" | 50.0 | 108-122 | Grey | 100-1000 | EPDM |

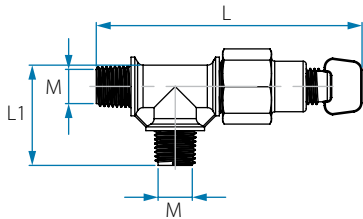




Needle Valve

| Cat. No. | M (BSPT) | M1 (BSPT) | L mm | L1 mm | Color |
|-------------|----------|-----------|-----------|-------|--------------------------------|
| 22272904011 | 1/4" | 1/4" | 74.4-87.2 | 31.8 | <input type="checkbox"/> White |

Note: Material: Acetal



Working pressure
up to 16 bar (232.06 PSI)
at 20°C



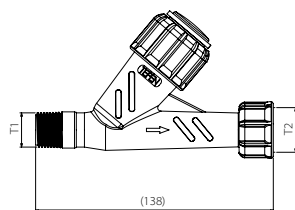
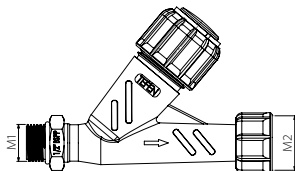
Temperature
0 °C - 60 °C
(subject to application)



Line Check Valve

| Cat. No. | M2 | Male/ Female | M1 | Male/ Female | Seals |
|-------------|-----------|-----------------|-----------|-----------------|-------|
| 23441108122 | 1/2" BSPT | Male* | 3/4" BSPP | Female | VITON |
| 23444008122 | 1/2" BSPT | Male | 3/4" BSPP | Female | EPDM |
| 23444012122 | 3/4" BSPT | Female | 3/4" BSPP | Female | EPDM |
| 23444016122 | 1" BSPT | Female | 3/4" BSPP | Female | EPDM |
| 23444108122 | 1/2" BSPT | Male | 3/4" BSPP | Female | VITON |
| 23444115122 | 3/4" BSPT | Female | 3/4" BSPP | Female | VITON |
| 23444116122 | 1" BSPT | Female | 3/4" BSPP | Female | VITON |

*



Spraying & Fogging Nozzles

Tefen spray and fogging nozzles are designed for various applications.

They are ideal for adding humidity and cooling for livestock applications, vegetable and industrial refrigerators

- Fan Nozzles: straight wetting pattern.
- Connection: Flange configuration.
- Conical spray nozzles: round hollow wetting pattern.
- Connection: Flange configuration.
- Conical spray nozzle with 1/8" NPT male thread: give a round hollow wetting pattern.
- Non Drip nozzle: allow to hold the fluid pressure at 0.3 [bar] for fast and short operation and prevent fluid dripping.
- Finger filter: will give extra protection for each nozzle small articles in the system to prevent clogging.
- Adjustable nozzle: design for domestic use, fits with Tefen spray guns.
- Nozzle filter: designed to fit Tefen nozzle holders. Filter screen= 100 mesh/ /140 micron.
- Misting unit: Designed with 2 adjustable arms, to hold 2 flange nozzles specially designed for vitrine fruit & vegetables supermarket refrigerators.
- 1/8" short finger filter: Designed for small hydraulic loops on agriculture and industrial application. Filter screen= 100 mesh/ /149 micron.
- 1/4" long finger filter: designed for an integral filtration of hydraulic control valves. Filter screen= 100 mesh/ /149 micron.



P. 101



P. 101



P. 102



P. 102



P. 103



P. 103



P. 104



P. 104



P. 105



P. 105



P. 105



P. 105



P. 105



P. 106



P. 106



P. 106



P. 106



P. 106



P. 106



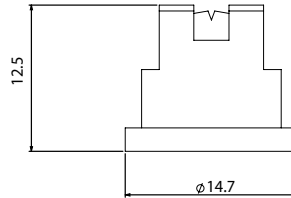
P. 106



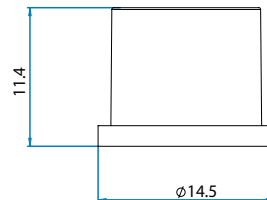
P. 106

Acetal

Fan Spray Nozzle



| Product code | Marking | α Angle | Lit per Min Bar 2 | Lit per Min Bar 3 | Lit per Min Bar 4 | Lit per Min Bar 6 | Lit per Min Bar 8 | Lit per Min Bar 10 | Color |
|--------------|---------|----------------|-------------------|-------------------|-------------------|-------------------|-------------------|--------------------|--------|
| 12210165051 | 65 005 | 65 ° | 0.38 | 0.47 | 0.53 | 0.66 | 0.753 | 0.847 | White |
| 12210165052 | 65 005 | 65 ° | 0.38 | 0.47 | 0.53 | 0.66 | 0.753 | 0.847 | Black |
| 12210110057 | 110 005 | 110 ° | 0.296 | 0.362 | 0.417 | 0.513 | 0.585 | 0.658 | Green |
| 12210110209 | 110 02 | 110 ° | 1.20 | 1.45 | 1.70 | 2.00 | 2.267 | 2.533 | Yellow |
| 12210110255 | 110 025 | 110 ° | 0.623 | 0.780 | 0.899 | 1.106 | 1.267 | 1.428 | Creme |
| 12210110308 | 110 03 | 110 ° | 1.167 | 1.432 | 1.649 | 2.039 | 2.330 | 2.620 | Blue |
| 12210110406 | 110 04 | 110 ° | 1.434 | 1.760 | 2.032 | 2.501 | 2.857 | 3.212 | Red |
| 12210110503 | 110 05 | 110 ° | 1.627 | 2.027 | 2.350 | 2.893 | 3.315 | 3.737 | Brown |

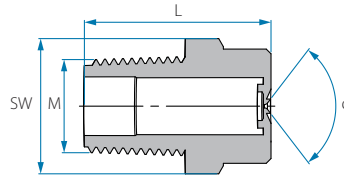


Conical Spray Nozzle

| Product code | Marking | α Angle | Lit per Min Bar 2 | Lit per Min Bar 3 | Lit per Min Bar 4 | Lit per Min Bar 6 | Lit per Min Bar 8 | Lit per Min Bar 10 | Color |
|--------------|---------|----------------|-------------------|-------------------|-------------------|-------------------|-------------------|--------------------|-----------|
| 22210016502 | 1 65 | 65 ° | 0.061 | 0.074 | 0.084 | 0.098 | 0.110 | 0.123 | Black |
| 22210018001 | 1 80 | 80 ° | 0.063 | 0.078 | 0.092 | 0.117 | 0.135 | 0.153 | White |
| 22210018002 | 1 80 | 80 ° | 0.063 | 0.078 | 0.092 | 0.117 | 0.135 | 0.153 | Black |
| 22210018011 | 1 80F | 80 ° | 0.035 | 0.042 | 0.049 | 0.059 | 0.067 | 0.075 | Off White |
| 22210018012 | 1 80F | 80 ° | 0.035 | 0.042 | 0.049 | 0.059 | 0.067 | 0.075 | Black |
| 22210028006 | 3 80 | 80 ° | 0.350 | 0.430 | 0.520 | 0.630 | 0.723 | 0.817 | Red |
| 22210011055 | 1 105 | 105 ° | 0.058 | 0.068 | 0.078 | 0.098 | 0.111 | 0.125 | Creme |
| 22210011057 | 1 105 | 105 ° | 0.058 | 0.068 | 0.078 | 0.098 | 0.111 | 0.125 | Green |

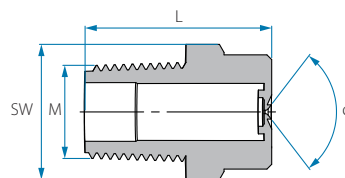
Flow Products

Spraying & Fogging Nozzles



Conical Spray Nozzle M 1/8" NPT

| Product code | Marking | α Angle | L mm | SW | Lit per Min Bar 2 | Lit per Min Bar 3 | Lit per Min Bar 4 | Lit per Min Bar 6 | Lit per Min Bar 8 | Lit per Min Bar 10 | Color |
|--------------|---------|----------------|------|----|-------------------|-------------------|-------------------|-------------------|-------------------|--------------------|-------|
| 22210218008 | 21 80 | 80 ° | 20 | 13 | 0.060 | 0.070 | 0.080 | 0.093 | 0.104 | 0.115 | Blue |
| 22210078001 | 07 80 | 80 ° | 20.3 | 13 | 0.043 | 0.053 | 0.060 | 0.069 | 0.078 | 0.086 | White |
| 22210078002 | 07 80 | 80 ° | 20.3 | 13 | 0.043 | 0.053 | 0.060 | 0.069 | 0.078 | 0.086 | Black |
| 22210078003 | 07 80 | 80 ° | 20.3 | 13 | 0.043 | 0.053 | 0.060 | 0.069 | 0.078 | 0.086 | Grey |
| 22210078006 | 07 80F | 80 ° | 19.8 | 13 | 0.038 | 0.047 | 0.054 | 0.064 | 0.073 | 0.081 | Red |
| 22210078011 | 07 80F | 80 ° | 19.8 | 13 | 0.038 | 0.047 | 0.054 | 0.064 | 0.073 | 0.081 | White |
| 22210078012 | 07 80F | 80 ° | 19.8 | 13 | 0.038 | 0.047 | 0.054 | 0.064 | 0.073 | 0.081 | Black |
| 22210211055 | 21 105 | 105 ° | 20.5 | 13 | 0.063 | 0.075 | 0.086 | 0.108 | 0.123 | 0.138 | Creme |
| 22210311055 | 31 105 | 105 ° | 20.5 | 13 | 0.084 | 0.096 | 0.118 | 0.120 | 0.128 | 0.139 | Creme |
| 22210221202 | 22 120 | 120 ° | 20.4 | 13 | 0.108 | 0.132 | 0.152 | 0.190 | 0.217 | 0.245 | Black |
| 22210221207 | 22 120F | 120 ° | 20.4 | 13 | 0.083 | 0.099 | 0.113 | 0.142 | 0.161 | 0.183 | Green |
| 22212201458 | 220 145 | 145 ° | 20.0 | 13 | 0.171 | 0.207 | 0.240 | 0.280 | 0.327 | 0.368 | Blue |



Non Drip Conical Spray Nozzle M 1/8" NPT

| Product code | Marking | α Angle | L mm | SW | Lit per Min Bar 3 | Lit per Min Bar 4 | Lit per Min Bar 6 | Lit per Min Bar 8 | Lit per Min Bar 10 | Color |
|--------------|---------|----------------|------|----|-------------------|-------------------|-------------------|-------------------|--------------------|-------|
| 22211218008 | 21 80 | 80 ° | 20 | 13 | 0.06 | 0.074 | 0.092 | 0.108 | 0.124 | Blue |
| 22211078001 | 07 80 | 80 ° | 20.3 | 13 | 0.046 | 0.053 | 0.069 | 0.081 | 0.092 | White |
| 22211078002 | 07 80 | 80 ° | 20.3 | 13 | 0.046 | 0.053 | 0.069 | 0.081 | 0.092 | Black |
| 22211078003 | 07 80 | 80 ° | 20.3 | 13 | 0.046 | 0.053 | 0.069 | 0.081 | 0.092 | Grey |
| 22211078006 | 07 80F | 80 ° | 19.8 | 13 | 0.040 | 0.048 | 0.062 | 0.073 | 0.084 | Red |
| 22211078011 | 07 80F | 80 ° | 19.8 | 13 | 0.040 | 0.048 | 0.062 | 0.073 | 0.084 | White |
| 22211078012 | 07 80F | 80 ° | 19.8 | 13 | 0.040 | 0.048 | 0.062 | 0.073 | 0.084 | Black |
| 22211211055 | 21 105 | 105 ° | 20.5 | 13 | 0.072 | 0.084 | 0.106 | 0.123 | 0.140 | Creme |
| 22211211052 | 21 105 | 105 ° | 20.5 | 13 | 0.072 | 0.084 | 0.106 | 0.123 | 0.140 | Black |
| 22211221202 | 22 120 | 120 ° | 20.4 | 13 | 0.120 | 0.142 | 0.182 | 0.213 | 0.244 | Black |
| 22211221207 | 22 120F | 120 ° | 20.4 | 13 | 0.099 | 0.113 | 0.142 | 0.161 | 0.183 | Green |
| 22212211458 | 220 145 | 145 ° | 20.0 | 13 | 0.168 | 0.205 | 0.257 | 0.313 | 0.360 | Blue |

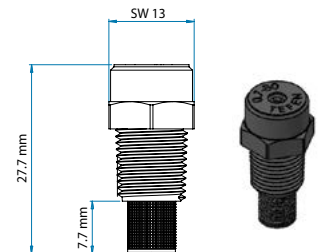
* Opening pressure ~0.5 bar

Conical Spray Nozzle 1/8" NPT with Filter



| Product code | Marking | Thread Size | α Angle | L mm | Lit per Min Bar 2 | Lit per Min Bar 3 | Lit per Min Bar 4 | Lit per Min Bar 6 | Lit per Min Bar 8 | Lit per Min Bar 10 | Color |
|--------------|---------|-------------|---------|------|-------------------|-------------------|-------------------|-------------------|-------------------|--------------------|-------|
| 22219218008 | 21 80 | 1/8" | 80 ° | 15 | 0.060 | 0.070 | 0.080 | 0.093 | 0.104 | 0.115 | Blue |
| 22219078001 | 07 80 | 1/8" | 80 ° | 15 | 0.041 | 0.05 | 0.057 | 0.066 | 0.074 | 0.083 | White |
| 22219078002 | 07 80 | 1/8" | 80 ° | 15 | 0.041 | 0.05 | 0.057 | 0.066 | 0.074 | 0.083 | Black |
| 22219078003 | 07 80 | 1/8" | 80 ° | 15 | 0.043 | 0.053 | 0.060 | 0.069 | 0.078 | 0.086 | Grey |
| 22219078006 | 07 80F | 1/8" | 80 ° | 15 | 0.040 | 0.046 | 0.053 | 0.061 | 0.068 | 0.075 | Red |
| 22219078012 | 07 80F | 1/8" | 80 ° | 15 | 0.040 | 0.046 | 0.053 | 0.061 | 0.068 | 0.075 | Black |
| 22219211055 | 21 105 | 1/8" | 105 ° | 15 | 0.060 | 0.070 | 0.080 | 0.093 | 0.104 | 0.115 | Creme |
| 22219311055 | 31 105 | 1/8" | 105 ° | 15 | 0.080 | 0.090 | 0.102 | 0.110 | 0.116 | 0.125 | Creme |
| 22219221202 | 22 120 | 1/8" | 120 ° | 15 | 0.103 | 0.124 | 0.149 | 0.171 | 0.194 | 0.216 | Black |

* Filtration 140 Micron



Non Drip Conical Spray Nozzle 1/8" NPT with short Filter

| Product code | Marking | Thread Size | α Angle | Lit per Min Bar 2 | Lit per Min Bar 3 | Lit per Min Bar 4 | Lit per Min Bar 6 | Lit per Min Bar 8 | Lit per Min Bar 10 | Color |
|---------------|---------|-------------|---------|-------------------|-------------------|-------------------|-------------------|-------------------|--------------------|-------|
| **22212218038 | 21 80 | 1/8" | 80 ° | 0.06 | 0.07 | 0.08 | 0.093 | 0.104 | 0.115 | Blue |
| 22215218008 | 21 80 | 1/8" | 80 ° | 0.06 | 0.07 | 0.08 | 0.093 | 0.104 | 0.115 | Blue |
| 22211078031 | 07 80 | 1/8" | 80 ° | 0.041 | 0.05 | 0.057 | 0.066 | 0.074 | 0.083 | White |
| 22211078033 | 07 80 | 1/8" | 80 ° | 0.041 | 0.05 | 0.057 | 0.066 | 0.074 | 0.083 | Grey |
| 22215078006 | 07 80F | 1/8" | 80 ° | 0.103 | 0.124 | 0.149 | 0.171 | 0.194 | 0.216 | Red |
| 22215078011 | 07 80F | 1/8" | 80 ° | 0.103 | 0.124 | 0.149 | 0.171 | 0.194 | 0.216 | White |
| 22215211055 | 21 105 | 1/8" | 105 ° | 0.06 | 0.07 | 0.08 | 0.093 | 0.104 | 0.115 | Creme |
| 22215221202 | 22 120 | 1/8" | 120 ° | 0.103 | 0.124 | 0.149 | 0.171 | 0.194 | 0.216 | Black |

* Viton ball

** Filtration 140 Micron

Flow Products

Spraying & Fogging Nozzles

Acetal



Accessories for Nozzles

| Product code | Product |
|--------------|------------------------------|
| 38000000054 | PVC Protector Cap for Nozzle |

The PVC Cap protects the upper nozzle crown from external damage.



Conical spray nozzle with cap filter

| Product code | Marking | Thread Size | α Angle | Lit per Min Bar 2 | Lit per Min Bar 3 | Lit per Min Bar 4 | Lit per Min Bar 6 | Lit per Min Bar 8 | Lit per Min Bar 10 | Color |
|--------------|---------|-------------|----------------|-------------------|-------------------|-------------------|-------------------|-------------------|--------------------|-------|
| 22212078001 | 07 80 | 1/8" | 80 ° | 0.041 | 0.05 | 0.057 | 0.066 | 0.074 | 0.083 | White |
| 22212078011 | 07 80F | 1/8" | 80 ° | 0.041 | 0.05 | 0.057 | 0.066 | 0.074 | 0.083 | White |
| 22212211055 | 21 105 | 1/8" | 105 ° | 0.06 | 0.07 | 0.08 | 0.093 | 0.104 | 0.115 | Creme |
| 22212218008* | 21 80 | 1/8" | 80 ° | 0.103 | 0.124 | 0.149 | 0.171 | 0.194 | 0.216 | Blue |
| 22212221202 | 22 120 | 1/8" | 120 ° | 0.103 | 0.124 | 0.149 | 0.171 | 0.194 | 0.216 | Black |

* non-drip

** Filtration 200 Mesh



Adjustable Nozzle

| Product code | Name | Color |
|--------------|-------------------|--------------------------------|
| 2221420001 | Adjustable Nozzle | <input type="checkbox"/> White |



Nozzle Filter

| Product code | Micron | L mm | Micron | Color |
|--------------|--------|------|--------|---|
| 22212791100 | 140 | 21.1 | 120 | <input type="checkbox"/> White |
| *22212791000 | 140 | 21.1 | 120 | <input checked="" type="checkbox"/> Red |

* non drop



Push-in Fitting Adaptor for 1/8" Nozzle

| Product code | Stem D | Inner Thread | Color |
|--------------|--------|--------------|---|
| 22211502061 | 3/8" | 1/8" NPT | <input type="checkbox"/> White |
| 22211502062 | 3/8" | 1/8" NPT | <input checked="" type="checkbox"/> Black |



Misting Unit Mark 1

| Product code | R1 | R2 | SW1 | SW2 | SW3 | Color |
|--------------|------------|------|------|-----|---------|---|
| 222729T0101 | 1 1/16" NC | 1/4" | 17.5 | 16 | 17.5 mm | <input type="checkbox"/> White |
| 222729T0102 | 1 1/16" NC | 1/4" | 17.5 | 16 | 17.5 mm | <input checked="" type="checkbox"/> Black |



Valve Release / Drain Valve

| Product code | Thread BSPT | Color |
|--------------|-------------|---|
| 22273008002 | 1/2" | <input checked="" type="checkbox"/> Black |
| 22273108002 | 1/2" | |

Valve release: Valve installed vertically upwards on the highest point. Functions as Anti-Vacuum (syphon) valve (CAT. No. 22273008002).
 Drain Valve with stainless spring. Valve installed at pipe end. For automatic drainage of condensed water in compressed-air lines, after shut-off of compressed air

Flow Products

Spraying & Fogging Nozzles

Polypropylene



Finger Filter for Hydraulic Valves

| Product code | Tube ID | Length | SW | Micron | Color |
|--------------|-----------|--------|----|--------|------------|
| 22212002028 | 1/8" BSPT | 30.3 | 14 | 160 | Blue Short |
| 22212791028 | 1/8" BSPT | 43.8 | 14 | 160 | Blue Long |

| Product code | Tube ID | Tube OD | Length | SW | Micron | Color |
|---------------|----------|----------|--------|----|--------|-------|
| **22212791002 | 1/8" NPT | 1/4" NPT | 48.3 | 14 | 160 | Black |

** special design for control valves

Acetal



Nut 11/16" For Nozzle

| Product code | Type |
|--------------|------------|
| 32272900082 | 1 1/16" NC |

1/4" Female Straight Nozzle Holder

| Product code | R1 | R2 |
|--------------|------------|----------|
| 32210300042 | 1 1/16" NC | 1/4" NPT |

1/4" Male Straight Nozzle Holder

| Product code | R1 | R2 |
|--------------|------------|----------|
| 32212200042 | 1 1/16" NC | 1/4" NPT |

1/4" Female 135° Nozzle Holder Cat. No.

| Product code | R1 | R2 |
|--------------|------------|----------|
| 32210000040 | 1 1/16" NC | 1/4" NPT |

AIR BLOW GUNS

Tefen's Blow Guns are a widely used for spraying, disinfecting and machine and industrial cleaning. suitable for a wide use rang with our Fan Spray, Conical Spray and Adjustable nozzles (with flange connection).

Wide rang of input connections, lengths and tipping ends.
Internal nozzle filter- optional.



P.108



P.108



P.108



P.108



P.109



P.109



P.109



P.109



P.109

Flow Products

Air Blow Guns



Air Blow Gun

With a general purpose nozzle

| Product code | Type |
|--------------|-------------|
| 22200004022 | 1/4" female |



Air Blow Gun

With an osha regulation safety nozzle

| Product code | Type |
|--------------|-------------|
| 22200004012 | 1/4" female |



Air Blow Gun

with an air screen nozzle to deflect flying chips away from operator

| Product code | Type |
|--------------|-------------|
| 22200004032 | 1/4" female |
| 22200011062 | 1/16" male |



Air Blow Gun

with a restriction nozzle to regulate output air volume

| Product code | Type |
|--------------|-------------|
| 22200004042 | 1/4" female |



Air Blow Gun Mark II

| Product code | Nozzle Type mm |
|--------------|----------------|
| 22240000060 | 6 nozzle |



Air Blow Gun Mark III

| Product code |
|--------------|
| 22230000000 |



Spray Gun

| Product code | End connector inch |
|--------------|--------------------|
| 22210004002 | 1/4" female |
| 22210011003 | 1 1/16" male |



8 mm Nylon Retractable Coil

| Product code | Length |
|--------------|---------|
| 24050505058 | 5 feet |
| 24050505108 | 10 feet |
| 24050505158 | 15 feet |



Spray Gun - Iodine

| Product code | End connector inch |
|--------------|--------------------|
| 22210004004 | 1/4" female |