

Index Plungers • with mounting flange, horizontal

22110.0306



Product Description

Index plungers are used for indexing bores.

Material

Housing

- Zinc die-cast, plastic coated, black

Locking pin

- Stainless steel 1.4305

Pull-ring

- Stainless steel 1.4310

Assembly

Assembly by means of washers ISO 7092.

Operation

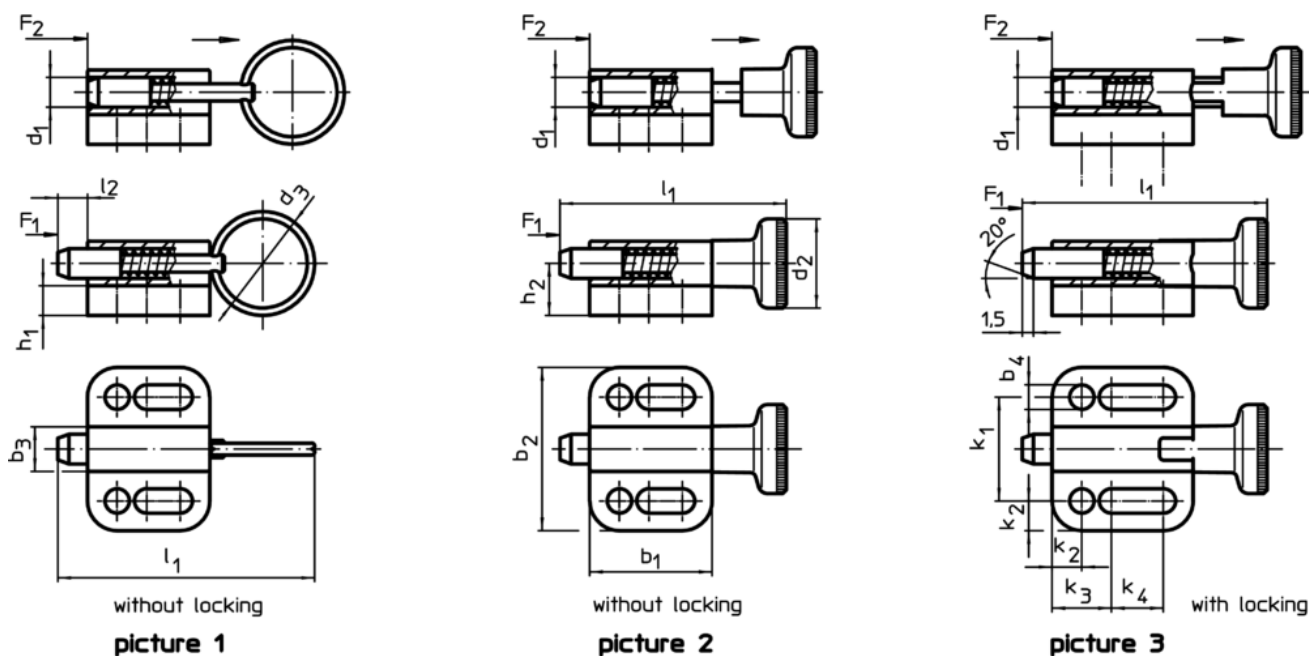
When using locking index plungers, the knob is pulled-out, turned 90° and secured by a notched catch (when locking pin should not overhang).

More information

Notes

Knob not removable.

Drawing

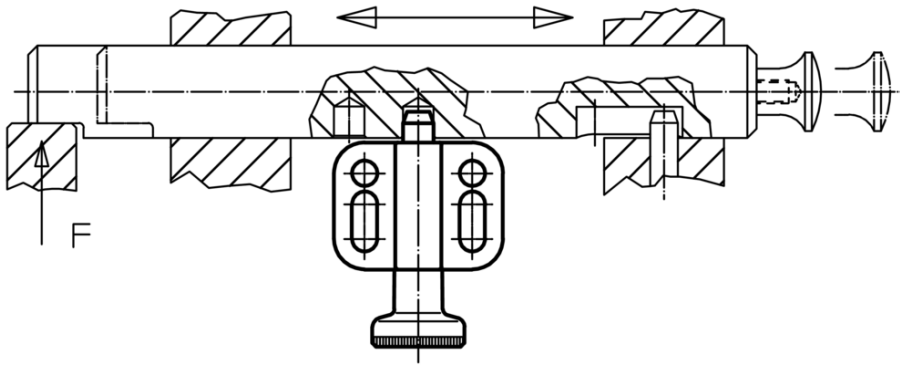


Order information

Dimensions														Spring load ¹⁾		🌡️	🏠	Art. No.	
d_1	d_3	b_1	b_2	b_3	b_4	h_1	h_2	k_1	k_2	k_3	k_4	l_1	l_2	F_1	F_2	max.			
h_{11}					-0.2			± 0.05					min.	~	~	[N]	[°C]	[g]	
with pull-ring, without locking – picture 1																			
6	24	27.5	32	10	5.4	5	10.5	21	5.5	12	10	57.5	6	5	21	100	40		22110.0306

¹⁾ statistical average value

Application example



Compliance

RoHS compliant

Compliant according to Directive 2011/65/EU and Directive 2015/863

Does not contain SVHC substances

No SVHC substances with more than 0.1% w/w contained - SVHC list [REACH] as of 10.06.2022

Does not contain Proposition 65 substances

No Proposition 65 substances included

<https://www.P65Warnings.ca.gov/>

Free from Conflict Minerals

This product does not contain any substances designated as "conflict minerals" such as tantalum, tin, gold or tungsten from the Democratic Republic of Congo or adjacent countries.