

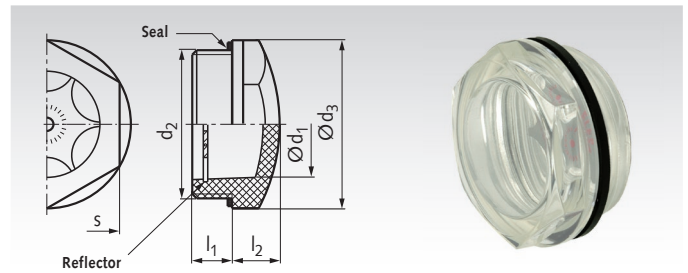
## Oil-Level Sight Glasses 541, Plastic

**Material:** Housing: Polyamid (PA-T) non-ageing, highly transparent. Reflector: Aluminium, anodized in natural colour. Seal: Rubber NBR.

Temperature resistant up to +100°C.

High strength. Resistant against oil, diesel and solvents. Not resistant against alcohol. At mounting wall thickness below 4mm, a nut is required.

Ordering Details: e.g.: Product No. 681 835 01, Oil-Level Sight Glass 541, G 1/4"



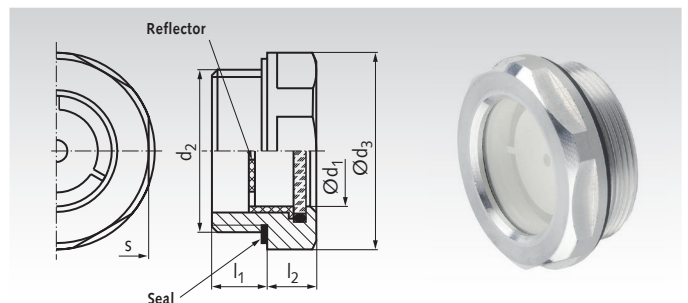
Product No.	d <sub>1</sub> mm	d <sub>2</sub> Thread	d <sub>3</sub> ≈ mm	l <sub>1</sub> mm	l <sub>2</sub> mm	s mm	T <sub>A</sub> * Nm	Weight g
681 835 01	9	G 1/4"	18	10	6	15	2 - 3	1,8
681 835 02	11	G 3/8"	22	7,5	7	19	3 - 5	4
681 835 03	11	M16 x 1,5	22	8	7	19	2 - 3	3
681 835 04	14	G 1/2"	26	10,5	8	22	4 - 6	5
681 835 05	14	M20 x 1,5	26	9,5	8	22	8 - 10	4
681 835 06	18	M25 x 1,5	31,5	8	9	27	8 - 10	9
681 835 07	18	M26 x 1,5	31,5	13	9	27	8 - 10	8
681 835 08	20	G 3/4"	31,5	10,5	9	27	6 - 8	6
681 835 09	20	M27 x 1,5	31,5	9	9	27	8 - 10	10
681 835 10	22	M30 x 1,5	35	9	10	30	8 - 10	6
681 835 11	25	G 1"	40	11	10	34	8 - 10	12
681 835 12	25	M35 x 1,5	40	11	10	34	8 - 10	13
681 835 13	30	G 1 1/4"	47,5	11,5	13	40,5	8 - 10	20
681 835 14	30	M40 x 1,5	47,5	11,5	13	40,5	8 - 10	20

\* Fastening torque.

## Oil-Level Sight Glasses 743 and 743.1, Aluminium

**Material oil-level sight glass 743:** Housing: Aluminium, polished. Reflector: Thermoplast. Temperature resistant up to 100°C. Sight glass: Float-Glass. Seals: Rubber NBR.

**Material oil-level sight glass 743.1:** as oil-level sight glass 743, but temperature resistant up to +180°C. Sight glass: tempered glass. Seals: Synthetic rubber FPM, identification by non-black finish.



Ordering Details: e.g.: Product No. 681 801 00, Oil-Level Sight Glass 743, G 3/8"

Product No. 743	Product No. 743.1	d <sub>1</sub> mm	d <sub>2</sub> Thread	d <sub>3</sub> ≈ mm	l <sub>1</sub> mm	l <sub>2</sub> mm	s mm	Weight g
681 801 00	681 821 00	11	G 3/8"	22	8	7,5	20	9
681 802 00	681 822 00	11	M16 x 1,5	22	8	7,5	20	8
681 803 00	681 823 00	14	G 1/2"	26	8,5	7,5	23	11
681 804 00	681 824 00	14	M20 x 1,5	26	8,5	7,5	23	10
681 805 00	681 825 00	18	G 3/4"	32	9	8	30	18
681 806 00	681 826 00	18	M26 x 1,5	32	9	8	30	18
681 807 00	681 827 00	24	G 1"	40	11	8,5	36	26
681 808 00	681 828 00	24	M33 x 1,5	40	11	8,5	36	26
681 809 00	681 829 00	32	G 1 1/4"	50	12	9	46	42
681 810 00	681 830 00	32	M40 x 1,5	50	12	9	46	39