



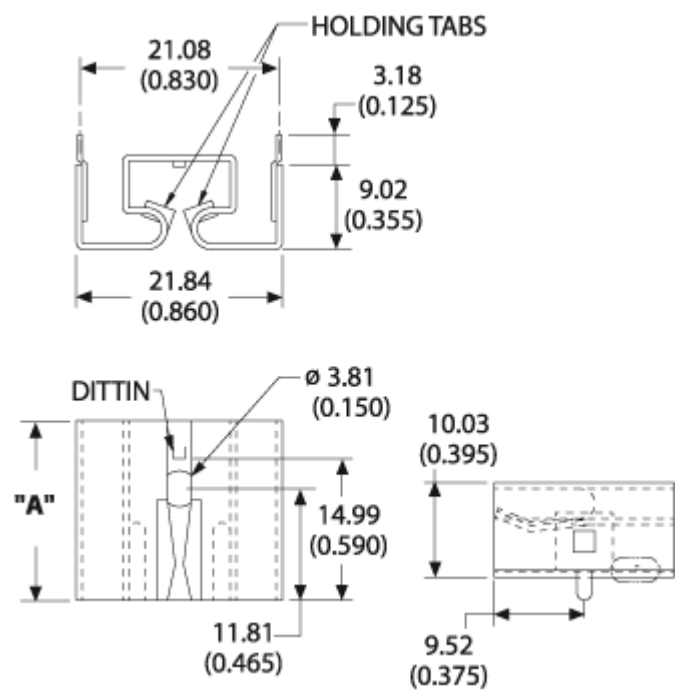
For use with TO-220 packages

Part Number - 574402B03200G

RoHS
 Compliant

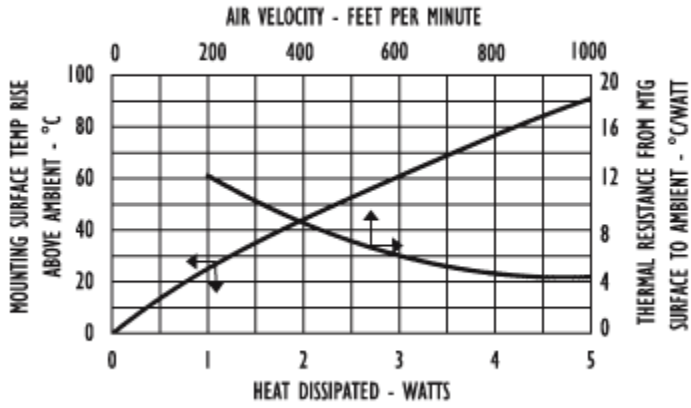


Mechanical Outline Drawing



A Dim 19.05

Thermal Curves



Thermal Resistance	23.20
--------------------	-------

Thermal resistance value is based on a 75°C rise in natural convection

Product Information

Part #	Description	Finish	Board Mounting
574402B03200G	Low cost labor saving slide on heat sink featuring spring action and solderable tabs	Black Anodize	View Hole Dimensions

This non-electronic component is functionally unaffected by the normal soldering or reflow processes used for semiconductor circuits. The heat resistance time or heat resistance temperature is not applicable for the component.