

# DC Brushless Cooling Fan multicomp<sup>PRO</sup>

RoHS  
Compliant



## Specifications

### Mechanical Characteristic

Dimension	: 40mm × 40mm × 20mm
Frame	: Black PBT
Blade	: Black PBT (5 Blades)
Bearing	: Sleeve Bearing
Lead Wire	: 1007 26AWG Black (-) Red (+) Yellow (FG) L = 300mm
Life Expectancy	: 30,000 Hrs. (At 25°C /Relative Humidity 65%)
Speed	: 8000Rpm ±10% (At rated Voltage, Measured after 3 Mins)
Air Flow	: 9.16 CFM (When Air Pressure = 0)
Air Pressure	: 6.73mm-H2O (When Air Flow = 0)
Noise Level	: 36.31dB(A)

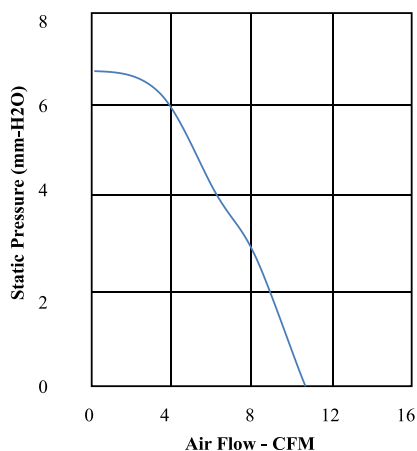
### Electric Characteristic

Rated Voltage	: 12V DC
Rated Current	: 0.16A
Operating Voltage Range	: 10.2V DC to 13.8V DC (At 25°C/Relative Humidity)
Start-up Voltage	: 7V DC (At 25°C/Relative Humidity)
Rated Current	: 0.12AMP ±0.03A (At rated Voltage, Measured after 3 Mins.)
Rated Power	: 1.44 Watt ±10% (At rated Voltage, Measured after 3 Mins.)
Insulation Resistance	: 10MΩ Min. (When test voltage of DC 250V is impressed between terminal (+) and housing)
Dielectrics Withstand Voltage	: 5mA Max. (When voltage of AC 500V is impressed between terminal (+) and housing)

### Environments

Operating Temperature	: -10°C to +70°C
Storage Temperature	: -40°C to +75°C
Operating and Storage Humidity	: 35% to 85% RH

The performance including air flow and air pressure measured in Double Chamber is measured according to AMCA210-85 standard.

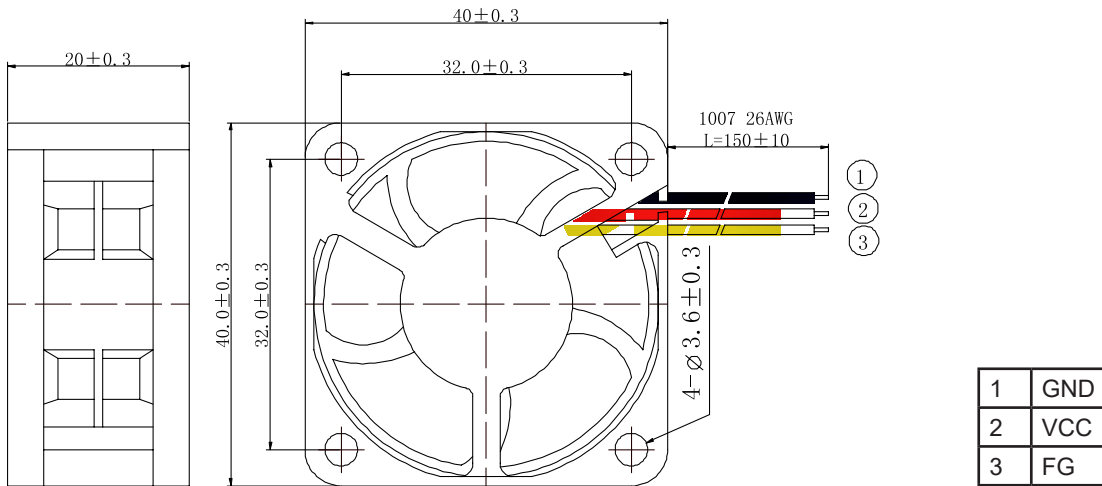


Newark.com/multicomp-pro  
Farnell.com/multicomp-pro  
Element14.com/multicomp-pro

multicomp<sup>PRO</sup>

# DC Brushless Cooling Fan multicomp<sup>PRO</sup>

## Diagram



Dimensions : Millimetres

## Part Number Table

Description	Part Number
Axial Fan, 40mm × 40mm × 20mm, 12V DC	MC002105

**Important Notice :** This data sheet and its contents (the "Information") belong to the members of the AVNET group of companies (the "Group") or are licensed to it. No licence is granted for the use of it other than for information purposes in connection with the products to which it relates. No licence of any intellectual property rights is granted. The Information is subject to change without notice and replaces all data sheets previously supplied. The Information supplied is believed to be accurate but the Group assumes no responsibility for its accuracy or completeness, any error in or omission from it or for any use made of it. Users of this data sheet should check for themselves the Information and the suitability of the products for their purpose and not make any assumptions based on information included or omitted. Liability for loss or damage resulting from any reliance on the Information or use of it (including liability resulting from negligence or where the Group was aware of the possibility of such loss or damage arising) is excluded. This will not operate to limit or restrict the Group's liability for death or personal injury resulting from its negligence. Multicomp Pro is the registered trademark of Premier Farnell Limited 2019.

Newark.com/multicomp-pro  
 Farnell.com/multicomp-pro  
 Element14.com/multicomp-pro

**multicomp<sup>PRO</sup>**