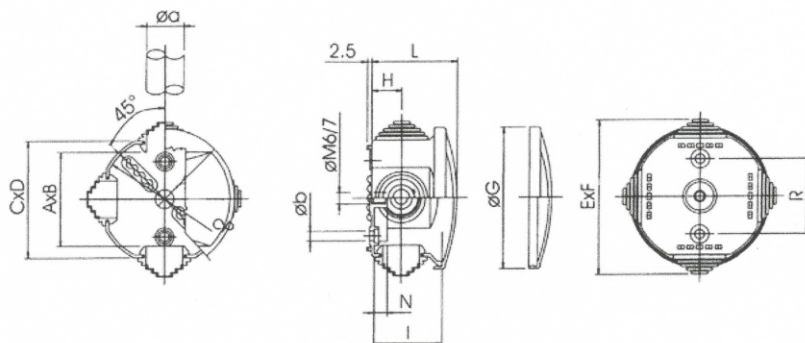
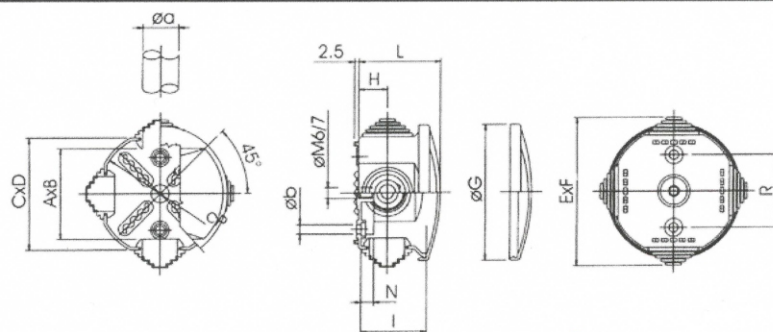


SERIE OL2 CASSETTE DI DERIVAZIONE STAGNE DA PARETE

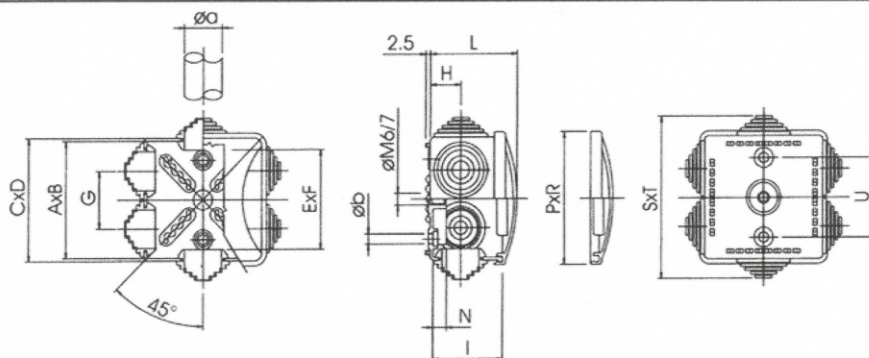
JUNCTION BOXES FOR WALL MOUNTING / BOITES DE DÉRIVATION A ENCASTRER



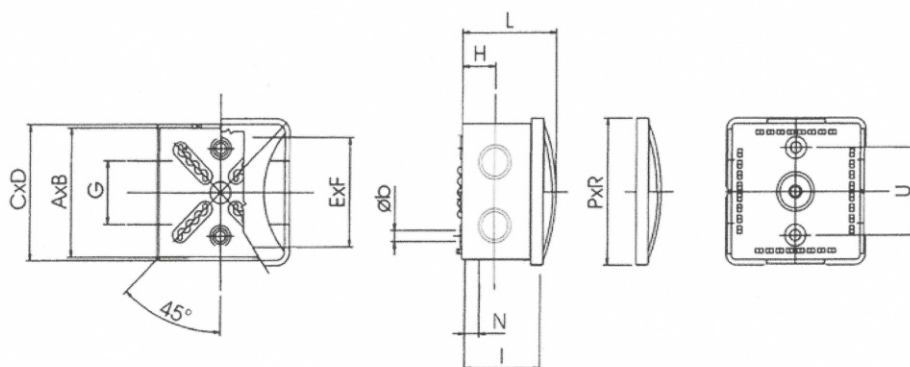
Codice	-A-	-B-	-C-	-D-	-E-	-F-	-G-	-H-	-I-	-L-	-N-	-P-	-R-	-a-	-b-
EN81295	62	62	67	67	80	80	75	16	38	48	7	75	40	20-5	5



Codice	-A-	-B-	-C-	-D-	-E-	-F-	-G-	-H-	-I-	-L-	-N-	-P-	-R-	-a-	-b-
EN81296	80	80	83	83	100	100	91	16	42	51	7	88	50	20-5	5



Codice	-A-	-B-	-C-	-D-	-E-	-F-	-G-	-H-	-I-	-L-	-N-	-P-	-R-	-S-	-T-	-U-	-a-	-b-
EN82187	80	80	83	83	71	71	40	16	42	51	7	88	88	103	103	50	20-5	5



Codice	-A-	-B-	-C-	-D-	-E-	-F-	-G-	-H-	-I-	-L-	-N-	-P-	-R-	-U-	-b-
EN82188	80	80	83	83	63	63	40	16	42	51	7	88	88	50	5