

# HIGH FREQUENCY CYLINDRICAL TYPE MICROPROCESSOR CRYSTAL

AB308

AB308

Moisture Sensitivity Level (MSL) – This product is Hermetically Sealed and not Moisture Sensitive - MSL = N/A: Not Applicable



RoHS/RoHS II Compliant

8.5 x Ø3.2mm

## FEATURES:

- High stability by tight vacuum sealing
- Miniature high frequency cylinder type crystal

## APPLICATIONS:

- Suitable for wide range of application
- Clocks for microprocessor
- Consumer electronics
- Test equipment
- Computer peripherals

## STANDARD SPECIFICATIONS:

Parameters	Minimum	Typical	Maximum	Units	Notes
Frequency Range	4.000		26.999	MHz	Fundamental (std.)
	27.000		70.000		3 <sup>rd</sup> Overtone (std.)
	27.000		34.000		Fundamental (see options)
Operation Mode	Fundamental or 3 <sup>rd</sup> Overtone				
Operating Temperature	-10		+60	°C	See options
Storage Temperature	-40		+85	°C	
Frequency Tolerance @+25°C	-30		+30	ppm	See options
Frequency Stability over the Operating Temperature ( ref. to +25°C)	-50		+50	ppm	
Equivalent series resistance (R1)			150	Ω	4.000 – 5.999MHz Fundamental
			100		6.000 – 9.999MHz Fundamental
			50		10.000 – 26.999MHz Fundamental
			50		27.000 – 34.000 MHz Fundamental
			100		27.000 – 36.000 MHz 3 <sup>rd</sup> OT
			80		36.001 – 70.000 MHz 3 <sup>rd</sup> OT
Shunt capacitance (C0)			5	pF	
Load capacitance (CL)		16		pF	16 and 18pF nominal CL (See options)
Drive Level			100	μW	
Aging@25°C±3°C	-5		+5	ppm	First year
Insulation Resistance	500			M Ω	@ 100Vdc ± 15V



# HIGH FREQUENCY CYLINDRICAL TYPE MICROPROCESSOR CRYSTAL

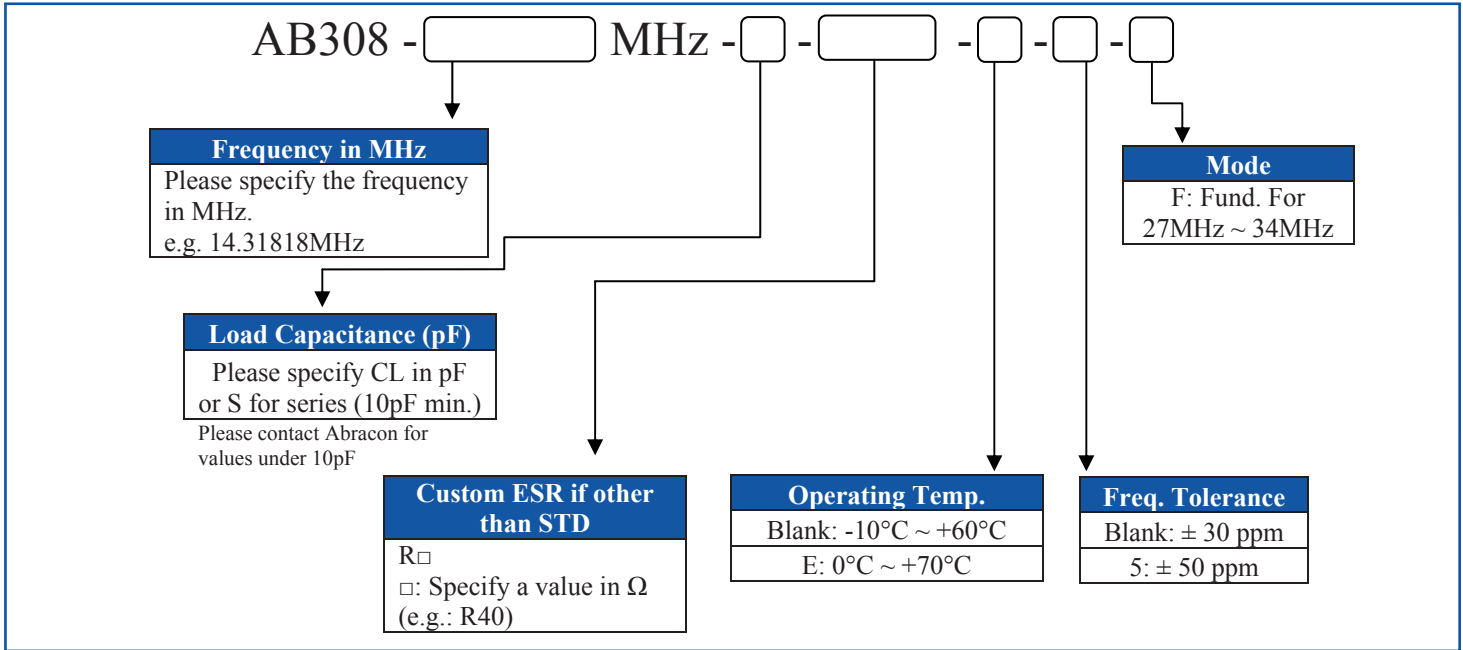


8.5 x Ø3.2mm

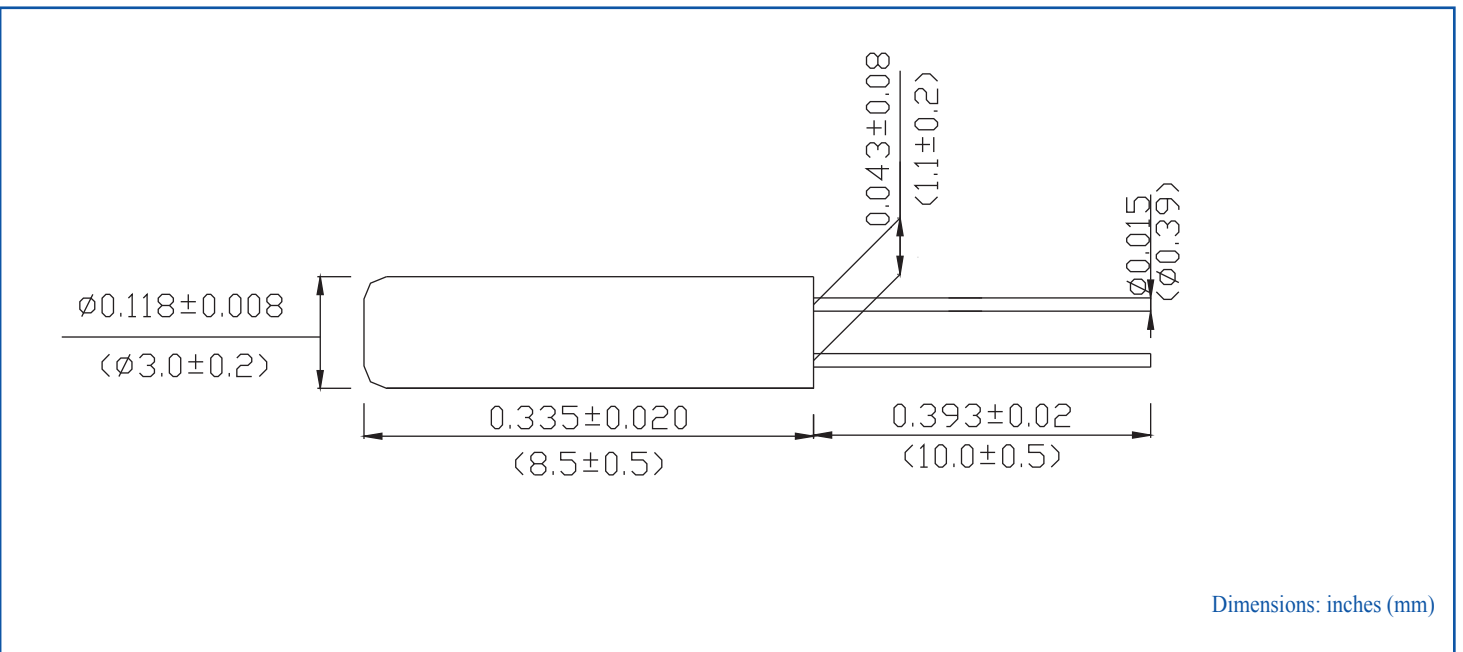
AB308

RoHS/RoHS II Compliant

## OPTIONS AND PART IDENTIFICATION: (Left blank if standard)



## OUTLINE DRAWING:



Packaging = Bulk, 1000pcs/bag

**ATTENTION:** Abracon Corporation's products are COTS – Commercial-Off-The-Shelf products; suitable for Commercial, Industrial and, where designated, Automotive Applications. Abracon's products are not specifically designed for Military, Aviation, Aerospace, Life-dependant Medical applications or any application requiring high reliability where component failure could result in loss of life and/or property. For applications requiring high reliability and/or presenting an extreme operating environment, written consent and authorization from Abracon Corporation is required. Please contact Abracon Corporation for more information.

ABRACON IS  
ISO9001:2008  
CERTIFIED



Visit [www.abracon.com](http://www.abracon.com) for Terms & Conditions of Sale  
30332 Esperanza, Rancho Santa Margarita, California 92688  
tel 949-546-8000 | fax 949-546-8001 | [www.abracon.com](http://www.abracon.com)

Revised: 05.02.13