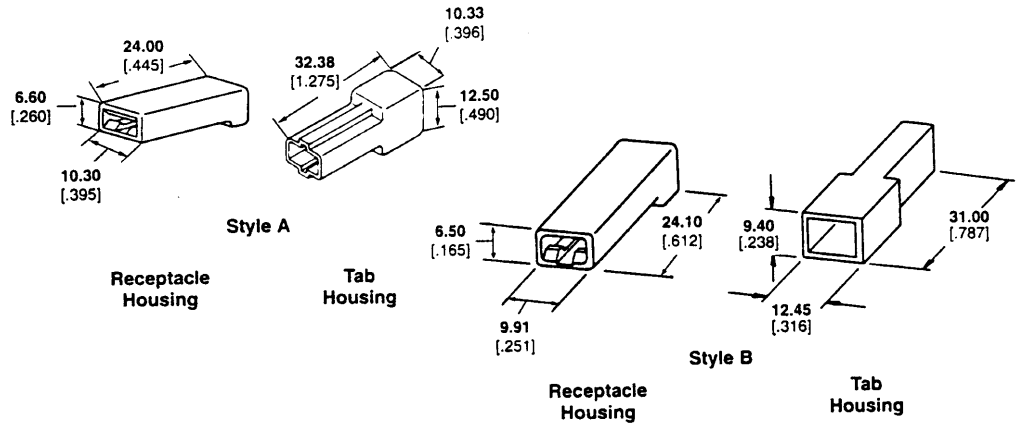


**".250" Series [6.3 Series]
FASTIN-FASTON
Connectors**

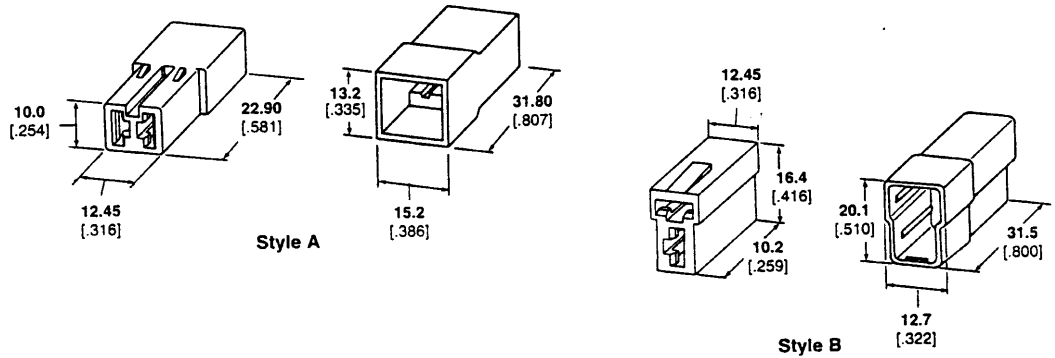
Single Circuit Housings



Style	Material	UL 94 ¹	Color	Housing Part Numbers	
				Receptacle	Tab
A	Cyclocac	HB	Black	480054-2	480053-2
			Natural	480054-3	480053-3
	Nylon	V2	Black	480054-4	—
			Red	480054-5	480053-5
B	Polyamide	—	Natural	925324-2	180916-0
	Polycarbonate	—	Black	73514-0	—
					1-180916-0

¹Flammability Rating

Two-Circuit Housings



Style	Material	Color	Housing Part Numbers	
			Receptacle	Tab
A	Polyamide	Natural	737245-1	—
			180923*	180924*
			280843	280542
B	Polyamide	Natural	926474	—
			180407	180908

*Material: Nylon

6
Blade-Type Connectors
FASTIN-FASTON Connectors