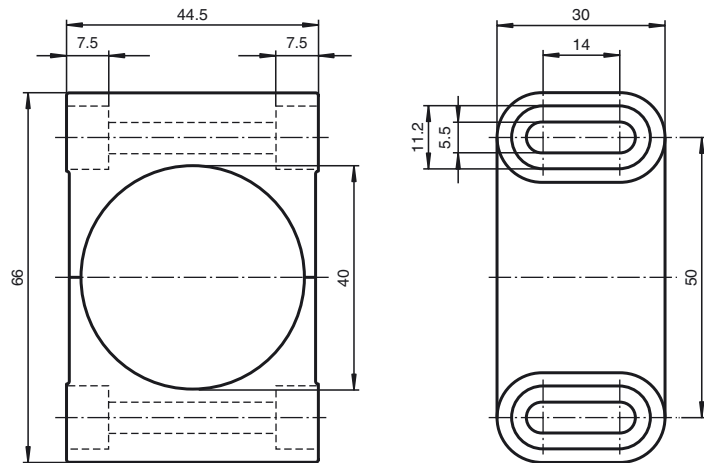




Dimensions



Model Number

BF 40

Mounting flange, 40 mm

Features

- Retainer for all cylindrical sensors with M40 thread
- Simple installation and exact setting

Technical data

General specifications

Inside diameter 40 mm

Ambient conditions

Ambient temperature -25 ... 85 °C (-13 ... 185 °F)

Mechanical specifications

Material PBT

Tightening torque, fastening screws ≤ 1.5 Nm

Dimensions 30 mm x 66 mm x 45 mm

Release date: 2013-12-09 10:12 Date of issue: 2013-12-09 000057_eng.xml