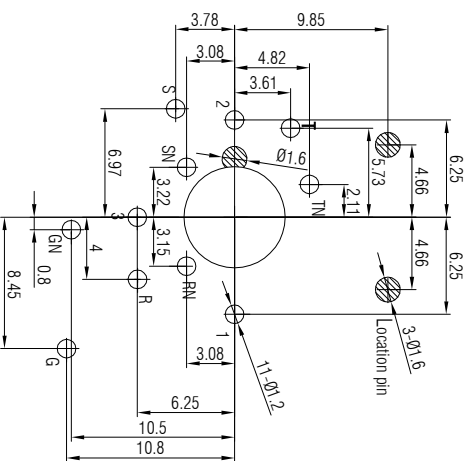
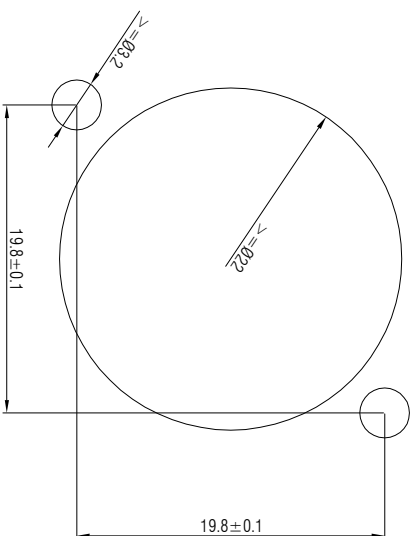


PCB Layout (Component side)



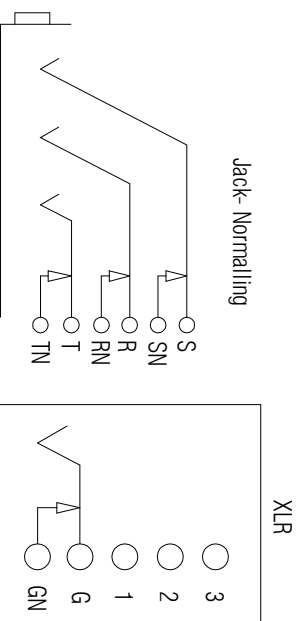
Panel cut out (Rear side)



Note:

1. All dimensions in mm.
2. Tolerances not specified is $\pm 0.20\text{mm}$.

Normalling-Schemes



THIS DOCUMENT IS THE PROPERTY OF NENTEK
NO PART THEREOF MAY BE REPRODUCED AND USED
WITHOUT THE PRIOR WRITTEN CONSENT OF THE
OWNER

Title: RCJ10FA-V

Rev.	Revision Details	Date	Name

Material:	Scale:	Date:	Name:
	3 : 1 (A3)	2020.01.04	Jacky
		2020.01.04	Abulham

RENN

Drawing No.: 3.664.043