

Router - TC ROUTER 4002T-4G EU



1234352

<https://www.phoenixcontact.com/pc/products/1234352>

Please be informed that the data shown in this PDF document is generated from our Online Catalog. Please find the complete data in the user documentation. Our General Terms of Use for Downloads are valid.



Industrial 4G LTE router, EU device, 3G (UMTS/HSPA) and 2G (GPRS/EDGE) fallback, 2-port switch, firewall, NAT, IPsec and OpenVPN support, 4 DI, 2 DO

Product Description

The TC ROUTER 4000... cellular routers are the successor to: TC ROUTER 3000... (TC ROUTER 3002T-4G, 2702528 and TC ROUTER 3002T-3G, 2702529), TC ROUTER 2000... (TC ROUTER 2002T-4G, 2702530 and TC ROUTER 2002T-3G, 2702531) In addition to the proven 4G-LTE cellular connection, the routers also feature an integrated WLAN interface or a serial RS-232/485 interface, depending on the version. Connection to the internet can be established via the cellular interface, via a wired WAN port, or via an existing WLAN network.

Your advantages

- Industrial 4G cellular router (LTE)
- Fallback to 3G (UMTS/HSPA) and 2G (GPRS/EDGE)
- Virtual dedicated line to connect networks via cellular network
- IPsec and OpenVPN
- Configuration via web-based management or microSD card
- 2 local Ethernet connections
- Switchable energy-saving mode
- Integrated logbook
- Extended temperature range of -40 °C ... +70 °C
- Micro SIM and eSIM for maximum network availability
- Four digital inputs
- 2 digital outputs

Commercial Data

Item number	1234352
Packing unit	1 pc
Minimum order quantity	1 pc
Product Key	DNC422
GTIN	4063151338725
Weight per Piece (including packing)	339.2 g
Weight per Piece (excluding packing)	332 g
Customs tariff number	85176200
Country of origin	DE

Router - TC ROUTER 4002T-4G EU



1234352

<https://www.phoenixcontact.com/pc/products/1234352>

Technical Data

Notes

Utilization restriction

EMC note	EMC: class A product, see manufacturer's declaration in the download area
----------	---

Product properties

Product type	Cellular router
Application	Ethernet
MTTF	384 Years (SN 29500 standard, temperature 25°C, operating cycle 21%)
	180 Years (SN 29500 standard, temperature 40°C, operating cycle 34.25%)
	64 Years (SN 29500 standard, temperature 40°C, operating cycle 100%)

Electrical properties

Electrical isolation	VCC // LTE // Ethernet // PE
Mains type	Cellular communication

Supply

Supply voltage range	10 V DC ... 30 V DC (Via pluggable Push-in terminal block)
Typical current consumption	< 180 mA (24 V DC)
	< 500 mA (10 V DC)
	≤ 3 mA (With activated energy-saving mode)
Max. current consumption	1.5 A
Connection method	Push-in spring connection

Function

Management	Web-based management
	SNMPv1/v2/v3
	SSHv2
	Telnet
	TOM (TC ROUTER Online Manager, management software from Phoenix Contact)
Data storage	Micro SDHC card

Input data

Digital

Description of the input	Digital input
Number of inputs	4
Voltage input signal	10 V DC ... 30 V DC
Switching level "0" signal	< 8 V DC
Switching level "1" signal	10 V DC ... 30 V DC

1234352

<https://www.phoenixcontact.com/pc/products/1234352>

Output data

Output name	Digital output
Number of outputs	2
Voltage output signal	10 V DC ... 30 V DC (depending on the operating voltage)
Current output signal	≤ 50 mA (Not short-circuit proof)

Connection data

Supply

Connection method	Push-in spring connection
Conductor cross section flexible, with ferrule without plastic sleeve	0.25 mm ² ... 1.5 mm ²
Conductor cross section, flexible, with ferrule, with plastic sleeve	0.25 mm ² ... 0.75 mm ²
Conductor cross section, flexible	0.14 mm ² ... 1.50 mm ²
Conductor cross section, rigid	0.14 mm ² ... 1.50 mm ²
Stripping length	9 mm

Interfaces

Web server	yes
------------	-----

Data: Ethernet interface, 10/100Base-T(X) in accordance with IEEE 802.3

Serial transmission speed	10/100 Mbps, auto negotiation
Connection method	RJ45 jack, shielded
No. of channels	2
Transmission length	100 m (shielded twisted pair)
Protocols supported	TCP/IP, UDP/IP, HTTP(S), (S)FTP, TFTP, SCEP, RADIUS VPN: IPsec, OpenVPN, GRE, L2TP, PPTP Network Discovery: LLDP, CDP, FDP, SONMP, EDI, IRDP
Auxiliary protocols	ARP, DHCP, DNS, DynDNS, PING (ICMP), SMTP(S), NTP, SSL/TLS, STARTTLS, SMS

Wireless

Interface description	GSM / GPRS / EDGE / UMTS / HSPA / LTE (FDD)
Frequency range	800 MHz (LTE B20) 850 MHz (LTE B5) 900 MHz (LTE B8) 1800 MHz (LTE B3) 2100 MHz (LTE B1) 2600 MHz (LTE B7) 850 MHz (UMTS/HSPA B5) 900 MHz (UMTS/HSPA B8) 1900 MHz (UMTS/HSPA B2) 2100 MHz (UMTS/HSPA B1) 850 MHz (2 W (EGSM)) 900 MHz (2 W (EGSM))

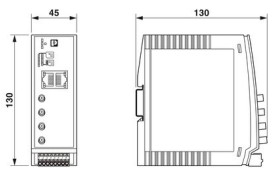
Router - TC ROUTER 4002T-4G EU

1234352

<https://www.phoenixcontact.com/pc/products/1234352>

	1800 MHz (1 W (EGSM))
	1900 MHz (1 W (EGSM))
Data rate	≤ 150 Mbps (LTE (DL))
	≤ 50 Mbps (LTE (UL))
Antenna	50 Ω impedance SMA antenna socket
Antenna connection method	SMA (female)
SIM Interface	Micro SIM (3FF)
	eSIM (several profiles)
GPRS	Class 12, Class B
	CS1 ... CS4
EDGE	Multislot Class 12
UMTS	HSPA 3GPP R8
LTE	CAT4
Country support	Europe

Dimensions

Dimensional drawing	
Width	45 mm
Height	130 mm
Depth	130 mm

Material specifications

Color	gray
Material	Polycarbonate (Housing)

Environmental and real-life conditions

Ambient conditions

Degree of protection	IP20
Ambient temperature (operation)	-40 °C ... 70 °C
Ambient temperature (storage/transport)	-40 °C ... 85 °C
Altitude	≤ 5000 m (For restrictions, see the manufacturer's declaration for altitude operation)
Permissible humidity (operation)	10 % ... 95 % (non-condensing)
Permissible humidity (storage/transport)	10 % ... 95 % (non-condensing)

Approval data

CE

Certificate	CE-compliant
-------------	--------------

1234352

<https://www.phoenixcontact.com/pc/products/1234352>

EMC data

Electromagnetic compatibility	Conformance with RED Directive 2014/53/EU
Noise immunity	EN 61000-6-2

Electrostatic discharge

Standards/regulations	EN 61000-4-2
-----------------------	--------------

Electrostatic discharge

Contact discharge	± 6 kV (Test Level 3)
Discharge in air	± 8 kV (Test Level 3)
Comments	Criterion B

Electromagnetic HF field

Standards/regulations	EN 61000-4-3
-----------------------	--------------

Electromagnetic HF field

Frequency range	80 MHz ... 3 GHz (Test Level 3)
Field intensity	10 V/m
Comments	Criterion A

Fast transients (burst)

Standards/regulations	EN 61000-4-4
-----------------------	--------------

Fast transients (burst)

Input	± 2 kV (Test Level 3)
Signal	± 2 kV (Ethernet)
Comments	Criterion B

Surge current load (surge)

Standards/regulations	EN 61000-4-5
-----------------------	--------------

Surge current load (surge)

Input	± 0.5 kV (symmetrical)
	± 1 kV (asymmetrical)
Signal	± 1 kV (Data line, asymmetrical)
Comments	Criterion B

Conducted interference

Standards/regulations	EN 61000-4-6
-----------------------	--------------

Conducted interference

Frequency range	0.15 MHz ... 80 MHz
Comments	Criterion A
Voltage	10 V

Emitted interference

Radio interference voltage in acc. with EN 55011	Class B, area of application: Industry and residential
Emitted radio interference in acc. with EN 55011	Class B, area of application: Industry and residential

Router - TC ROUTER 4002T-4G EU



1234352

<https://www.phoenixcontact.com/pc/products/1234352>

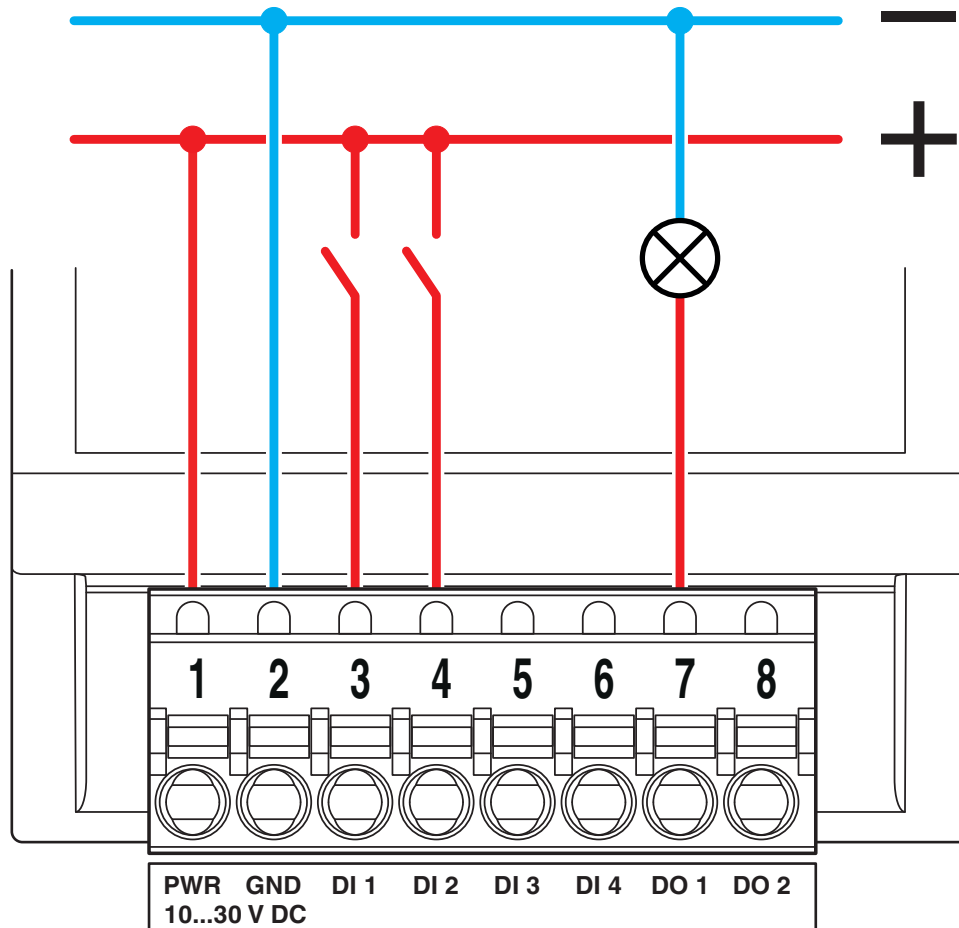
Criterion A	Normal operating behavior within the specified limits.
Criterion B	Temporary impairment to operational behavior that is corrected by the device itself.

Mounting

Mounting type	DIN rail mounting
---------------	-------------------

Drawings

Connection diagram



Switching inputs and outputs

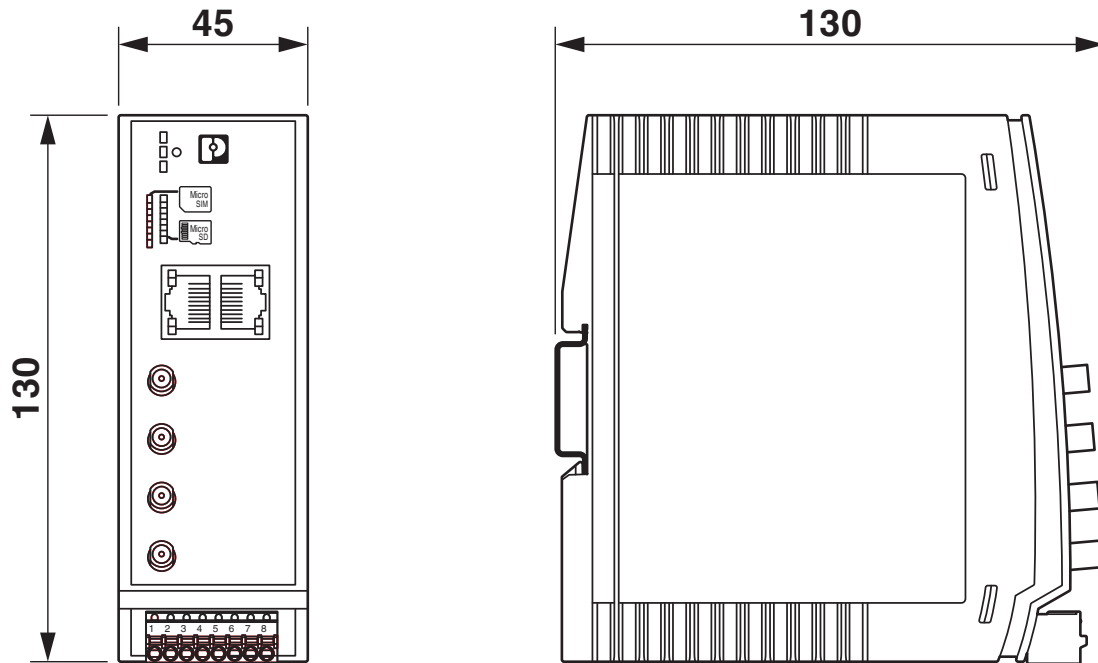
Router - TC ROUTER 4002T-4G EU



1234352

<https://www.phoenixcontact.com/pc/products/1234352>

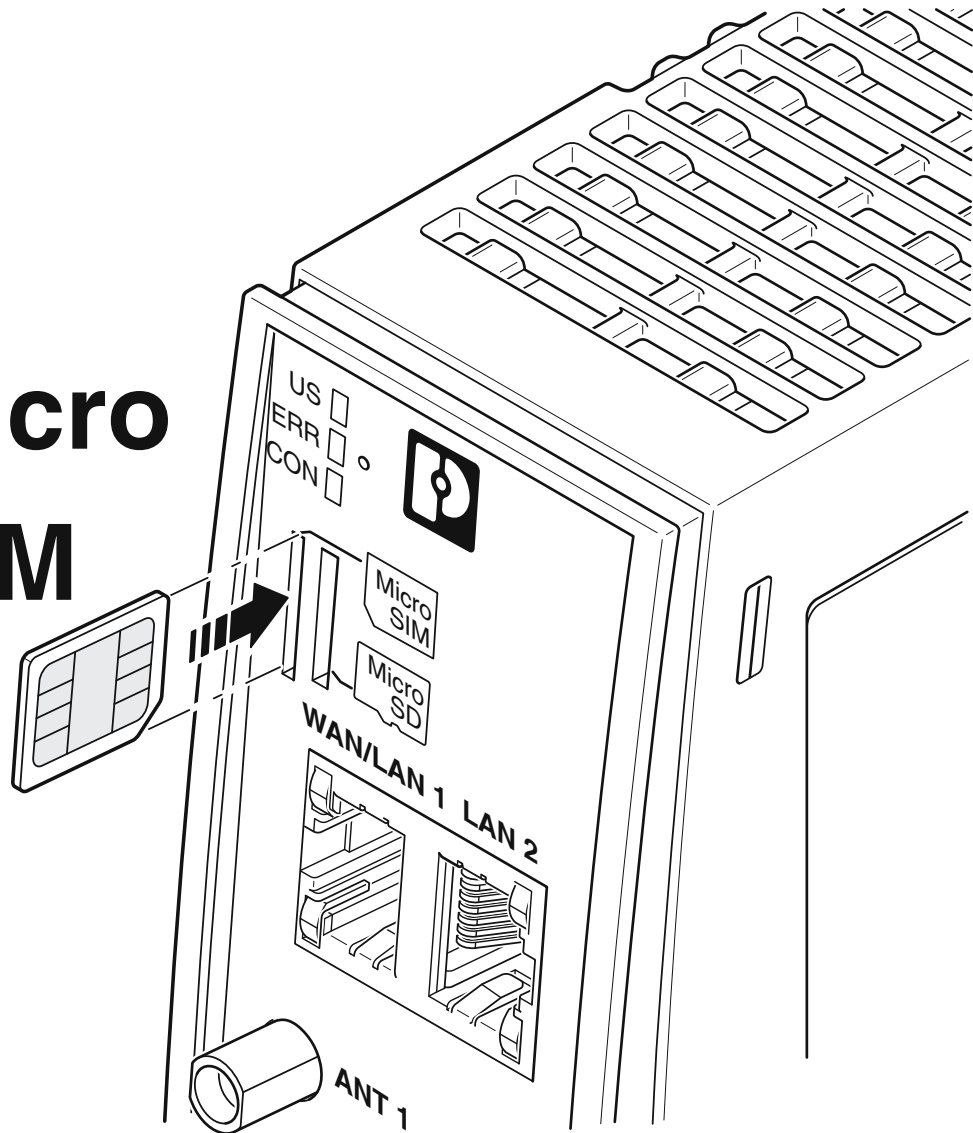
Dimensional drawing



Dimensions (product version with four antenna connections)

Schematic diagram

Micro SIM



Insert SIM card

Schematic diagram

Micro SD



Insert SD card

Router - TC ROUTER 4002T-4G EU



1234352

<https://www.phoenixcontact.com/pc/products/1234352>

Classifications

ECLASS

ECLASS-9.0	19170103
ECLASS-10.0.1	19170502
ECLASS-11.0	19170502

ETIM

ETIM 8.0	EC001478
----------	----------

UNSPSC

UNSPSC 21.0	43222600
-------------	----------

Router - TC ROUTER 4002T-4G EU



1234352

<https://www.phoenixcontact.com/pc/products/1234352>

Environmental Product Compliance

China RoHS	Environmentally friendly use period: unlimited = EFUP-e
	No hazardous substances above threshold values

Router - TC ROUTER 4002T-4G EU



1234352

<https://www.phoenixcontact.com/pc/products/1234352>

Accessories

Power supply unit

Power supply unit - TRIO-PS-2G/1AC/24DC/3/C2LPS - 2903147

<https://www.phoenixcontact.com/pc/products/2903147>

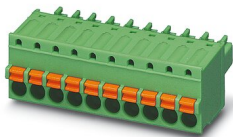


Primary-switched TRIO POWER power supply with push-in connection for DIN rail mounting, input: 1-phase, output: 24 V DC/3 A C2LPS

PCB connector

PCB connector - FK-MCP 1,5/ 8-ST-3,81 GY7035 - 1713311

<https://www.phoenixcontact.com/pc/products/1713311>



PCB connector, nominal cross section: 1.5 mm², color: light grey, nominal current: 8 A, rated voltage (III/2): 160 V, contact surface: Tin, type of contact: Female connector, number of potentials: 8, number of rows: 1, number of positions: 8, number of connections: 8, product range: FK-MCP 1,5/..-ST, pitch: 3.81 mm, connection method: Push-in spring connection, conductor/PCB connection direction: 0 °, number of solder pins per potential: 1, plug-in system: COMBICON MC 1,5, locking: without, mounting: without, type of packaging: packed in cardboard

Router - TC ROUTER 4002T-4G EU

1234352

<https://www.phoenixcontact.com/pc/products/1234352>

License

License - MGuard Secure VPN Client LIC - 2702579

<https://www.phoenixcontact.com/pc/products/2702579>



License for mGuard Secure VPN Client v11.x

Antenna

Antenna - TC ANT MOBILE WALL 5M - 2702273

<https://www.phoenixcontact.com/pc/products/2702273>



Multiband omnidirectional antenna for wall or mast mounting, 0.6 GHz ... 6 GHz, gain: 3 dBi ... 7 dBi, degree of protection: IP66, connection: SMA (male), incl. 5 m connecting cable, mounting bracket, and mast clamps

Router - TC ROUTER 4002T-4G EU

1234352

<https://www.phoenixcontact.com/pc/products/1234352>

Antenna

Antenna - TC ANT MOBILE WALL 0,5M - 2702274

<https://www.phoenixcontact.com/pc/products/2702274>



Multiband cellular antenna for wall mounting, 0.5 m antenna cable, with SMA circular connector, suitable for LTE/4G

Antenna

Antenna - ANT-OMNI-0671-02 - 1396318

<https://www.phoenixcontact.com/pc/products/1396318>



Multiband omnidirectional antenna with protection against vandalism for control cabinet mounting, frequency band: 0.6 GHz ... 7.1 GHz, gain: 2 dBi ... 4 dBi, degree of protection: IP67, shockproof: IK10, seawater-resistant, connection: N (female)

Router - TC ROUTER 4002T-4G EU



1234352

<https://www.phoenixcontact.com/pc/products/1234352>

Antenna

Antenna - ANT-OMNI-0671-01 - 1396316

<https://www.phoenixcontact.com/pc/products/1396316>



Multiband omnidirectional antenna for wall or mast mounting, 0.6 GHz ... 7.1 GHz, gain: 1 dBi ... 3 dBi, degree of protection: IP67, seawater-resistant, connection: N (female), incl. mounting bracket and mast clamps

Coaxial cable

Coaxial cable - NBC-COX-CNM/0.5-S/COX-CKM - 1340139

<https://www.phoenixcontact.com/pc/products/1340139>



Coaxial cable, 50 Ω , length: 0.5 m, N(m) - SMA(m), external cable diameter: 2.8 mm, transmission frequency: ≤ 7.25 GHz, typical attenuation: 800 MHz 0.4 dB, 2.4 GHz 0.7 dB, 5.8 GHz 1.1 dB, 7.25 GHz 1.5 dB

Router - TC ROUTER 4002T-4G EU

1234352

<https://www.phoenixcontact.com/pc/products/1234352>

Coaxial cable

Coaxial cable - NBC-COX-CNM/1.0-M/COX-CKM - 1340143

<https://www.phoenixcontact.com/pc/products/1340143>



Coaxial cable, 50 Ω , length: 1 m, N(m) - SMA(m), external cable diameter: 4.9 mm, transmission frequency: ≤ 7.25 GHz, typical attenuation: 800 MHz 0.5 dB, 2.4 GHz 0.8 dB, 5.8 GHz 1.2 dB, 7.25 GHz 1.4 dB

Coaxial cable

Coaxial cable - NBC-COX-CNM/3.0-M/COX-CKM - 1340144

<https://www.phoenixcontact.com/pc/products/1340144>



Coaxial cable, 50 Ω , length: 3 m, N(m) - SMA(m), external cable diameter: 4.9 mm, transmission frequency: ≤ 7.25 GHz, typical attenuation: 800 MHz 1.4 dB, 2.4 GHz 2.3 dB, 5.8 GHz 3.6 dB, 7.25 GHz 4.2 dB

Router - TC ROUTER 4002T-4G EU

1234352

<https://www.phoenixcontact.com/pc/products/1234352>

Coaxial cable

Coaxial cable - NBC-COX-CNM/5.0-M/COX-CKM - 1340147

<https://www.phoenixcontact.com/pc/products/1340147>



Coaxial cable, 50 Ω , length: 5 m, N(m) - SMA(m), external cable diameter: 4.9 mm, transmission frequency: ≤ 7.25 GHz, typical attenuation: 800 MHz 2.3 dB, 2.4 GHz 3.8 dB, 5.8 GHz 6 dB, 7.25 GHz 7.3 dB

Antenna cable

Antenna cable - RAD-CAB-EF393- 3M - 2867649

<https://www.phoenixcontact.com/pc/products/2867649>



Antenna cable, outside diameter: 10 mm (0.4 in.), inner conductor: stranded, attenuation: 1.0 / 1.8 / 3.1 dB at 0.9 / 2.4 / 5.8 GHz, connection: 2 x N (male), cable length: 3 m (10 ft.)

Router - TC ROUTER 4002T-4G EU



1234352

<https://www.phoenixcontact.com/pc/products/1234352>

Antenna cable

Antenna cable - RAD-CAB-EF393- 5M - 2867652

<https://www.phoenixcontact.com/pc/products/2867652>



Antenna cable, outside diameter: 10 mm (0.4 in.), inner conductor: stranded, attenuation: 1.6 / 2.9 / 5.0 dB at 0.9 / 2.4 / 5.8 GHz, connection: 2 x N (male), cable length: 5 m (16 ft.)

Antenna cable

Antenna cable - RAD-CAB-EF393-10M - 2867665

<https://www.phoenixcontact.com/pc/products/2867665>



Antenna cable, outside diameter: 10 mm (0.4 in.), inner conductor: stranded, attenuation: 2.9 / 5.6 / 9.9 dB at 0.9 / 2.4 / 5.8 GHz, connection: 2 x N (male), cable length: 10 m (32 ft.)

Router - TC ROUTER 4002T-4G EU



1234352

<https://www.phoenixcontact.com/pc/products/1234352>

Antenna cable

Antenna cable - RAD-CAB-EF393-15M - 2885634

<https://www.phoenixcontact.com/pc/products/2885634>

Antenna cable, outside diameter: 10 mm (0.4 in.), inner conductor: stranded, attenuation: 4.3 / 8.3 / 14.8 dB at 0.9 / 2.4 / 5.8 GHz, connection: 2 x N (male), cable length: 15 m (50 ft.)



Surge protection device

Surge protection device - CN-UB-70DC-6-BB - 2803166

<https://www.phoenixcontact.com/pc/products/2803166>

Attachment plug with surge protection for coaxial signal interfaces. Connection: N connector, female/female



Router - TC ROUTER 4002T-4G EU



1234352

<https://www.phoenixcontact.com/pc/products/1234352>

Adapter

Adapter - RAD-ADP-N/F-N/F - 2867843

<https://www.phoenixcontact.com/pc/products/2867843>

Antenna adapter for control cabinet feed-through, frequency range: 0.3 GHz ...
6 GHz, degree of protection: IP65, connection: 2 x N (female)



Weather protection tape

Weather protection tape - RAD-TAPE-SV-19-3 - 2903182

<https://www.phoenixcontact.com/pc/products/2903182>

Vulcanizing sealing tape for external protection of adapters, cable connections,
etc. against the effects of weather, roll length: 3 m



Phoenix Contact 2022 © - all rights reserved
<https://www.phoenixcontact.com>

PHOENIX CONTACT GmbH & Co. KG
Flachsmarktstraße 8
D-32825 Blomberg
+49 (0) 5235-3 00
info@phoenixcontact.com