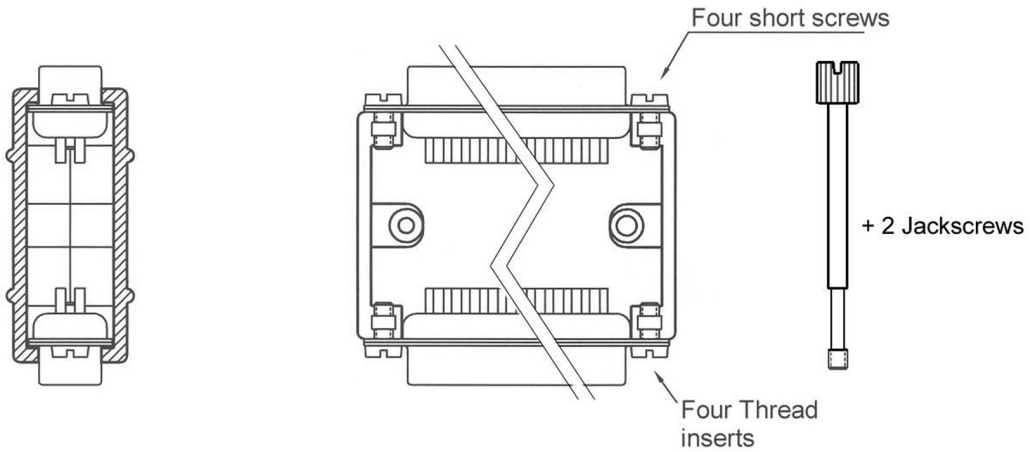


No.	Changes and/or Note No.	Date	Sign	No.	Changes and/or Note No.	Date	Sign

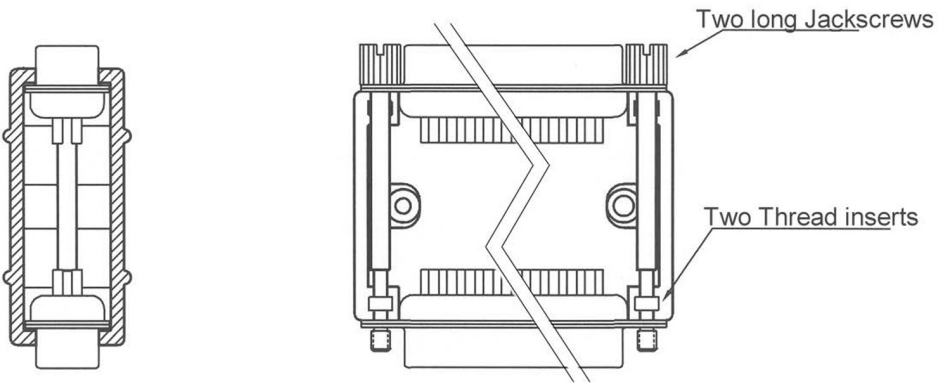
①



- 6211-0100-02 Kitted Part, Size 15 - Black Plastic
- 6353-0100-02 Kitted Part, Size 15 - Grey Plastic
- 6211-0100-12 Kitted Part, Size 15 - Metalized Plastic
- 6211-0100-03 Kitted Part, Size 25 - Black Plastic
- 6353-0100-03 Kitted Part, Size 25 - Grey Plastic
- 6211-0100-13 Kitted Part, Size 25 - Metalized Plastic

Part contain 4 small screws, 4 threaded Inserts and 2 long Jackscrews

②



- 6211-0100-32 Kitted Part, Size 15 - Black Plastic
- 6353-0100-32 Kitted Part, Size 15 - Grey Plastic
- 6211-0100-42 Kitted Part, Size 15 - Metalized Plastic
- 6211-0100-33 Kitted Part, Size 25 - Black Plastic
- 6353-0100-33 Kitted Part, Size 25 - Grey Plastic
- 6211-0100-43 Kitted Part, Size 25 - Metalized Plastic

Part contain 2 threaded Inserts and 2 long Jackscrews

DATE	061207	DRAWN	MRR	SCALE	MATERIAL TYPE	
		APPROVED			REPLACES	
		ADAPTER DAPK				
					DRAWING No.	