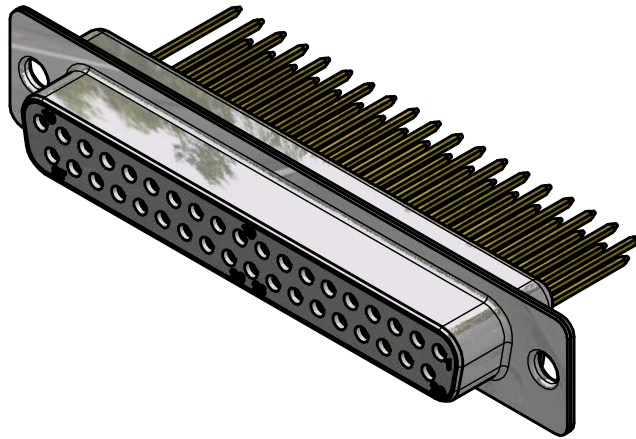
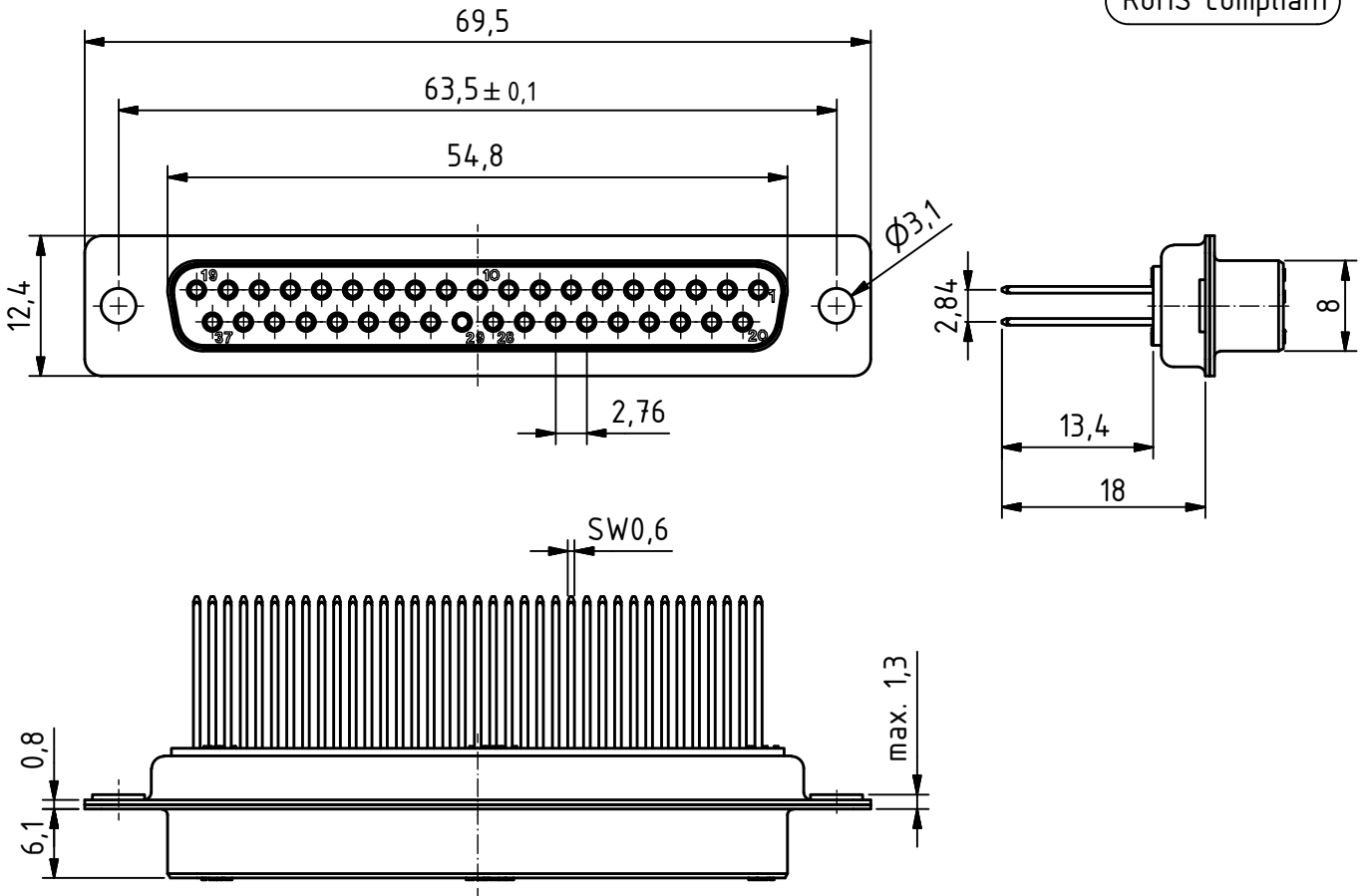


RoHS compliant



General tolerances (Deltron standard)			
size in mm			
> 0,5	> 3	> 6	> 30
up to 3	up to 6	up to 30	up to 120
tolerances			
±0,1	±0,2	±0,2	±0,3

MATERIALS

- Insulator: Thermoplastic UL 94-V-0 white
- Contact: Machined / Copper alloy
- Contact finish: Quality class 2
- Shell: steel tin plated

CHARAKTERISTICS

- Working voltage: 125V
- Current rating: 7.5A
- Contact resistance: max. 10mΩ - DIN41652
- Insulation resistance: >5GΩ
- Temperature range: -55° to +125°C

	All dimensions in mm	Rev.	Rev.	Rev.	DE005250		
		Rev.	Rev.	Rev.	part no.		
DTS37SW3/2				1.5:1 scale	drawn	07.06.2012	mr
					checked		
					approved		
				Industrie Neuhof 8c CH-3422 Kirchberg www.d-sub.swiss		K060878 drawing no.	