

# FELLER GMBH

A-2525 GUENSELSDORF, AUSTRIA - TEL.: . . 43(2256) 62 32 50 - FAX: . . 43 (2256) 62 32 57  
e-mail: sales@feller-at.com <http://www.feller-at.com>

**Description:** G25-H03VVH2F2X075-0812/1,50M BLACK  
Rating of power supply cord: 2,5A/250Vac

## 1. 1<sup>st</sup> end preparation: g25

25 mm jacket removed

## 2. CORD: Type H03VVH2F2X0,75 mm<sup>2</sup> BLACK

Flexible cord according to : ÖVE K41a,HD 21.S2; AS3191  
Marked : \*JF\*<ÖVE><HAR>H03VVH2F2X0,75\*N1095\*CE  
Number of cores : 2  
Conductor construction : 23x0,2 mm O.D. 1,10mm  
Conductor insulation : Extruded PVC, O.D. 2,10mm  
Jacket : Extruded PVC, 3,30 mm x 5,40mm +/-0,20mm  
Electrical resistance of conductors : max.26 Ω/km  
Dielectric strength : 2kVac, 1min.  
Insulation resistance : >0,010 MΩ/km  
Color of conductors : brown, blue  
Approvals : HARMONIZED,ÖVE

## 3. CONNECTOR: Type 0812

Design : Molded connector according to van standard  
Rated current and voltage : 2,5 A, 250 V AC  
Construction and outer mold : PVC compound, hardness Shore A 75-77  
Contacts of the connection : FASTON 2,8X0,5 160484-1 B 0,5-1,0 MS BLK

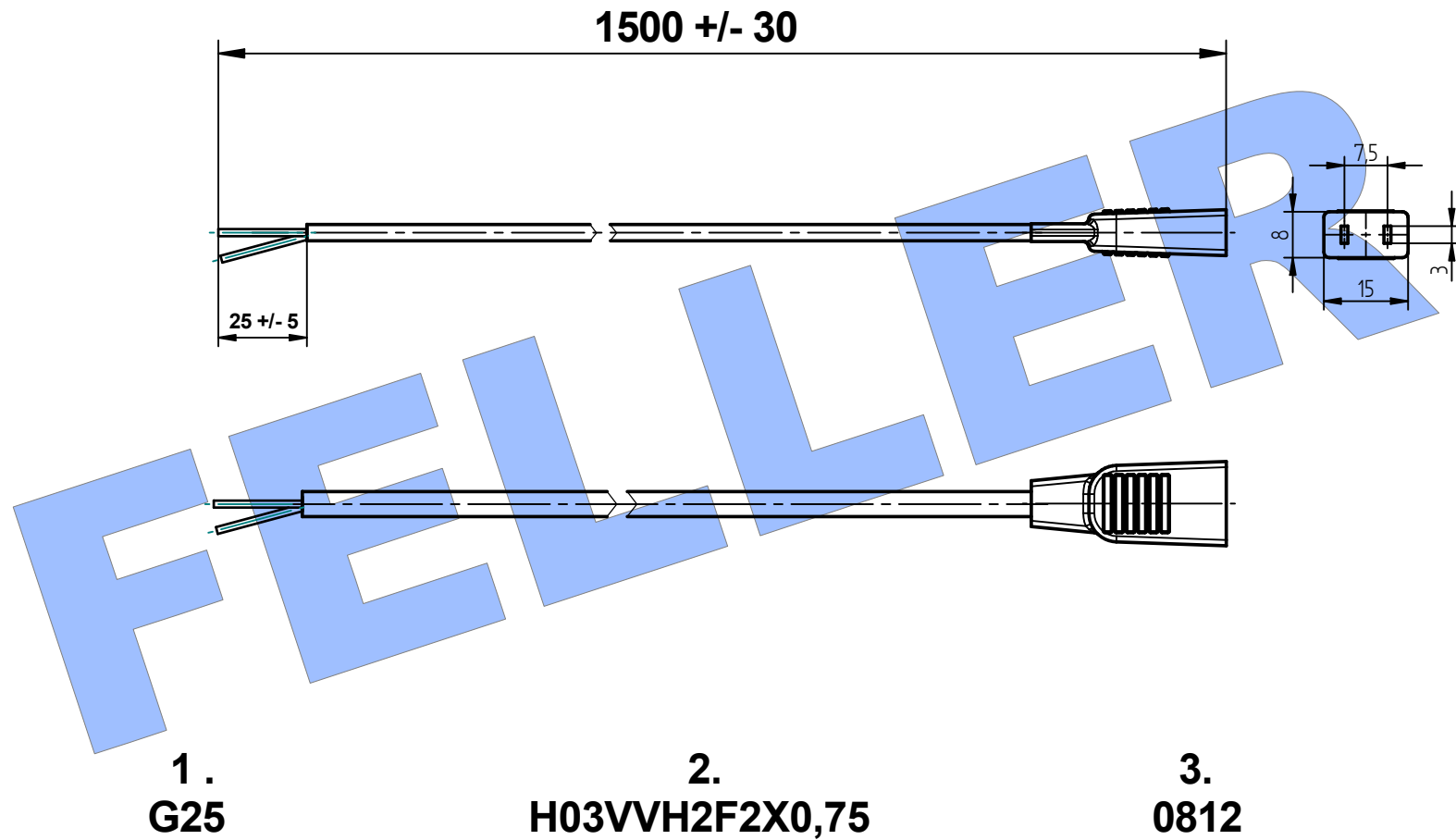
Environmental conformity : EU-Directive 2012/19/EU (WEEE)  
EU-Directive 2011/65/EU  
EU-Directive 1907/2006 EG (REACH -compliant)

## TESTING

Electrical testing : 100%  
Visual inspection : 100%  
High pot test wire to wire : 3kVac for 2 sec.  
Continuity test : 20Aac to line and neutral

design subject to change without prior notice, except written agreements with customer

DATE of ISSUE:	September, 2018		
REV: 1	1	ORIG:	DG



**Feller Type: G25-H03VVH2F2X075-0812/1,50M SW9005**

PN: 154-11-841

**All dimensions in mm**

27.09.2018

**DG**

**RoHS compliant**

**FELLER** 

A-2525 Günselsdorf, Austria  
 Telefon 0043-2256-62325-0  
 Fax: 0043-2256-62325-7  
 email: sales@feller-at.com  
 http://www.feller-at.com