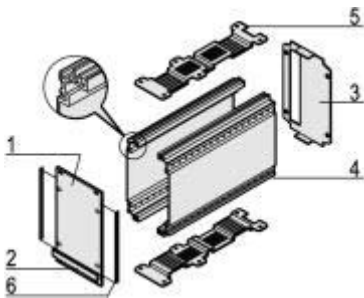


Frame-type 5 plug-in units 3/6 U kits

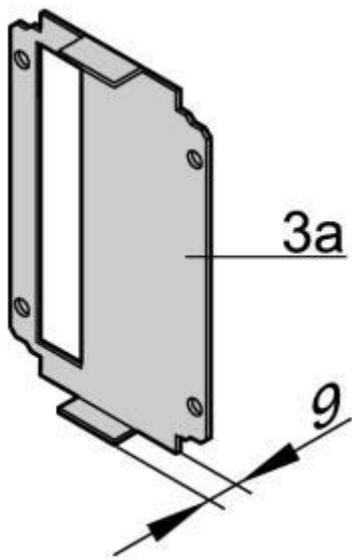


Article number: 20846-637

- Right and left extruded side plates with grooves for sliding in a printed circuit board (standard card position only on the left)
- Installation of further printed circuit boards by assembly of guide rails in the perforated cover plates
- Front panel EMC shielded, cover plates with perforation

Delivery quantity: kit

Item	Qty	Description
1	1	Front panel, Al 2,5 mm, front anodised, rear side yellow chromated
2	1	Handle, grey PPE, UL 04 V-1
3a	1	Rear panel Al 1,5 mm
4	2	Extruded side plate
5	2	Cover plate, perforated, Al 1 mm
6	2	EMC contact strips, stainless steel
7	1	Assembly kit



Technical data:

Height	Width	Description	Description
3 U	12 HP	T = 167 mm front panel, shielded	Rear panel with cut-out for 1 connector

Technical data:

Delivery batch size = 5 pieces

Notes:

- Delivery is exclusively in delivery batch size

SCHROFF GMBH

Feldrennach
Langenalber Straße 96-100
D-75334 Straubenhardt
Postfach 3
Postfach 3
D-75332 Straubenhardt
Tel. (0 70 82) 7 94-0
Fax (0 70 82) 7 94 200
http://www.schroff.de

Germany
SCHROFF GMBH
Langenalber Straße 96-100
D-75334 Straubenhardt
Postfach 3
D-75332 Straubenhardt
Tel. (0 70 82) 7 94-0
Fax (0 70 82) 7 94-200
http://www.schroff.de

France
SCHROFF SAS
Z.I. 4, rue du Marais
Boîte Postale 16
67860 Betschdorf
Tél. 03 88 90 64 90
Fax 03 88 90 64 88
http://www.schroff.de

Great Britain
SCHROFF UK Ltd.
Maylands Avenue
Hemel Hempstead
Herts HP2 7DE
Tel. (0 14 42) 24 04 71
Fax (0 14 42) 21 35 08

USA
SCHROFF,
North America
170 Commerce Drive
Warwick, R.I. 02886
Tel. (4 01) 7 32-37 70
Fax (4 01) 7 38-79 88
e-mail: schroffinfo@schroffus.com
http://www.schroffus.com

Japan
SCHROFF K.K.
Nisso No.13 Bldg. 4F
5-1, Shin-yokohama 2-chome,
Kohoku-ku, Yokohama 222
Tel. (0 45) 4 76-02 81
Fax (0 45) 4 76-02 89

Sweden
SCHROFF
Scandinavia AB
Box 2003
Flygfältsgatan 11
12821 Skarprånck
Tel. (08) 7 24 02 40
Fax (08) 7 24 78 59
http://www.schroff.se

Italy
SCHROFF S.R.L.
Viale Milano, 119
21013 Gallarate (Varese)
Tel. (03 31) 79 40 03
Fax (03 31) 79 34 50

Singapore
HOFFMANN
SCHROFF PTE LTD
25 International Business Park
#01-68/71 German Centre
Singapore 60 99 16
Tel. (65) 5 62 78 90
Fax (65) 5 62 78 99

Austria
Vollohm Dipl. Ing. Christian Drott KG
A-6832 Sulz - Fritzstraße 4
Tel. ++ 43 (0) 5 522 49 42-0
Fax ++ 43 (0) 5 522 421 41
http://www.vollohm.com
e-mail: info@vollohm.com

Australia
B & R Enclosures Pvt. Ltd.
10 Industrial Avenue
Wacol Queensland 4076
POB 106, Richlands
Queensland, Australia 4077
Tel. 00 61 7 32 71 23 96
Fax 00 61 7 32 71 36 54
Mayer Krieg & Co.
Electronic & Electrical Components
50 Mary Street, Unley
P.O. Box 685, Unley
Adelaide, South Australia 5061
Tel. (088) 2 91 32 22 - Fax (088) 2 91 32 00

Belgium
Gelechnics Multitechnic N.V.
Leuvensesteenweg 282 - 1800 Vilvoorde
Tel. (02) 2 57 02 50 - Fax (02) 2 52 49 59

Canada
SCHROFF, INC.
111 Grangeway Avenue - Suite 504
Scarborough, Ontario M1H 3E9
Tel. (4 16) 2 89-27 70
Fax (4 16) 2 89-28 83

Switzerland
Rotronic AG
Grindelstraße 6 · 8303 Bassersdorf
Tel. (01) 8 38 12 12 · Fax (01) 8 37 00 74

Czech Republic
ZTC electronic
P.O. Box 34, 1 49 00 Praha 415
Tel. (02) 67 91 00 82/5 28
Fax (02) 67 91 06 41

Denmark
Knud Wexø 4 A/S
Skættekærret 11
Postbox 152 - 2840 Holte
Tel. 45 46 58 00 - Fax 45 46 58 01

Spain
CENVAL SA
Ulises 104 - 28043 Madrid
Tel. (01) 7 21 60 10 · Fax (01) 3 00 08 79

Finland
SCHROFF Scandinavia
Peräsimentie 1 - 03100 Nurmela
Tel. (9) 2 22 68 00 - Fax (9) 2 22 38 86

Hungary
NB Electronic Kft.
Kaszásdó u.2 · 1033 Budapest
Tel. (1) 4 39 50 55 - Fax (1) 2 50 00 20

Hong Kong
Alberta Electronic Co. Ltd.
Block C, 10/F Eldex Industrial Building
21 Matauwei Road, Hung Hom
Kowloon, Hong Kong
Tel. (852) 2 33 4-27 86
Fax (852) 2 330-16 51

Israel
Ram Nir Electronic
Packaging & Services
4th, Ben-Gurion St. - Nes-Ziona 74030
Tel. (08) 9 40 36 70 - Fax (08) 9 40 12 86

Ireland
New England
Technical Sales Ltd.
The diamond Malahide, Co. - Dublin
Tel. (01) 8 45 06 35 - Fax (01) 8 45 36 25

Norway
SCHROFF Scandinavia
Filial Norge
Bjørnerudveien 24 · 1266 Oslo
Tel. 22 75 33 40 - Fax 22 75 33 41

New Zealand
Mayer Krieg (N.Z.) Limited
Electronic & Electrical Components
34 C Hobill Avenue
Manukau City, Auckland
Tel. (09) 2 62 24 61 - Fax (09) 2 62 24 74

Portugal
ARESTEL S.A.
Componentes e Equipamentos
Electrónicos, S.A.
Pct. Proj. 4 Av. Mário Moutinho
Lote 1528 Cave - 1400 Lisboa
Tel. (01) 3 03 08 50 - Fax (01) 3 01 62 21

Poland
Ryzard Platek
SCHROFF Representative
Koncertowa 6/49
02-784 Warszawa
Tel. (48) 22-641 96 69
Fax (48) 22-641 96 69

Taiwan
LUMAX International Corp. Ltd.
Taichung Branch
10F-2, 20 Da-Long Road
TCC Building, Taichung
Tel. (886)-4-329-5957
Fax (886)-4-329-5845

Indonesia
PT Himalaya Everest Java
Jl. Daan Mogot No. 119, Blok C, 6-7
Jakarta 11470,
Tel. (62) 21-566-19 58
Fax (62) 21-566-17 33

Korea
ARA Electronics Co., Ltd.
105, Dangjeong-Dong; Kumpo City
Kyunggi-Do, 435-030
Tel. (82-343) 455-04 80
Fax (82-343) 455-46 10

Russia
PROSOFT
108, Profsojuznaya str., · 117437 Moscow
Tel. (095) 2 34 05 36 - Fax (095) 2 34 06 40

Slovenia
IC Elektronika d.o.o.
Votovcova 100 - PP 2514
1001 Ljubljana
Tel. (61) 1 65 31 50 25
Fax (61) 1 65 31 70 20

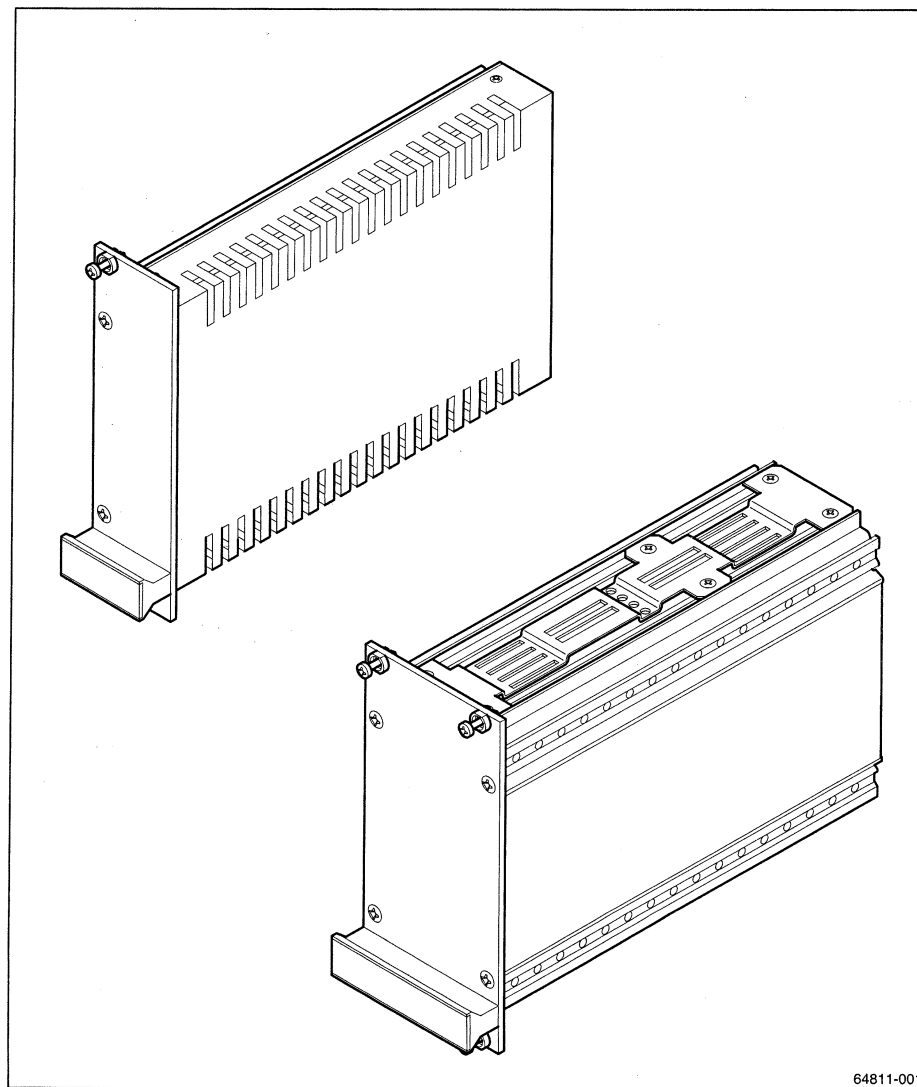
Thailand
Eletech International Corp. Ltd.
71, 71/1-4 Prayusarin Road
Bangchan Moo 4, minburi
Bangkok 10510
Tel. (66) 2-5 18-14 85
Fax (66) 2-5 17-83 97

South Africa
Fascom Electronics (Pty.) Ltd.
P.O. Box 76132 - Wendywood 2144
Tel. (011) 444-1001 - Fax (011) 444-1080

Montageanweisung
Kassetten/Teileinsätze
Schirmaubaugruppe

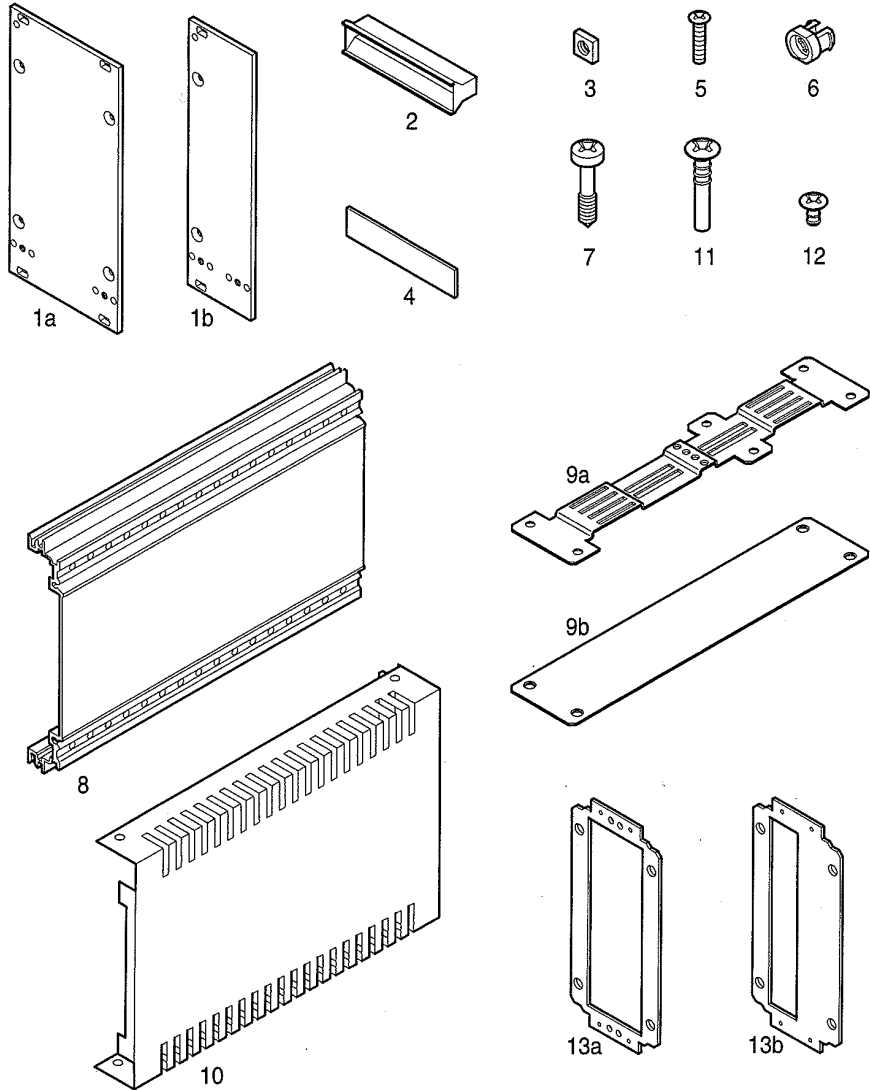
Assembly instructions
Plug-in units
Screened PIU

Instructions de montage
cassettes/tiroirs
Bloc C.I. blindé

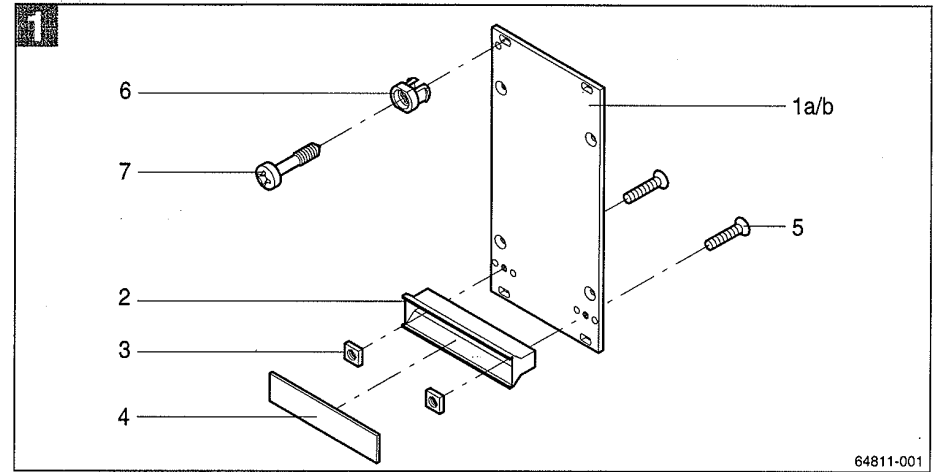


64811-001

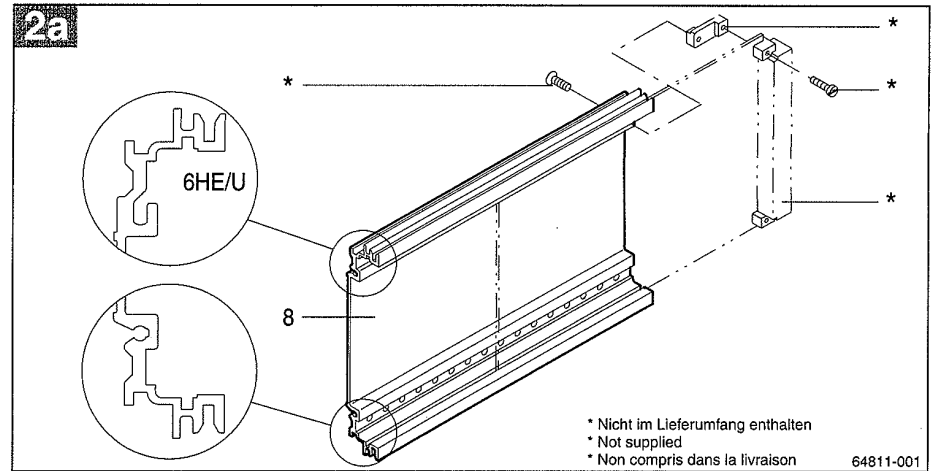
	1a	1b	2	3	4	5	6	7	8	9a	(9b)	10	11	12	13a	(13b)
Ausführung/Version/ Exécution ≥ 7 TE / 7 HP / 7 F	-	1x	1x	2x	1x	2x	2x	2x	1x	-	-	1x	4x	-	-	-
Ausführung/Version/ Exécution ≥ 10 TE / 10 HP / 10 F	1x	-	1x	2x	1x	2x	4x	4x	2x	2x	(2x)	-	8x	12x	1x	(1x)



64811-001

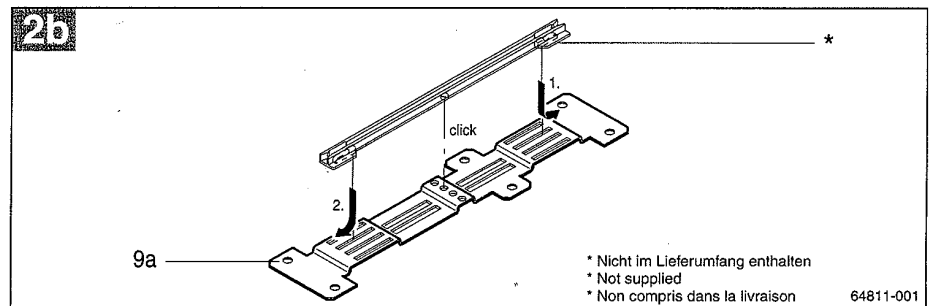


64811-001



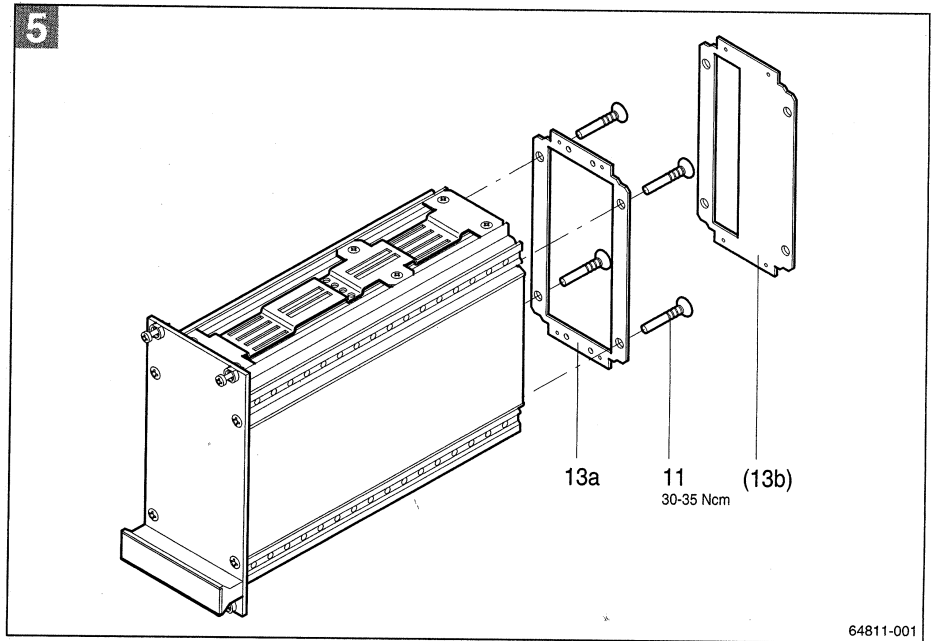
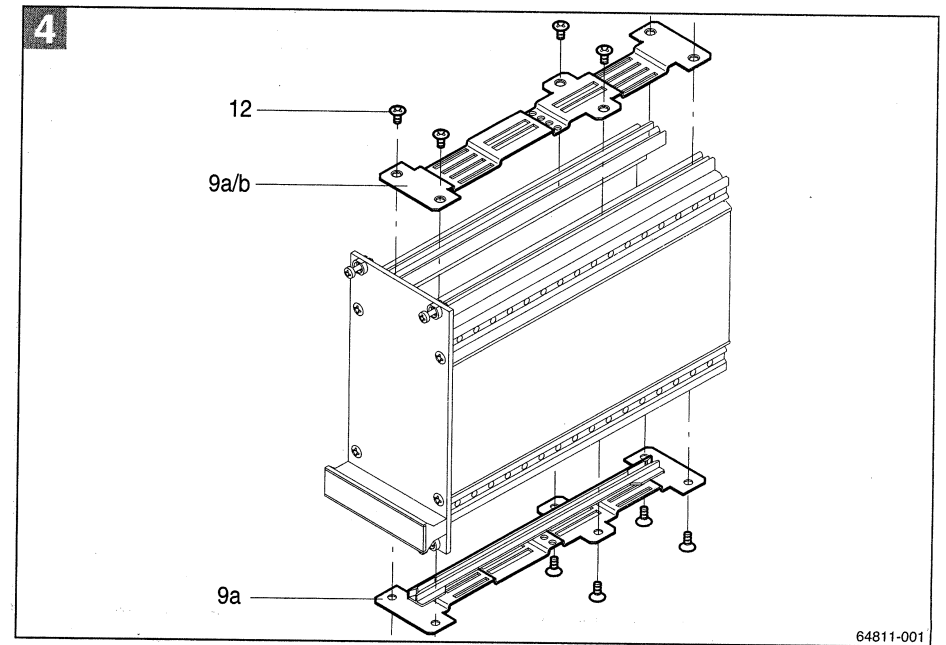
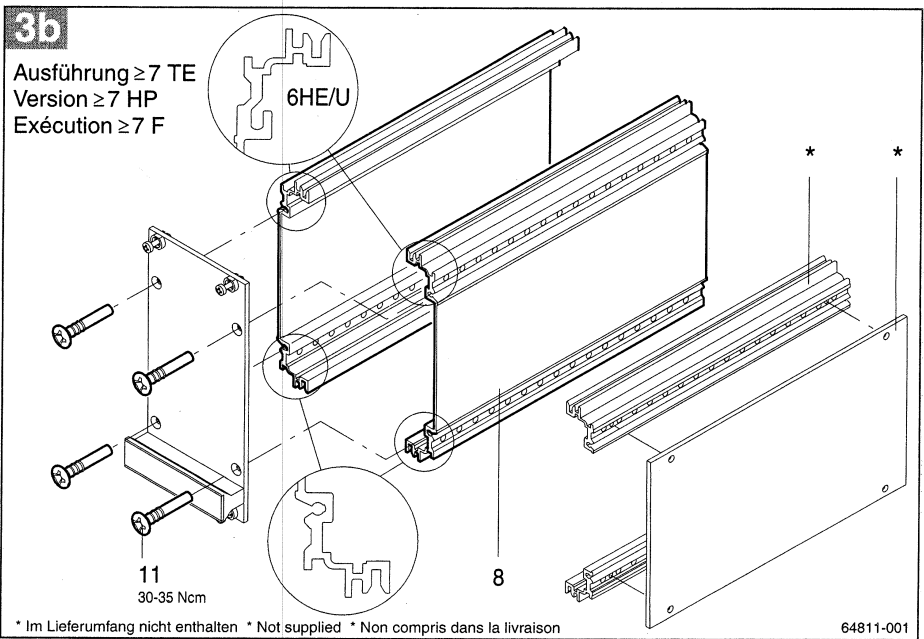
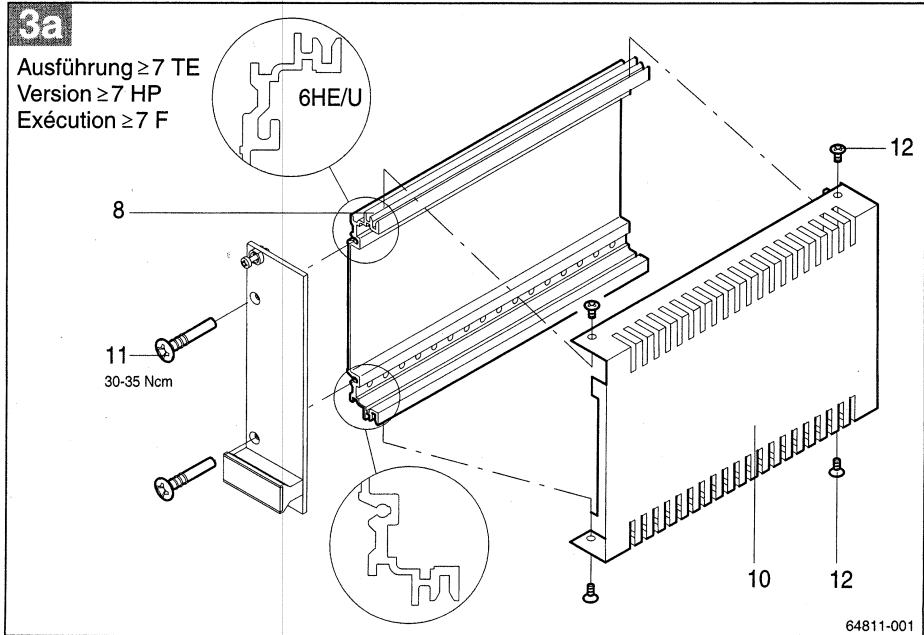
* Nicht im Lieferumfang enthalten
* Not supplied
* Non compris dans la livraison

64811-001



* Nicht im Lieferumfang enthalten
* Not supplied
* Non compris dans la livraison

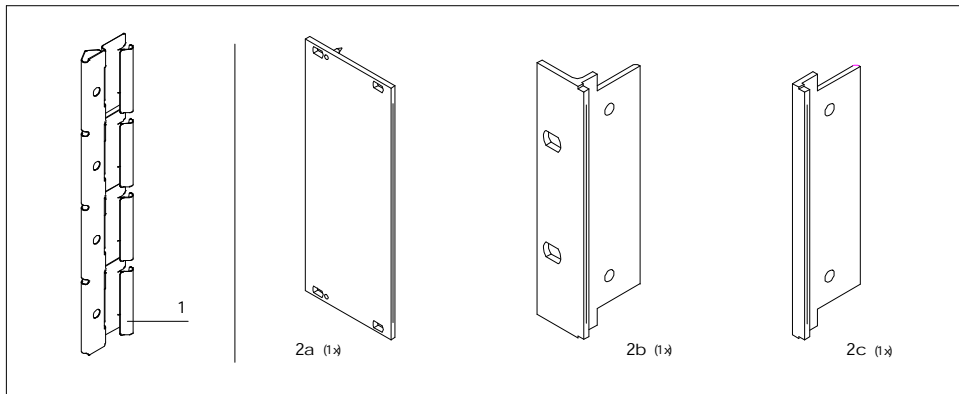
64811-001



**Montageanweisung
Schlitz-Kontaktstreifen**

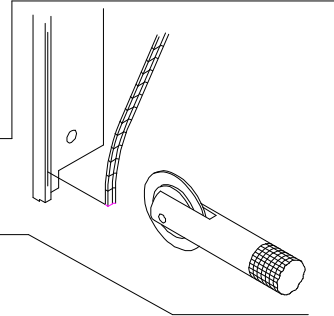
**Assembly instructions
Contact strip**

**Instructions de montage
Des joints HF en rainures**

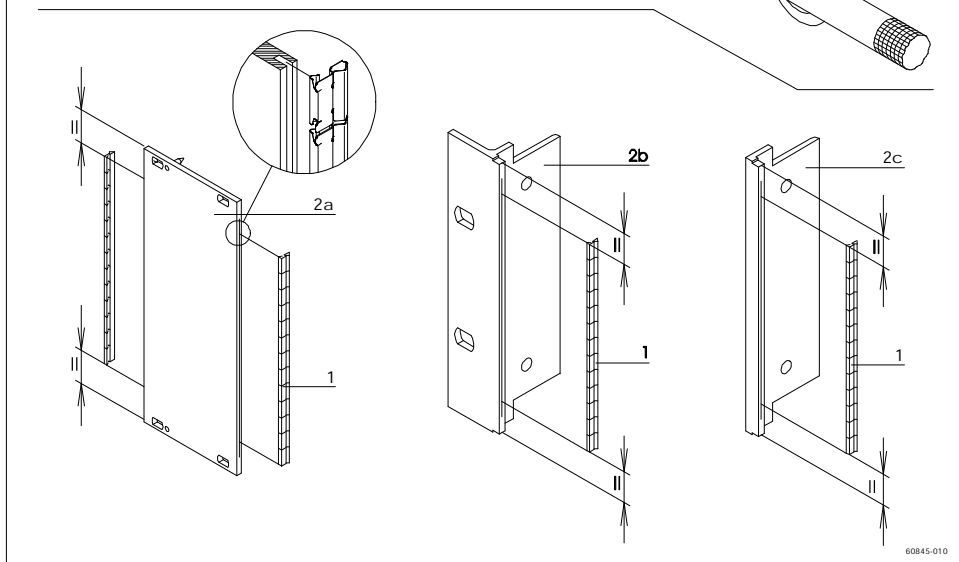


Pos	Item	Rep.
1	2*	
2x	a	
1x	b	
	c	

* Pos 2 ist im Lieferumfang nicht enthalten.
* Item 2 is not supplied.
* Rep. 2 non compris dans la livraison.



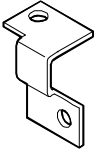
* Montagewerkzeug Nr 24560-270 empfohlen.
* Assembly tool, OrderNo. 24560-270 is recommended.
* O util de fixation recommande 24560-270.



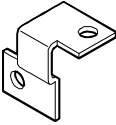
Montageanweisung
Leiterplattenbefestigung
Typ B

Assembly instructions
Printed board fastening
Type A

Instructions de montage
Fixation de carte
Type A



1a (1x)



1b (1x)



2 (2x)



3 (2x)

M 2.5 x 4

