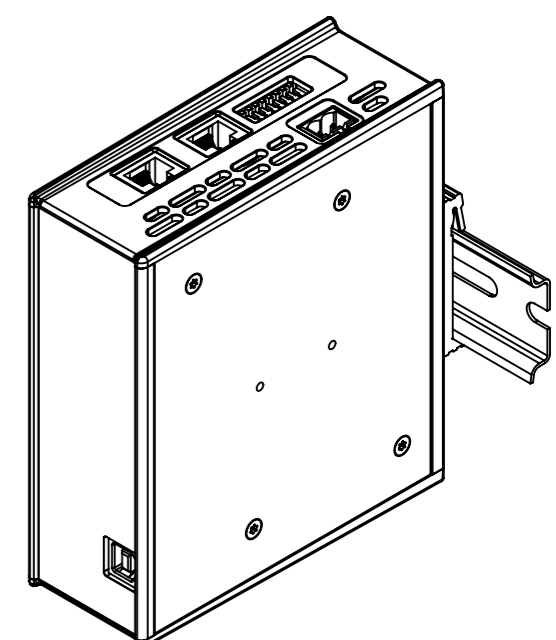
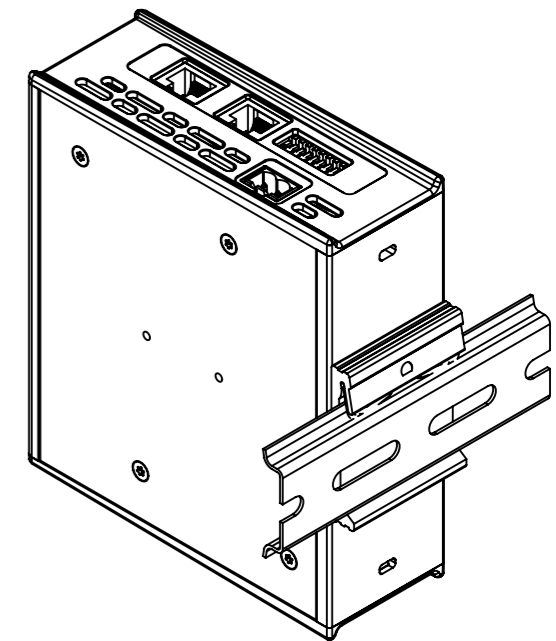
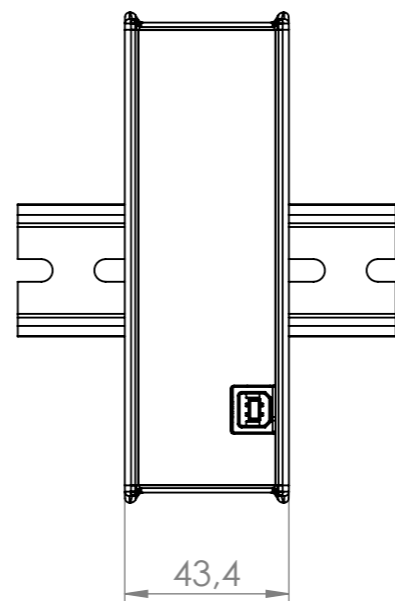
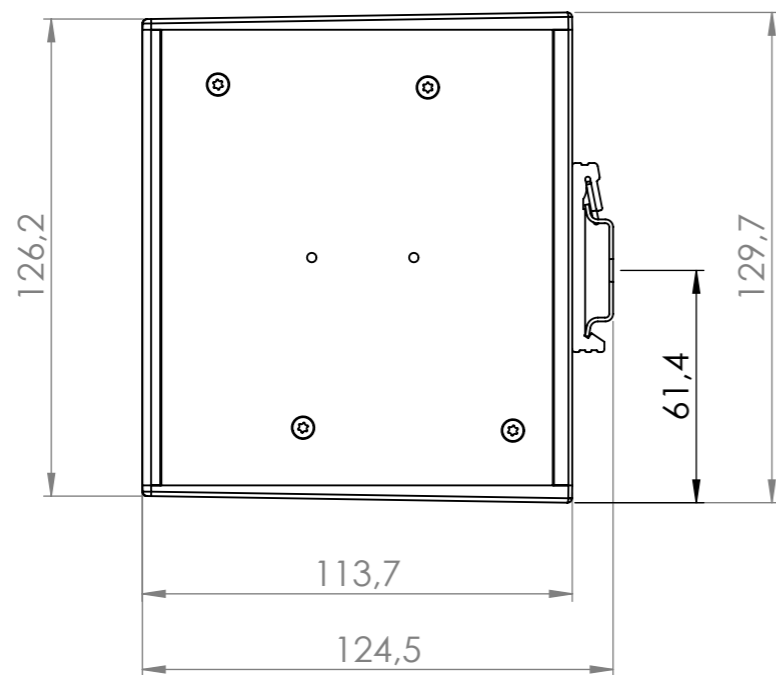



Rev.	Description	Date	Sign
------	-------------	------	------



The information contained in this drawing is the sole property of HMS Industrial Networks AB. Any reproduction in part or whole without the written permission of HMS Industrial Networks AB is prohibited.

Owner HMS Industrial Networks AB Stationsgatan 37 S-302 45 Halmstad Tel: +46 (0)35 - 17 29 00 Fax: +46 (0)35 - 17 29 09		Scale 1:2		Size	Weight	Finishing	
		UNLESS OTHERWISE SPECIFIED DIMENSIONS ARE IN MILLIMETERS. TOLERANCE: + / - 0,1		Title			
Sign:	Date:	Rev.	Sheet: 1 of 3	Document nr	HMS nr		