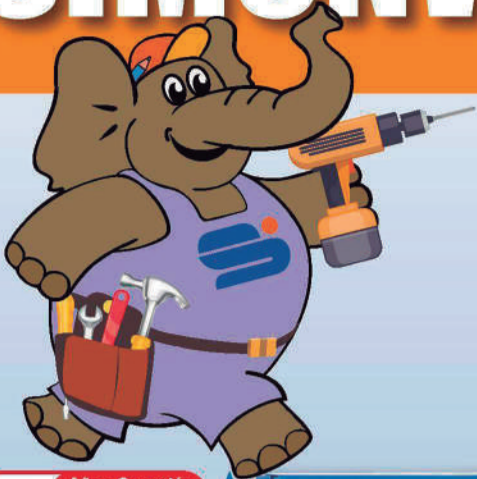


# SIMONWORK

# BT2 900 CABINET



## 144,5 x 91 x 61 cm 56.9" x 35.8" x 24.0"

**5** Años Garantía  
Years Garantie  
Jahre Garantie  
Ans Garantie  
Anos de Garantía  
**SIMONRACK**



- 1 x 90x60 cm (35.4"x23.6")
- 2 x 84 cm (33.1")
- 2 x 144 cm (56.7")
- 3 x 90 cm (35.4")
- 4 x 60 cm (23.6")
- 1 x 60x90 cm (23.6"x35.4")
- 1 x 90 cm (35.4")
- 4 x [Bolt]
- 1 x 31x53x90 cm (12.2"x20.9"x35.4")
- 2 x [Screw]
- 2 x [Screw]
- 2 x / 1 x [Screw]
- 12 x [Screw]
- 6 x [Screw]



**Simon  
Rack**  
SINCE 1964 - MANUFACTURER



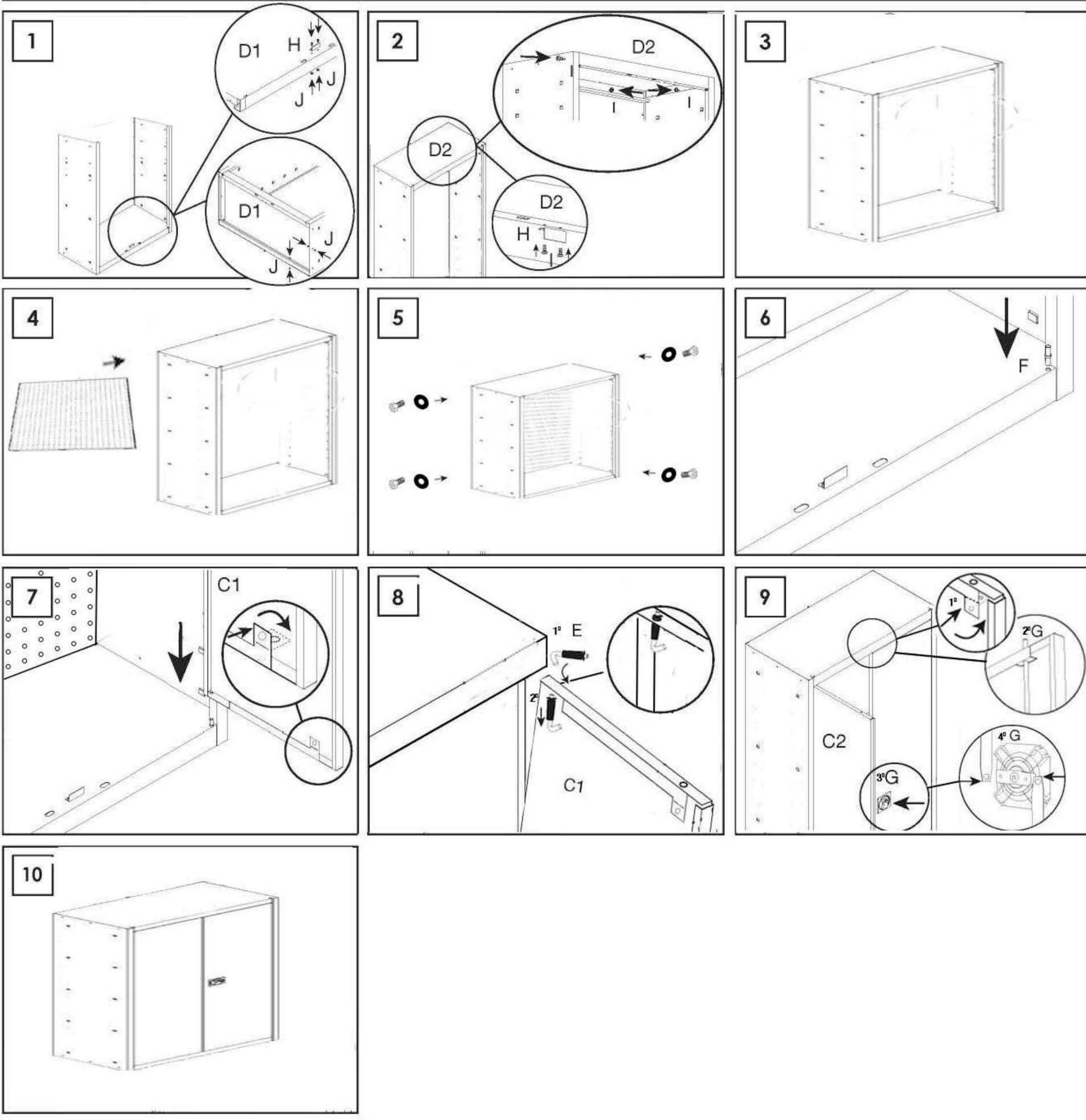
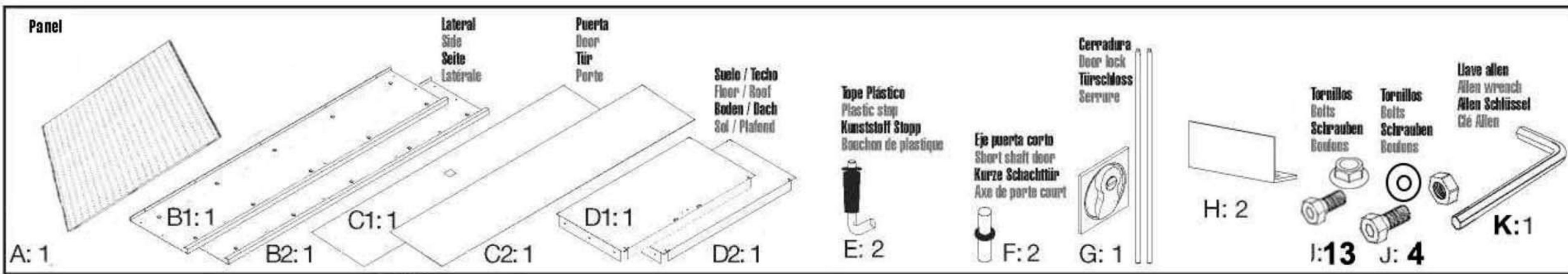
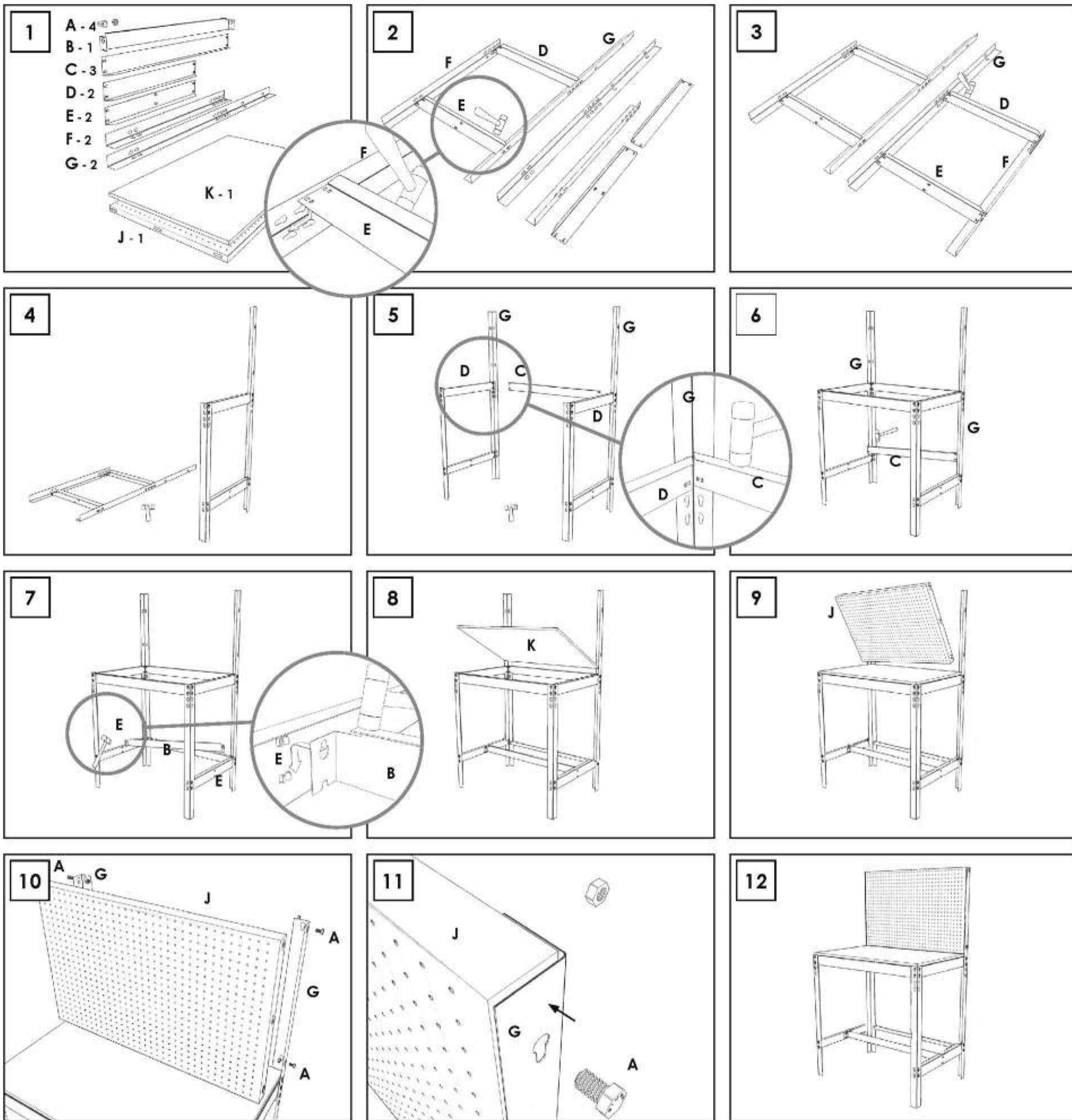
ESTANTERIAS SIMON S.L. B.50.556.463  
PG. ALFAMEN C/ POLIGONO C. Nº3  
ALFAMEN (ZARAGOZA)



[www.simonrack.com](http://www.simonrack.com)



INSTRUCCIONES  
INSTRUCTIONS  
ANLEITUNG  
INSTRUCTIONS



**SIMONCLASSIC**  
150 kg  
350 lb

**SIMONCLICK**  
400 kg  
900 lb

**SIMONTALLER**  
700 kg  
1550 lb

**SIMONAUTO**  
300 kg  
660 lb

**SIMONWORK**  
800 kg  
1800 lb

**SIMONLOCKER**

**SIMONOFFICE**  
275 kg  
600 lb

**SIMONHOME**  
150 kg  
350 lb

**SIMONGARDEN**  
600 kg  
1350 lb

**SIMONTITAN**

**SIMONINOX**

**SIMONINDUSTRIAL**  
**SIMONPALET**  
4500 kg  
9950 lb

**SIMONLEVER**

ALTILLOS Y PASILLOS ELEVADOS  
PLATFORMS AND MEZZANINES  
LAGERBÜHNEN • PLATES-FORMES ET MEZZANINES

\* Kg / lb por bandeja con carga uniformemente repartida  
Kg / lb per shelf uniformly distributed load  
Kg / lb pro fach bei gleichmäßig verteilter last  
Kg / lb par plateau avec charge uniformément répartie