
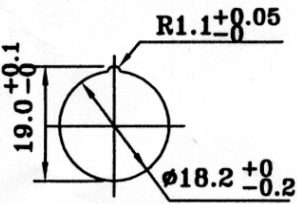

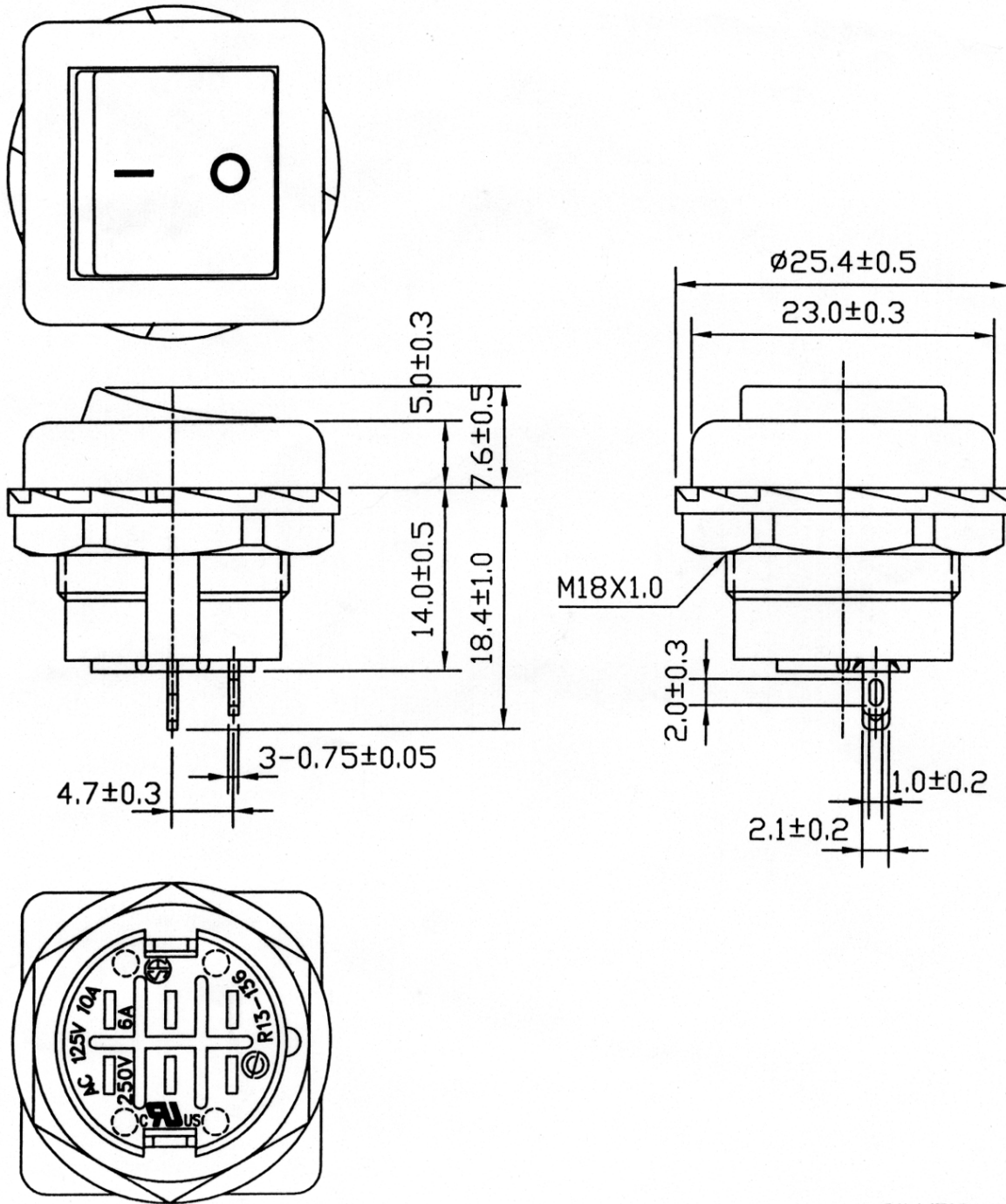


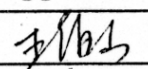

Order code	Manufacturer code	Description
75-0060	R13-136A BLACK	2 SPST ON-OFF ROCKER PANEL MNT SQUARE

	Page 1 of 2
The enclosed information is believed to be correct, Information may change 'without notice' due to product improvement. Users should ensure that the product is suitable for their use. E. & O. E.	Revision A 04/07/2003

Rating	10A 125V, 6A 250V AC 	Mount Hole	Circuit Structure
Contact R	50m ohm Max.		
Insulation R	DC 500V 100M ohm Min.		
Dielectric Strength	AC 1500V 1 minute		
Circuit	2P SPST ON-OFF		



C:\WD12\R13-136B-05

Drawing	Check	Approval	SCI No.		Model Name	
張曉斌			Customer No.		Model No.	R13-136A-05
04/18/02		4/18/02	Unit	mm	 SHIN CHIN INDUSTRIAL CO., LTD.	