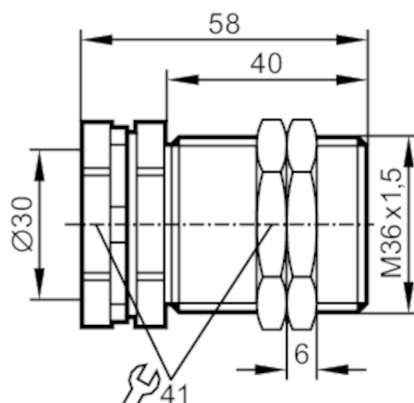


# E10743



## Mounting sleeve with end stop

FIXING/M30/BASIC/MS/END STOP



Application	
Design	with end stop
Mechanical data	
Weight [g]	192.7
Dimensions [mm]	M36 x 1.5
Thread designation	M36 x 1.5
Inside diameter [mm]	30
Materials	brass nickel-plated
Installation instruction	align the sensing face of the sensor to the right (see scale drawing)
Tightening torque [Nm]	20; (lock nuts: 40)
Accessories	
Accessories (supplied)	Nuts: 2, nickel-plated brass
Remarks	
Pack quantity	1 pcs.