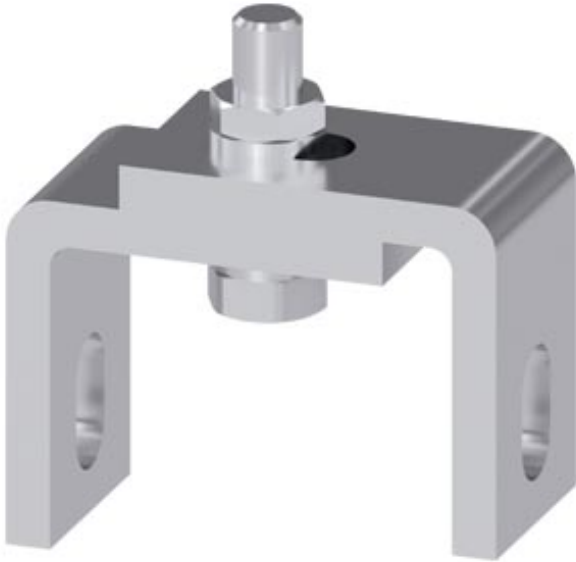


ACCESSORY FOR 3KC0 FS4 BRIDGING BAR FOR LOADSIDE CONNECTION 1 POLE FOR 3KC0 FS4 INCLUDES 1 PIECE



Model	
Product brand name	SENTRON
Product designation	Accessories for transfer switching equipment
Suitability for use	for 3KC0 MTSE, size 4
Product description	Connecting bridge for load-side connection, 1-pole, 1 unit

Connections	
Type of electrical connection / for main current circuit	flat connector
Height	94 mm
Width	40 mm
Depth	88.5 mm
Net weight	650 g

Declaration of Conformity	Test Certificates
---------------------------	-------------------



[Type Test Certificates/Test Report](#)

Further information

Information- and Downloadcenter (Catalogs, Brochures,...)

<http://www.siemens.com/lowvoltage/catalogs>

Industry Mall (Online ordering system)

<https://mall.industry.siemens.com/mall/en/en/Catalog/product?mlfb=3KC9418-0>

Service&Support (Manuals, Certificates, Characteristics, FAQs,...)

<https://support.industry.siemens.com/cs/ww/en/ps/3KC9418-0>

Image database (product images, 2D dimension drawings, 3D models, device circuit diagrams, ...)

http://www.automation.siemens.com/bilddb/cax_en.aspx?mlfb=3KC9418-0

CAX-Online-Generator

<http://www.siemens.com/cax>

Tender specifications

<http://www.siemens.com/specifications>

