

MCM

FILE NO.

27-440

REV.

DESCRIPTION

DRAWN / DATE

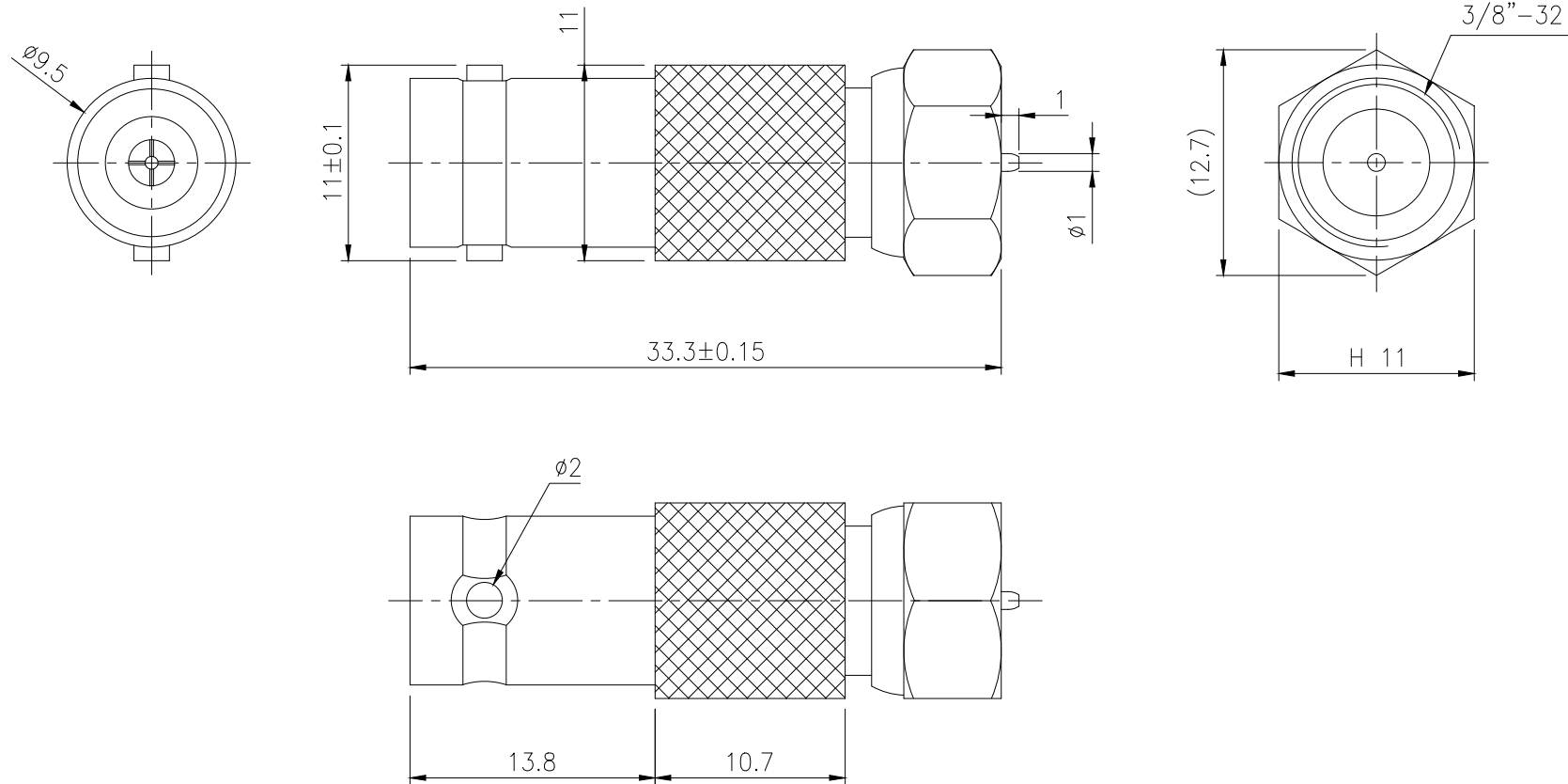
APPROVED / DATE

0

INITIAL RELEASE

YANG 10/15/2014

LISA 10/15/2014



[www.mcmelectronics.com](http://www.mcmelectronics.com)

DIMENSIONS ARE IN mm [INCH]	TOLERANCES ARE FRACTIONS DECIMALS ANGLES	MATERIAL	P/N			DRAWN YANG	DATE 10/15/2014
MOLD NO.	.X $\pm$ 0.20 [0.008]	FINISH	PROJECT NO.				
	.XX $\pm$ 0.12 [0.005]	COLOR	SCALE 2.5:1	SIZE A4	SHEET 1 OF 1		MC068
			BNC-Female to F-Male Adapter				