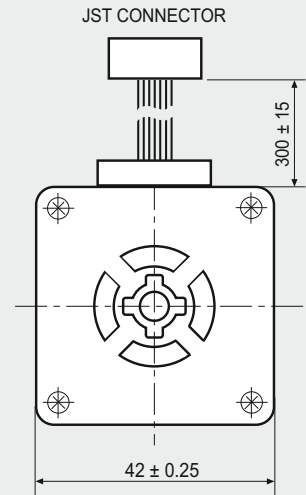
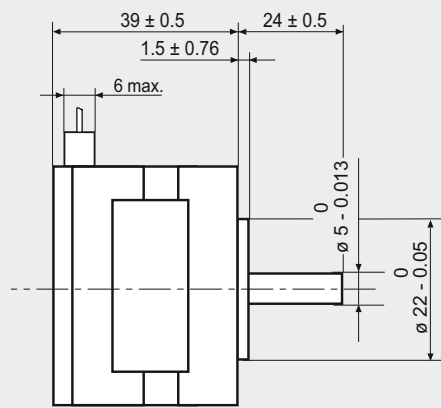
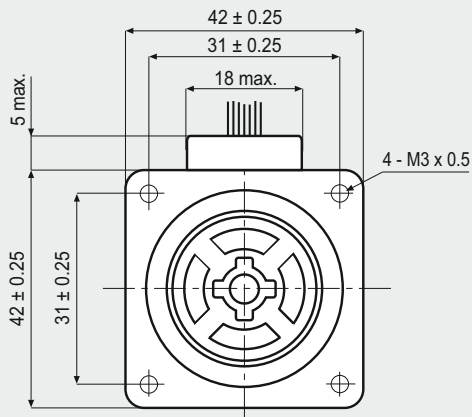


## Dimensions (Unit:mm)

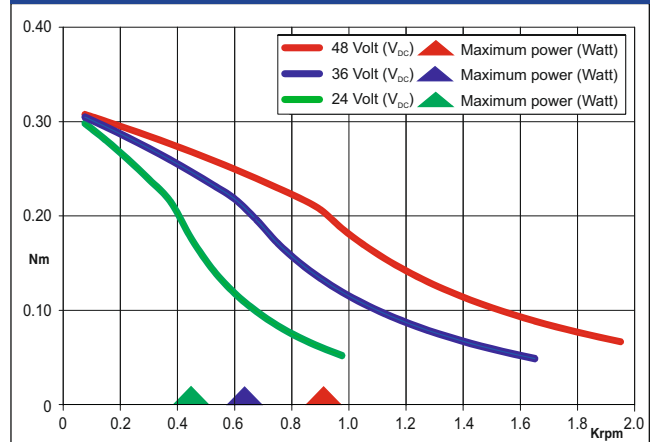


MOTOR CONNECTOR IS JST mod. EHR-6A  
6 POLES FEMALE.  
FOR CONNECTION USE JST  
mod. B6B-EH-A MALE CONNECTOR.

## FEATURES

| MODEL                    | 103-H5208-0483                         |                    |
|--------------------------|--|--------------------|
| BASIC STEP ANGLE         | 1.8° ± 0.09°                           |                    |
| BIPOLAR CURRENT          | (Amp)                                  | 0.9 <sup>(*)</sup> |
| UNIPOLAR CURRENT         | (Amp)                                  | 1.2                |
| RESISTANCE               | (Ohm)                                  | 2.9                |
| INDUCTANCE               | (mH)                                   | 3.4                |
| BIPOLAR HOLDING TORQUE   | (Ncm)                                  | 42                 |
| UNIPOLAR HOLDING TORQUE  | (Ncm)                                  | 30                 |
| ROTOR INERTIA            | (Kgm <sup>2</sup> x 10 <sup>-7</sup> ) | 56                 |
| THEORETICAL ACCELERATION | (rad x sec. <sup>-2</sup> )            | 71000              |
| BACK E.M.F.              | (V/Krpm)                               | 19                 |
| MASS                     | (Kg)                                   | 0.27               |
| LEADS CODE               | IV                                     |                    |

## TORQUE/SPEED CURVE



(\*)Bipolar series connection.

SANYO DENKI CO., Ltd (JAPAN)

