

R14MD – R18MD

Modular pressure regulators,
suitable for compressed air



FEATURES

Modular pressure regulator for inlet pressure up to 20 bar (290 psi).

Inlet and outlet connections 1/4" – F and 1/8" – F in the body.

Outlet pressure is controlled by a rubber diaphragm.

Adjusting knob for pressure regulation with lock system.

Overpressure relieving function.

Modular design to couple with same series: filter and lubricator.

Holes for wall mounting.

The product complies with the directive 97/23/CE PED.

Available on request:
ATEX 2014/34/EU

Available units composed of:
Filter + Regulator + Lubricator with wall mounting possibility.

SPECIFICATIONS

Regulator weight: ~0.3 kg (~0.66 lb)

Standard version operating temperature: -10 °C ÷ +50 °C (-4 °F ÷ +122 °F)

Main valve leakage classification: VI (bubble tight)

Flow coefficient: Kv= 0.6

G 1/8 port for outlet pressure gauge on both sides

MATERIALS

Body: zinc alloy casting

Bonnet: PA 6.6 / POM

Main valve spring: stainless steel AISI 302

Adjusting spring: C85 (not in contact with the fluid)

Diaphragm: NBR

O-Ring: NBR

Main valve gasket: NBR

ACCESSORIES

Ring-nut for panel or bracket mounting: P35013110304

Bracket for wall mounting (10 pieces): M14201

Not relieving version for gas and liquid

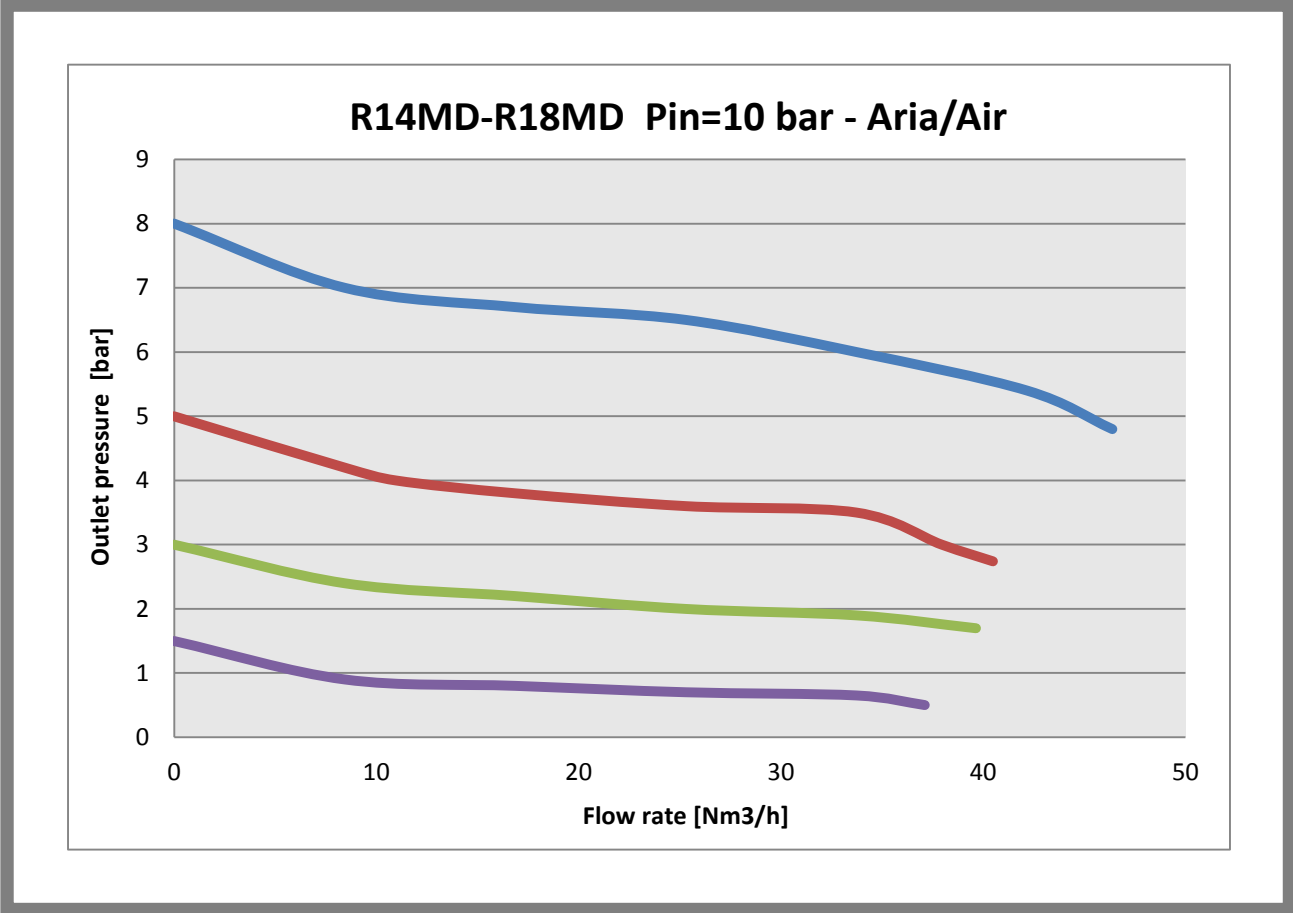
Gauge

Dome loaded version: outlet pressure to be controlled by a pilot pressure

SPARE PARTS

Complete kit: o-rings, complete main valve, diaphragm

flow charts



generating the product code

Reg.modulari micro LL			
AA BB CC DD E F GG			
AA	Attacchi / Connections	M0	R18MD G 1/8-F
		N0	R14MD G 1/4-F
		U0	R18MD 1/8" NPT-F
		V0	R14MD 1/4"NPT-F
BB	Pressione ingresso / Inlet pressure	C0	20 bar
CC	Intervallo uscita / Outlet range	A0	0,2 - 1,5 bar
		B0	0,3 - 3 bar
		D0	0,8 - 8 bar
		E0	1,5-15 bar
DD	Tipologia di fluido / Fluid type	01	Relieving
		97	NBR
		98	EPDM
		99	FPM
E	Pilotato / Pilot operated	N	Non pilotato
		P	Pilotato
F	Marchiato / Marked	I	ID
GG	Accessori / Accessories	00	Nessun accessorio

CODE COMPOSITION EXAMPLE

515# N0 C0 D0 01 N I 00

515#: Modular regulator LL

N0: Connection G 1/4 – F

C0: PS=20 bar (290 psi)

D0: Outlet pressure range 0,8 – 8 bar (11,6 – 116 psi)

01: Relieving version

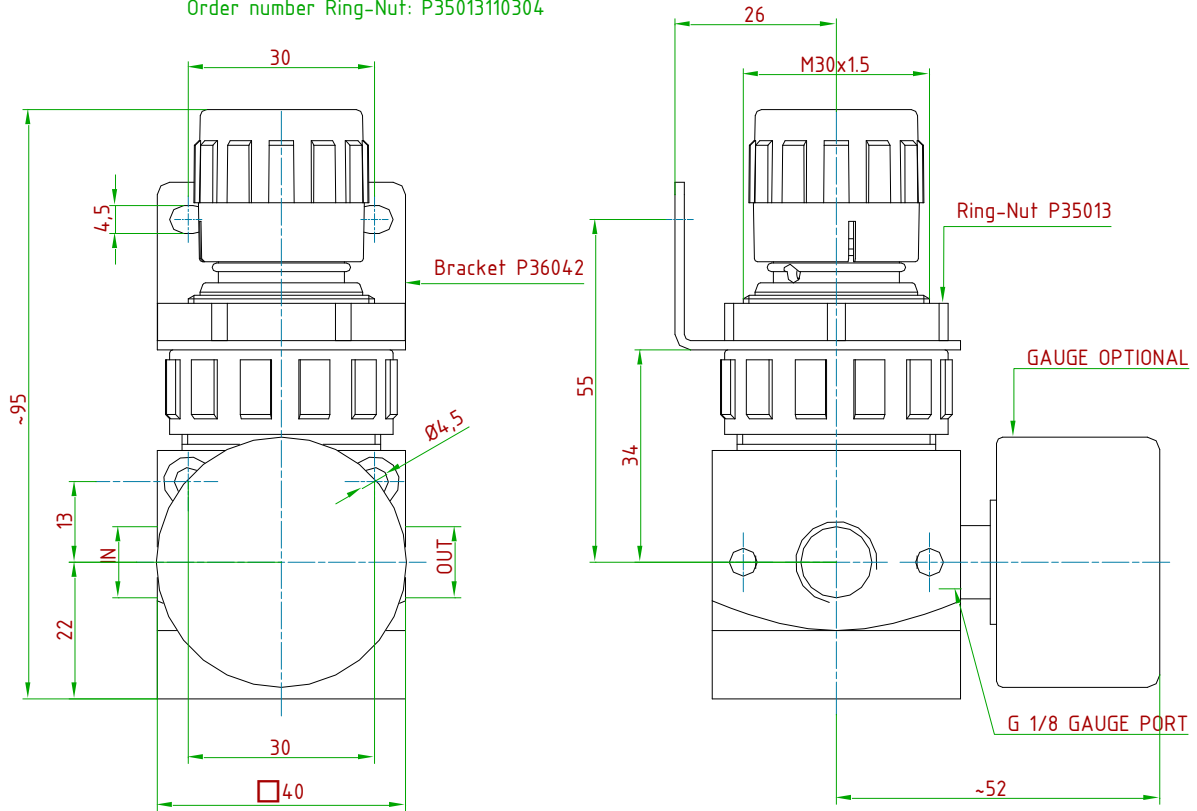
N: Not dome loaded

I: Insert Deal

00: No accessories

technical drawings (dimensions in mm)

Bracket and Ring-Nut to be ordered separately
 Order number bracket: M14201
 Order number Ring-Nut: P35013110304



TYPE	IN/OUT
R18 MD 1/8" GF	G 1/8"-F
R14 MD 1/4" GF	G 1/4"-F
R18 MD 1/8" NPTF	1/8"NPT-F
R14 MD 1/4" NPTF	1/4"NPT-F

Pout [bar]	GAUGE-ORDER NUMBER	GAUGE RANGE [bar]
0.2÷1.5	0ABMAA19	0÷2.5
0.3÷3	0ABMAA20	0÷6
0.5÷5	0ABMAA21	0÷12
0.8÷8	0ABMAA22	0÷16
1.5÷15	0ABMAA23	0÷25

ID Insert Deal Srl

Strada dei Boschi, 40
20852 Villasanta (MB) Italia
tel. +39 039 302035
info@idinsertdeal.com
www.idinsertdeal.com

ID Insert Deal si riserva il diritto di cambiare le specifiche del prodotto senza preavviso.
ID Insert Deal reserves the right to change and/or modify product specifications without prior notice.

Insert Deal non si assume alcuna responsabilità per la scelta, uso e manutenzione di qualsiasi prodotto. La responsabilità per l'ideale scelta, uso e manutenzione di qualsiasi prodotto ID rimane interamente a carico dell'acquirente.
Insert Deal does not assume responsibility for selection, use and maintenance of any products. Responsibility for proper selection, use and maintenance of any ID products remains entirely to the purchaser.

Riproduzione vietata. Tutti i diritti riservati; nessuna parte del presente documento può essere riprodotta senza autorizzazione di ID Insert Deal Srl.
Reproduction forbidden. All rights reserved; the hereby document can't be reproduced, also partially, without the authorization of ID Insert Deal Srl.

PRESSURE REGULATOR_515(R14MD-R18MD)_EN_01



Azienda con sistema di gestione qualità certificato.
certificato N° 50 100 9191
Company with certificated quality management system.
certificate N° 50 100 9191