

Category 6A Shielded Inline Coupler



Category 6A Shielded Inline Coupler (SGAC)

Features

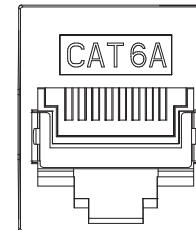
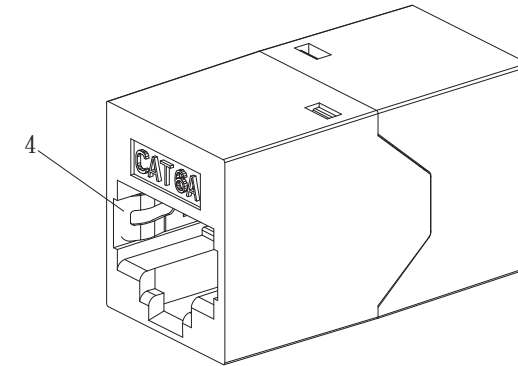
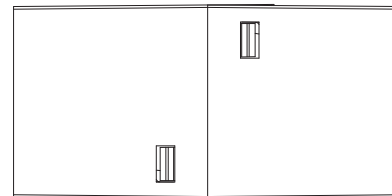
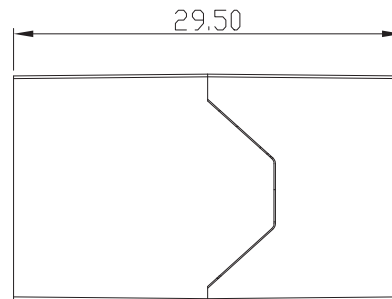
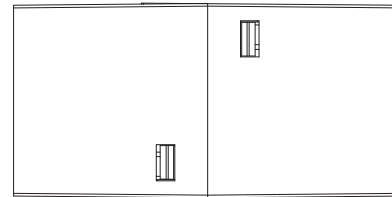
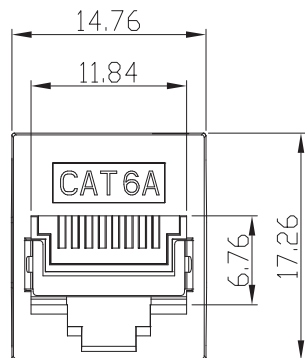
- Robust and compact design
- RJ45 complies with FCC part 68 standard / IEC 60603-7-1
- Jack insertion life > 750 mating cycles
- Operating temperature: -40°C ~ +60°C
- High performance data throughput Category 6A, ANSI/TIA/EIA-568-B.2-10 – can run 10GBASE-T at 100 metres
- Shielded

Specifications

- Weight: 16g approx.
- Housing: Nickel plated zinc alloy
- Contacts: 50µ"/1.27µm gold plated over nickel over phosphor bronze
- Dimensions: 29.50 x 17.26 x 14.76 mm approx.
- Earthing lug material: Stainless steel SUS304

ROHS Compliant

Code: SGAC



- ELECTRICAL
CURRENT RATING : 1.5A
DIELECTRIC WITHSTANDING VOLTAGE : 1000VDC
INSULATION RESISTANCE : 500 MΩ MIN.
CONTACT RESISTANCE : 20 mΩ MAX.
- MECHANICAL
(1) Materials: Zn alloy
(2) Cosmetic: Electroplating Ni + Sandblasting
(2) RJ45Jack Contact:Phosphor bronze, 50u" Gold Plating
(3) Cavity conforms to FCC rules and Regulations Part 68
(4) Earthing lug material: Stainless steel SUS304