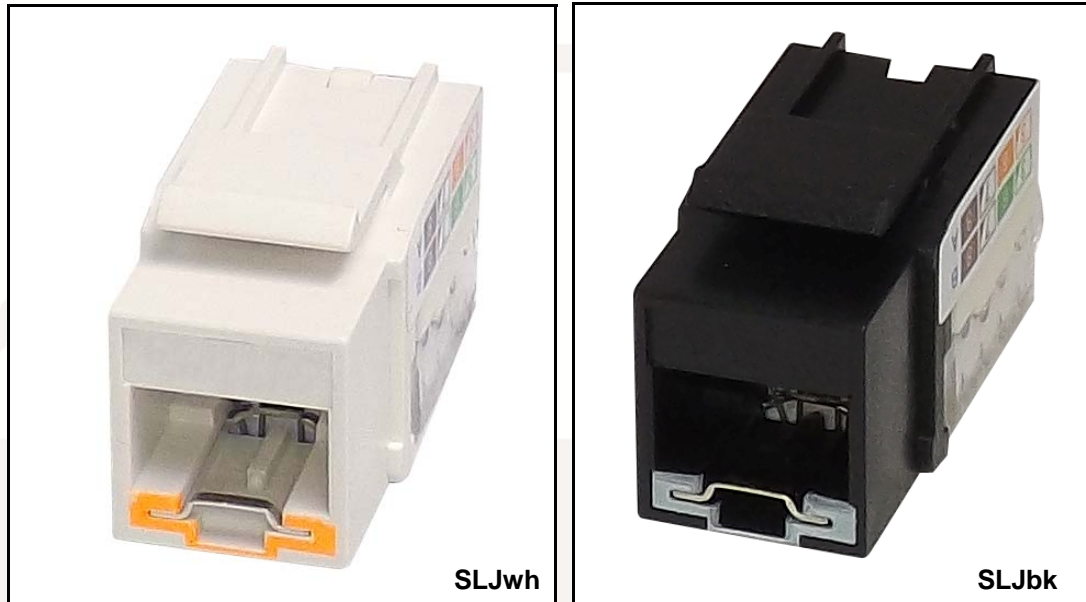


## **LOKJAC Category 6 tool-less locking keystone**



### **LOKJAC Category 6 tool-less locking keystone (SLJ\*) with key for LOKJAC range (TLJ)**

Our locking Category 6 jack offers a tool-less keystone solution for almost any Category 6 locking requirement. The locking mechanism insures maximum safety and security for your cables, allowing you to install and secure and, at a later date, release the locked cable as required.

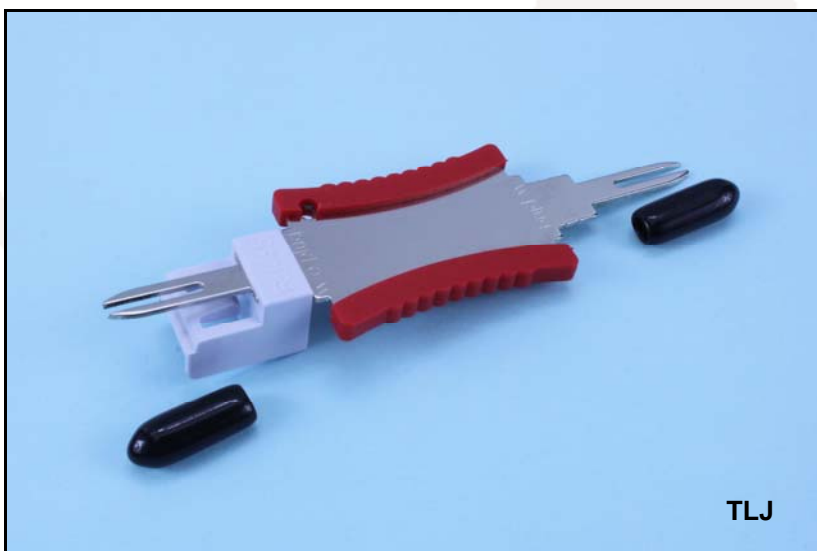
The LOKJAC also offers the facility of high speed tool-less installation, which saves the installer time on time-critical applications. The IDC's are designed with staggered pin gaps, resulting in excellent installation speed and retention force compared to standard tool-less IDC components.

#### ***Features***

- High performance data throughput, meets Category 6 data transfer rates at permanent link level
- Locked securely into place with LOKJAC key, with easy lock and release mechanism
- High speed tool-less installation
- Can be terminated with either 110 or LSA+ type tools, if conventional punch down termination is preferred.
- Standard format keystone fits a wide range of panels, adaptors and faceplates
- UTP socket to FCC68 standard
- Available in black and white versions to suit the required application
- Available in Panel mount and D UNIVERSAL versions:- SLJwhpm and SLJbkDpm.

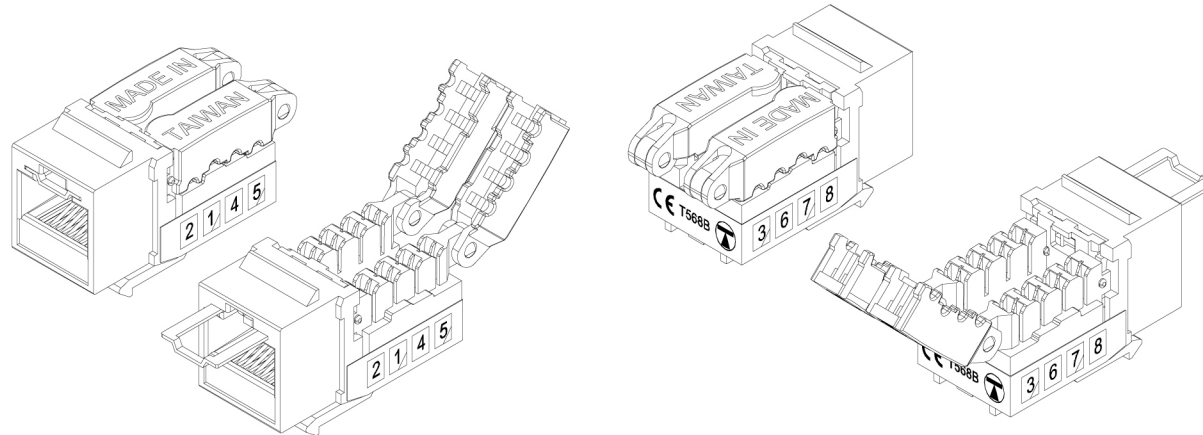
### Specifications

- Dimensions: 50 x 20 x 21mm (LxWxH)
- Weight: 10 grams
- Colours available: black, white
- Materials: 50µ"/1.27µm gold plating on contacts  
housing: ABS UL94V-0
- Key (TLJ): Dimensions: 84 x 25 x 12 mm (LxWxH)  
Weight: 10 grams
- Packaging: in individual polythene bag then in packs of 20

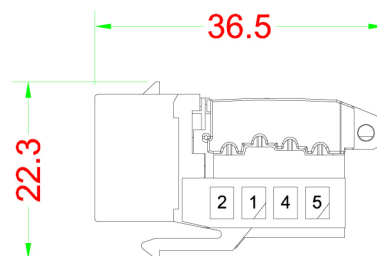
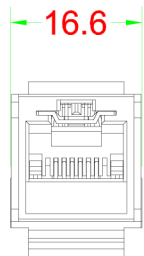


ROHS Compliant

Code: LOKJAC



**T568B**  
 1--WH/OR  
 2--OR  
 3--WH/GN  
 6--GN  
 5--WH/BL  
 4--BL  
 7--WH/BR  
 8--BR



**Performance:**

Meets C6 EIA/TIA 568B Standard.

**Materials:**

Body : Fireproof ABS UL-94V0  
 Jack : 8P8C 50μ"/1.27μm Gold Plating  
 PCB : FR-4 / UL-94V0  
 IDC Cap : Fireproof PC  
 IDC Body : Fireproof ABS UL-94V0  
 IDC Pin : Phosphor Bronze & Tinned  
 Lock Bar : Metal (SPCC)

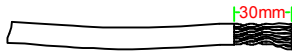
IDC Description : For 22-26 AWG.  
 For 110 or Krone punch-down Tool  
 Toolless (when use IDC cap directly)

**Electrical Specifications:**

Insulation Resistance : 500M ohms (min.)  
 Contact Resistance : 20m ohms (max.)  
 Current Rating : 1.5 Amps .  
 DC Resistance : 0.1 ohms (max.)

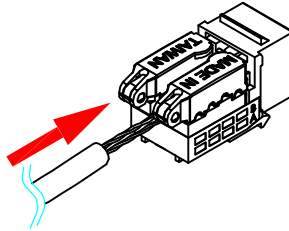
# LOKJAC Assembly Instructions

## Step 1



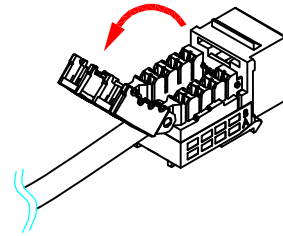
Strip around 30mm of cable PVC jacket.

## Step 2



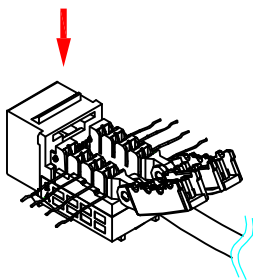
Place the cable between the two IDC rows

## Step 3



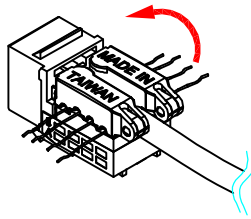
Open cable retention caps

## Step 4



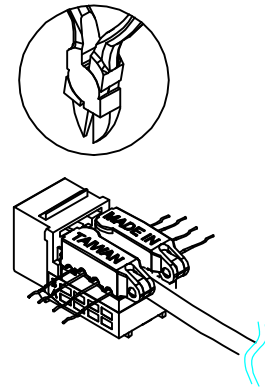
Place the cores onto the IDC gaps following the colour code

## Step 5



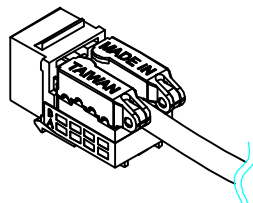
Press down cable retention caps

## Step 6



Cut off spare wires

## Step 7



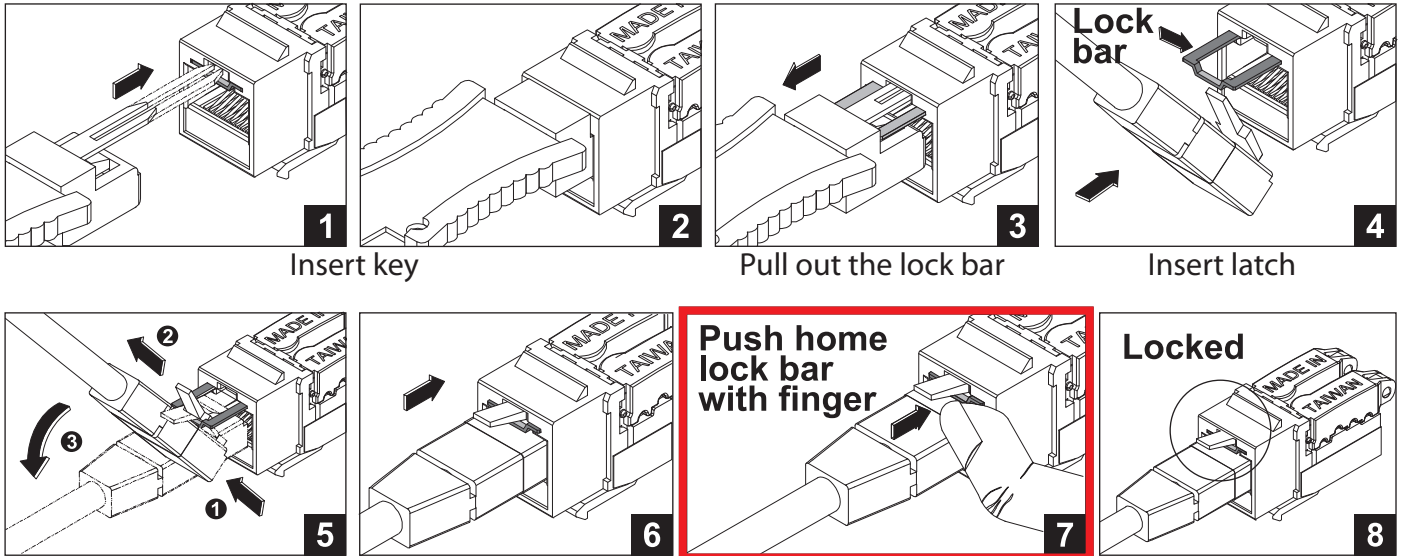
Completed.



# LOKJAC Instruction Manual

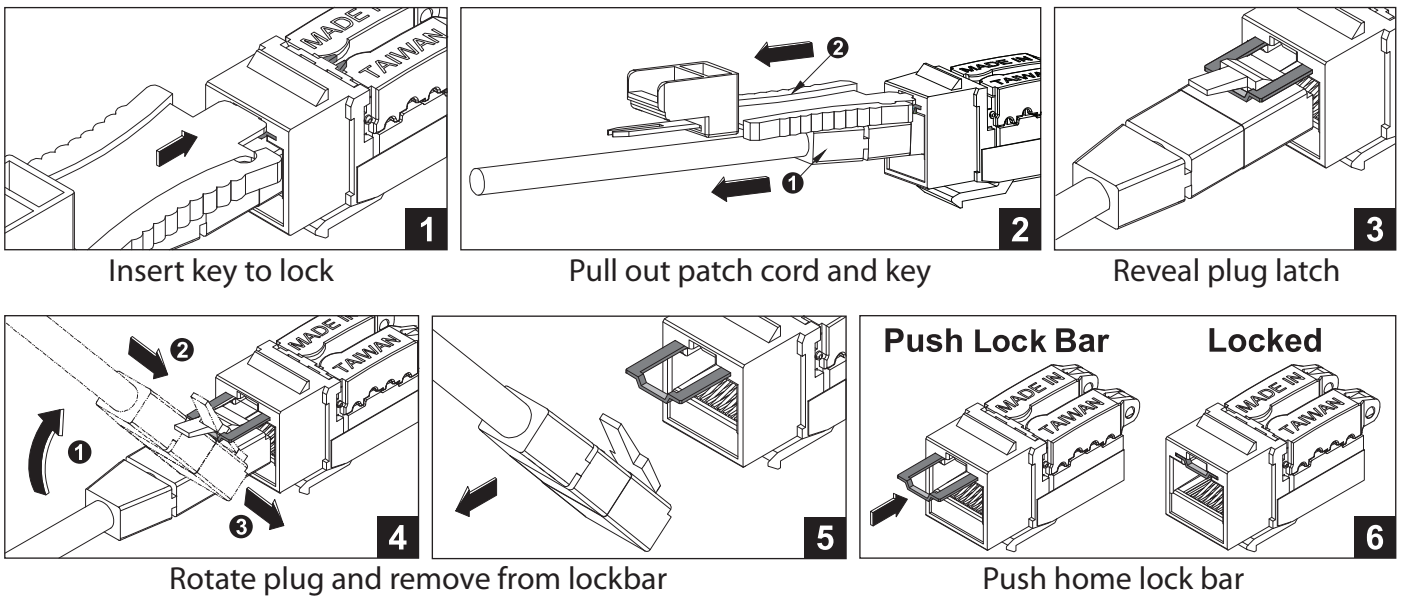


## To lock the plug

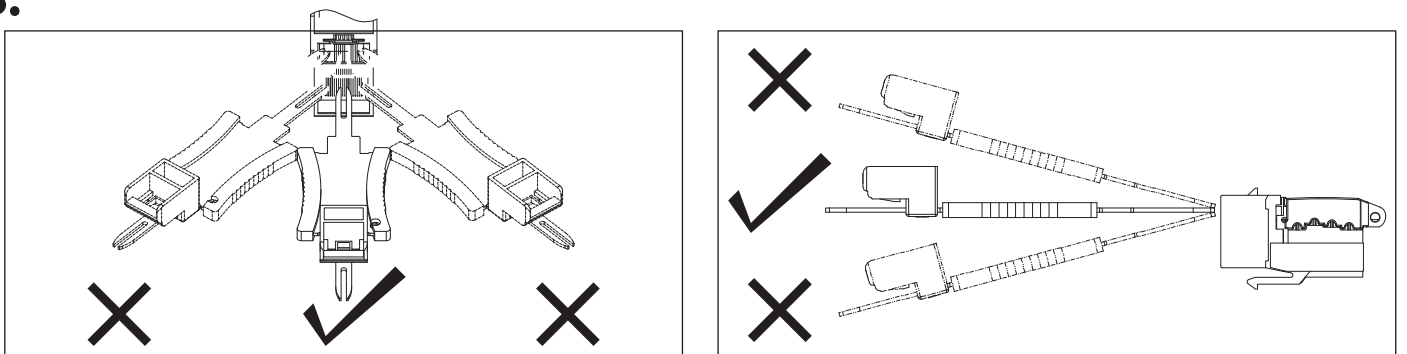


**\*PLUG IS NOT SECURE UNTIL LOCKBAR IS PUSHED HOME\***

## To release the plug



**NB.**



Key must be inserted perpendicular to the socket