

**PLEASE CHECK WWW.MOLEX.COM FOR LATEST PART INFORMATION**

**Part Number:** [0003062092](#)  
**Status:** **Active**  
**Overview:** Standard .062" Pin and Socket Power Connectors  
**Description:** 1.57mm Diameter Standard .062" Pin and Socket Plug Housing, 9 Circuits, without Mounting Ears, Natural

**Documents:**

[3D Model](#) [Packaging Specification PK-1625-003-001 \(PDF\)](#)  
[Drawing \(PDF\)](#) [RoHS Certificate of Compliance \(PDF\)](#)  
[Product Specification PS-02-06-001 \(PDF\)](#)

**Agency Certification**

CSA LR19980  
 UL E29179

**General**

Product Family Crimp Housings  
 Series [1625](#)  
 Application Power, Wire-to-Wire  
 Comments Polarized to Mating Part  
 Overview [Standard .062" Pin and Socket Power Connectors](#)  
 Product Name Standard .062"  
 UPC 800753615274

**Physical**

Breakaway No  
 Circuits (maximum) 9  
 Circuits Detail 3x3  
 Color - Resin Natural  
 Flammability 94V-2  
 Gender Plug  
 Glow-Wire Capable No  
 Keying to Mating Part None  
 Lock to Mating Part Yes  
 Material - Resin Nylon  
 Net Weight 1.807/g  
 Number of Rows 3  
 Packaging Type Bag  
 Panel Mount No  
 Pitch - Mating Interface 3.68mm  
 Pitch - Termination Interface 3.68mm  
 Polarized to Mating Part Yes  
 Stackable No  
 Temperature Range - Operating -40° to +105°C

**Electrical**

Current - Maximum per Contact 5.0A

**Solder Process Data**

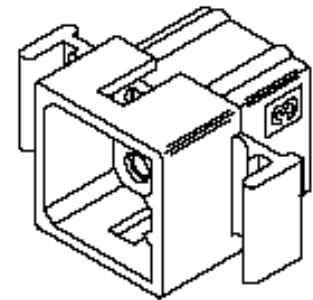
Lead-freeProcess Capability N/A

**Material Info**

Engineering Number 1625-9P1

**Reference - Drawing Numbers**

Packaging Specification PK-1625-003-001  
 Product Specification PS-02-06-001  
 Sales Drawing 16250900-SD-000



Series image - Reference only

**EU ELV**

**Not Relevant**

**EU RoHS**

**Compliant**

**REACH SVHC**

Not Contained Per -  
 ED/61/2018 (27 June  
 2018)

**Halogen-Free**

**Status**

**Low-Halogen**

For more information, please visit [Contact US](#)

China ROHS

ELV

RoHS Phthalates

**China RoHS**

Green Image

Not Relevant

Not Contained

**Search Parts in this Series**

[1625 Series](#)

**Mates With**

[03-06-1092](#)

**Use With**

Female Crimp Terminals [1561](#) , [4559](#) , [4529](#) , [2190](#) , [2189](#) , [1787](#) , [1855](#) . Male Crimp Terminals [1560](#) , [1786](#) , [1854](#) . 1778 Male PC Tail Terminals. [1779](#) Female PC Tail Terminals

This document was generated on 10/26/2018

**PLEASE CHECK [WWW.MOLEX.COM](http://WWW.MOLEX.COM) FOR LATEST PART INFORMATION**